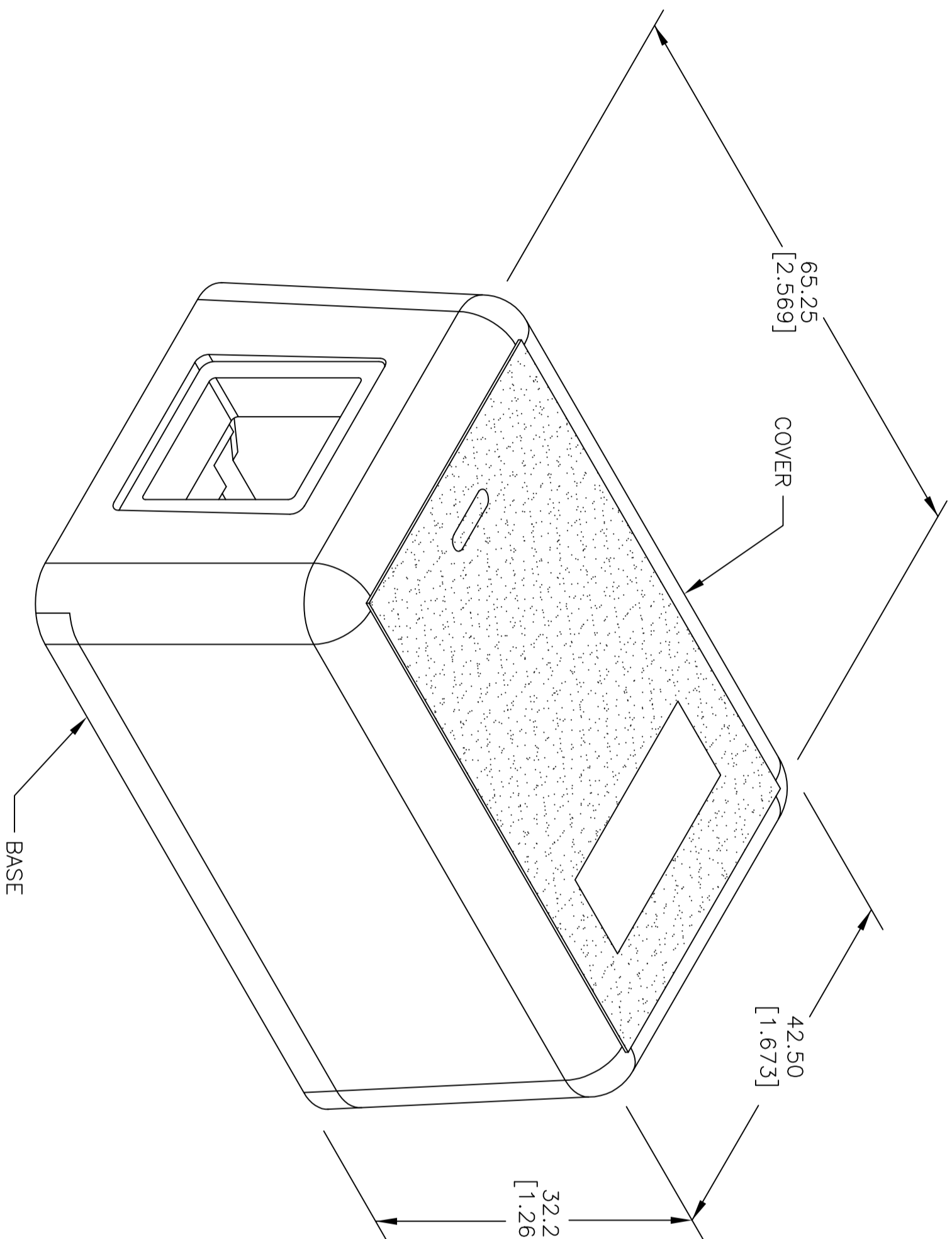


REVISIONS			
P	LR	DESCRIPTION	DATE
C		REV: 40033622MCO	29SEP2016
			GG
			LS

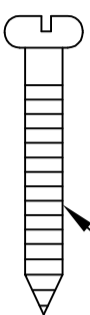
65.25
[2.569]

42.50
[1.673]

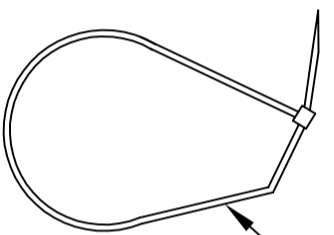
32.20
[1.268]



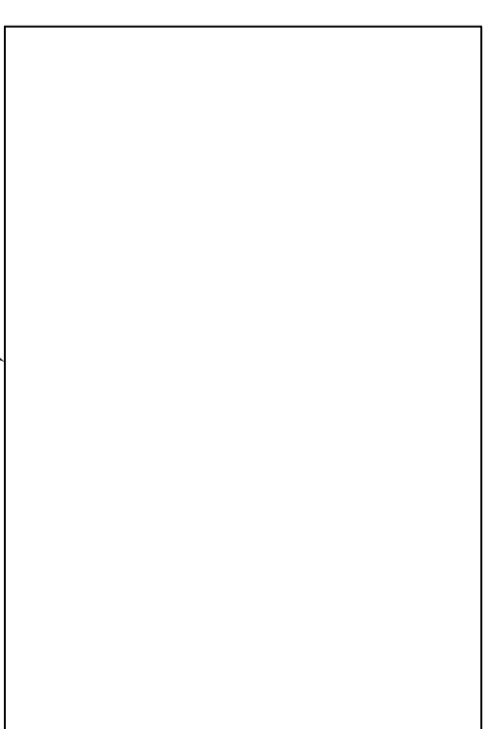
COMBINATION HEAD SCREW
SELF TAPPING 6 X 20mm
QUANTITY 2



CABLE TIE
QUANTITY 1



DOUBLE SIDED FOAM TAPE
QUANTITY 1



1 MATERIAL: BASE AND COVER – ABS MOLDING
COMPOUND UL94V-0. SEE TABLE FOR COLOR.
CABLE TIE – NYLON
SCREWS – ZINC PLATED CARBON STEEL.

2. PACKAGED 1 KIT PER POLYBAG.
3. ALL DIMENSIONS SHOWN ARE MAXIMUM.

ALPINE WHITE	1-1116697-3
ELECTRIC IVORY	1-1116697-1
NEMA GRAY	1116697-4
BLACK	1116697-2
LIGHT ALMOND	1116697-1
COLOR	PART NUMBER

COMMSCOPE, INC.

KIT, SINGLE PORT MODULAR JACK BOX

1116697

THIS DRAWING IS A CONTROLLED DOCUMENT.

DIMENSIONS: mm [INCHES]

0 PLG

2 PLG

3 PLG

4 PLG

FINISH

ANGLES

1

1

DMN: G. GARRETT 17AUG99

CHK: G. BOWMAN 17AUG99

APPD: G. BOWMAN 17AUG99

PRODUCT SPEC

APPLICATION SPEC

WEIGHT

CUSTOMER DRAWING

SIZE	CODE	DRAWING NO	RESTRICTED TO
A2	00779	1116697	

SCALE 2:1 SHEET 1 OF 1 REV C