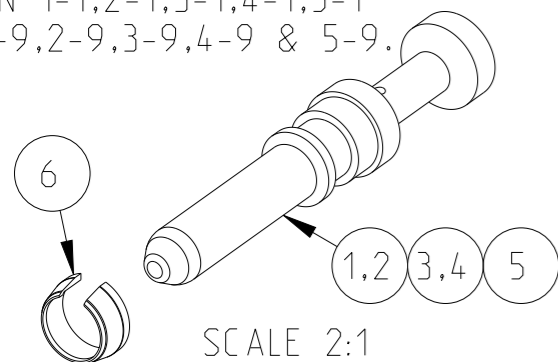
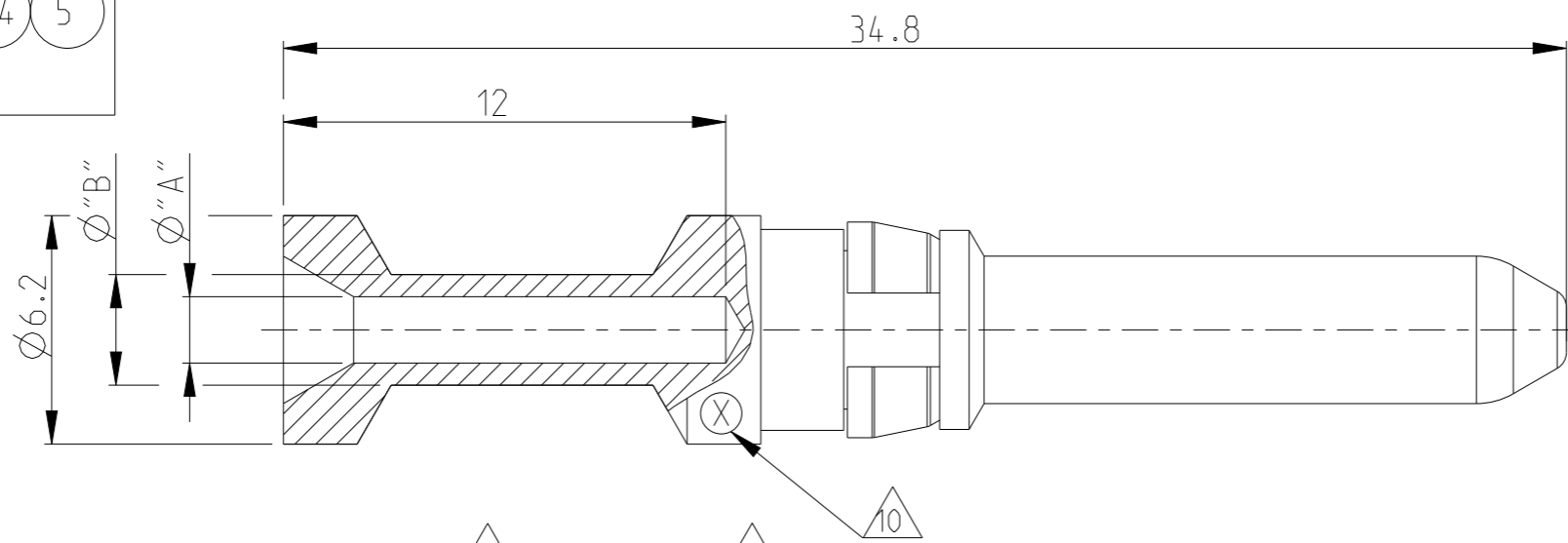


P	LTR	DESCRIPTION	DATE	DWN	APVD
A7		ECR-23-165772	09FEB2023	RK	JB

PN 1-1,2-1,3-1,4-1,5-1  
1-9,2-9,3-9,4-9 & 5-9.



△12 OBSOLETE



Notes

- △1 MATERIAL: BRASS
- △2 FINISH SILVER PLATING: 2µm Ag MIN. OVER Cu
- △3 ASSEMBLY WEIGHT SEE TABLE. VOLUME: 479mm<sup>3</sup> (APPROX.)
- △4 PACKAGING:  
25 PIECES IN A POLY-BAG AND CARTON
- 5 SUITABLE SOCKET CONTACT: PN 1108756
- 6 SUITABLE INSERTS: SERIES HSK
- 7 SUITABLE CRIMPING TOOL: PN 1-1105850-8
- 8 SUITABLE INSERTION TOOL: PN 0-1102855-6
- 9 SUITABLE EXTRACTION TOOL: PN 0-1102855-8
- △10 CROSS-SECTION MARKING
- 11 STANDARDS: DIN EN 61984, DIN EN 60664-1

										△12	△12								6
5-9	4-9	3-9	2-9	1-9	5-1	4-1	3-1	2-1	1-1		Ni	CLIP	-	-	-	-	-	-	6
1	1	1	1	1	1	1	1	1	1										
					1							PIN CONTACT	10	0.0041	4.35	5.9	8	12	5
	1					1						PIN CONTACT	6.0	0.0041	3.5	4.9	7	12	4
		1					1				Ag	PIN CONTACT	4.0	0.0041	2.85	3.9	6	12	3
			1					1			△2	PIN CONTACT	2.5	0.0039	2.2	3.2	5	12	2
				1					1			PIN CONTACT	1.5	0.0040	1.8	3.0	4	12	1
												[MM <sup>2</sup> ]			"A"	"B"	CROSS-SECTION MARKINGS	(MM)	ITEM NO
△4	△4	△4	△4	△4	△4	△4	△4	△4	△4	△4	PLATING	DESCRIPTION	CROSS SECTION	WEIGHT IN (Kg)	DIMENSIONS		△10	STRIPPING-LENGTH	
														△3					

THIS DRAWING IS A CONTROLLED DOCUMENT.

DWN SCHWEIGER 03Mar2008

CHK H.BRAUN 03Mar2008

APVD T. SCHNURPFIL 03Mar2008

PRODUCT SPEC 108-74004

APPLICATION SPEC 114-74003

WEIGHT -

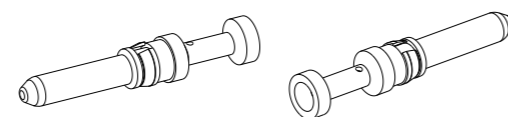
CUSTOMER DRAWING



NAME  
PIN CONTACT  
SERIES HSK

SIZE A3 CAGE CODE 00779 DRAWING NO. C=1108757 RESTRICTED TO -

SCALE 5:1 SHEET 1 OF 1 REV A7



SCALE 1:1

DIMENSIONS:		TOLERANCES UNLESS OTHERWISE SPECIFIED:	
mm		n. ISO 2768-mS	±
		b. DIN 16901	±
		0 PLC	±
		1 PLC	±
		2 PLC	±
		3 PLC	±
		4 PLC	±
		ANGLES	±
MATERIAL		FINISH	
△1		△2	