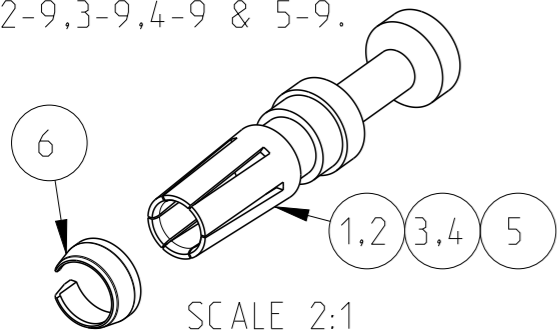


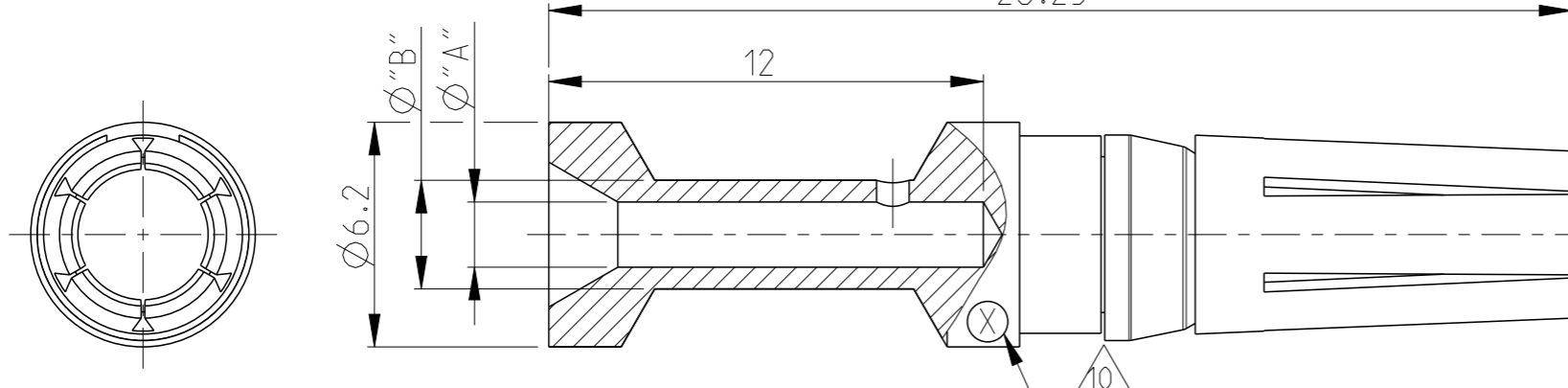
PN 1-1,2-1,3-1,4-1,5-1
1-9,2-9,3-9,4-9 & 5-9.



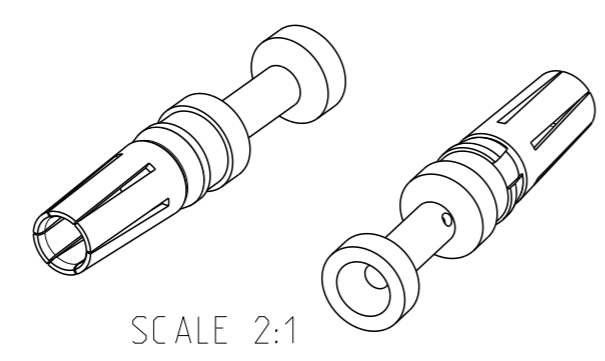
△ OBSOLETE

Notes

- 1 MATERIAL: BRASS
- 2 FINISH SILVER PLATING: 2µm Ag MIN. OVER Cu
- 3 ASSEMBLY WEIGHT SEE TABLE. VOLUME: 479mm³ (APPROX.)
- 4 PACKAGING:
25 PIECES IN A POLY-BAG AND CARTON
- 5 SUITABLE SOCKET CONTACT: PN 1108756
- 6 SUITABLE INSERTS: SERIES HSK
- 7 SUITABLE CRIMPING TOOL: PN 1-1105850-8
- 8 SUITABLE INSERTION TOOL: PN 0-1102855-6
- 9 SUITABLE EXTRACTION TOOL: PN 0-1102855-8
- 10 CROSS-SECTION MARKING
- 11 STANDARDS: DIN EN 61984, DIN EN 60664-1



| PLATING | DESCRIPTION | CROSS SECTION | WEIGHT IN (Kg) | DIMENSIONS | | CROSS-SECTION MARKINGS | STRIPPING-LENGTH (MM) | ITEM NO | | | | | | | | | | | |
|----------|--------------------------------|---------------|-------------------------------|------------|-------------------------------|------------------------|---------------------------------|---------|---------------------------------|--------------------|--------------------------------|-----|-------------------------------|------|-------------------------------|----|---------------------------------|----|---------------------------------|
| Ni | CLIP | - | - | - | - | - | - | 6 | | | | | | | | | | | |
| Ag △2 | SOCKET CONTACT | 10 | 0.0030 | 4.35 | 5.9 | 8 | 12 | 5 | | | | | | | | | | | |
| | SOCKET CONTACT | 6.0 | 0.0029 | 3.5 | 4.9 | 7 | 12 | 4 | | | | | | | | | | | |
| | SOCKET CONTACT | 4.0 | 0.0027 | 2.85 | 3.9 | 6 | 12 | 3 | | | | | | | | | | | |
| | SOCKET CONTACT | 2.5 | 0.0028 | 2.2 | 3.2 | 5 | 12 | 2 | | | | | | | | | | | |
| | SOCKET CONTACT | 1.5 | 0.0028 | 1.8 | 3.0 | 4 | 12 | 1 | | | | | | | | | | | |
| 5-9 | 4-9 | 3-9 | 2-9 | 1-9 | 5-1 | 4-1 | 3-1 | 2-1 | 1-1 | [MM ²] | "A" | "B" | CROSS-SECTION MARKINGS | (MM) | ITEM NO | | | | |
| △4 | HS.K-C-Bu.Ag 10mm ² | △4 | HS.K-C-Bu.Ag 6mm ² | △4 | HS.K-C-Bu.Ag 4mm ² | △4 | HS.K-C-Bu.Ag 2.5mm ² | △4 | HS.K-C-Bu.Ag 1.5mm ² | △4 | HS.K-C-Bu.Ag 10mm ² | △4 | HS.K-C-Bu.Ag 6mm ² | △4 | HS.K-C-Bu.Ag 4mm ² | △4 | HS.K-C-Bu.Ag 2.5mm ² | △4 | HS.K-C-Bu.Ag 1.5mm ² |



THIS DRAWING IS A CONTROLLED DOCUMENT.

DWN SCHWEIGER 03Mar2008
CHK H.BRAUN 03Mar2008
APVD T. SCHNURPFIL 03Mar2008

TE Connectivity

NAME SOCKET CONTACT SERIES HSK

PRODUCT SPEC 108-74004
APPLICATION SPEC 114-74003
WEIGHT -

SIZE A3 CAGE CODE 00779 DRAWING NO ©=1108756 RESTRICTED TO -

CUSTOMER DRAWING SCALE 5:1 SHEET 1 OF 1 REV A9

DIMENSIONS: mm
TOLERANCES UNLESS OTHERWISE SPECIFIED:
0 PLC ±
1 PLC ±
2 PLC ±
3 PLC ±
4 PLC ±
ANGLES ±

MATERIAL △1 -
FINISH △2 -