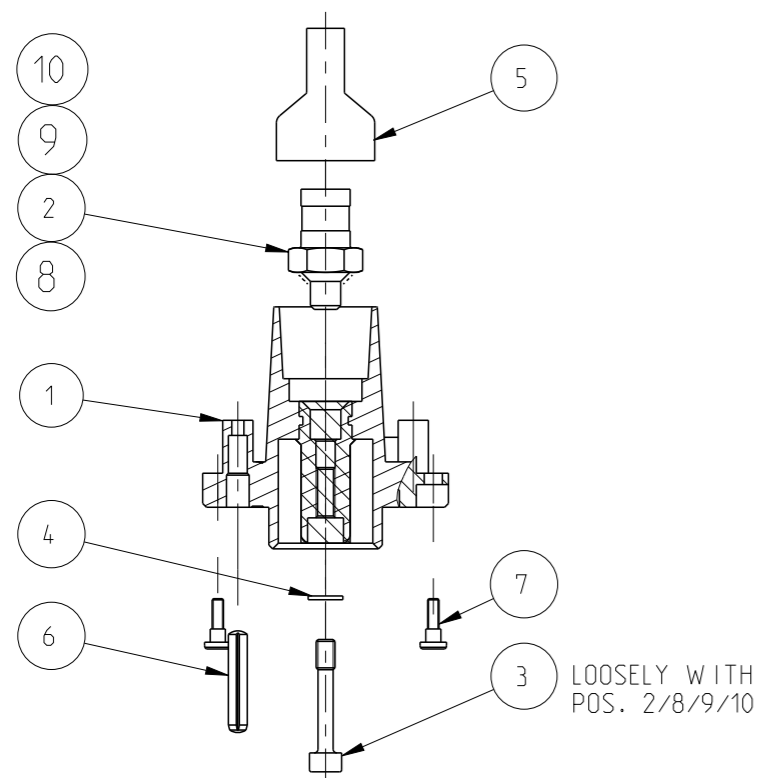


P	LTR	DESCRIPTION	DATE	DWN	APVD
B7		ECR-21-123577	21JUL2022	RK	JB

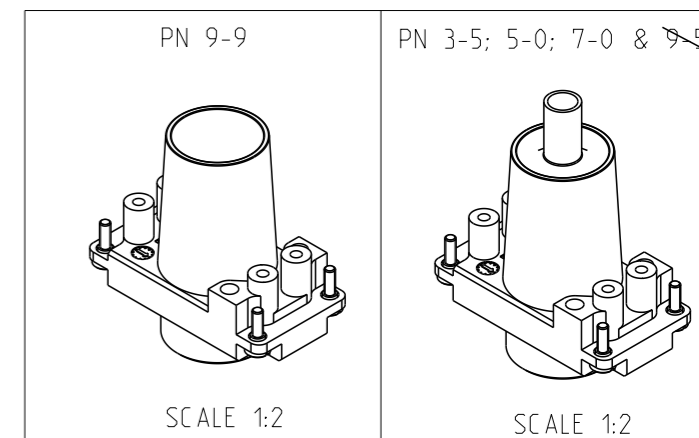
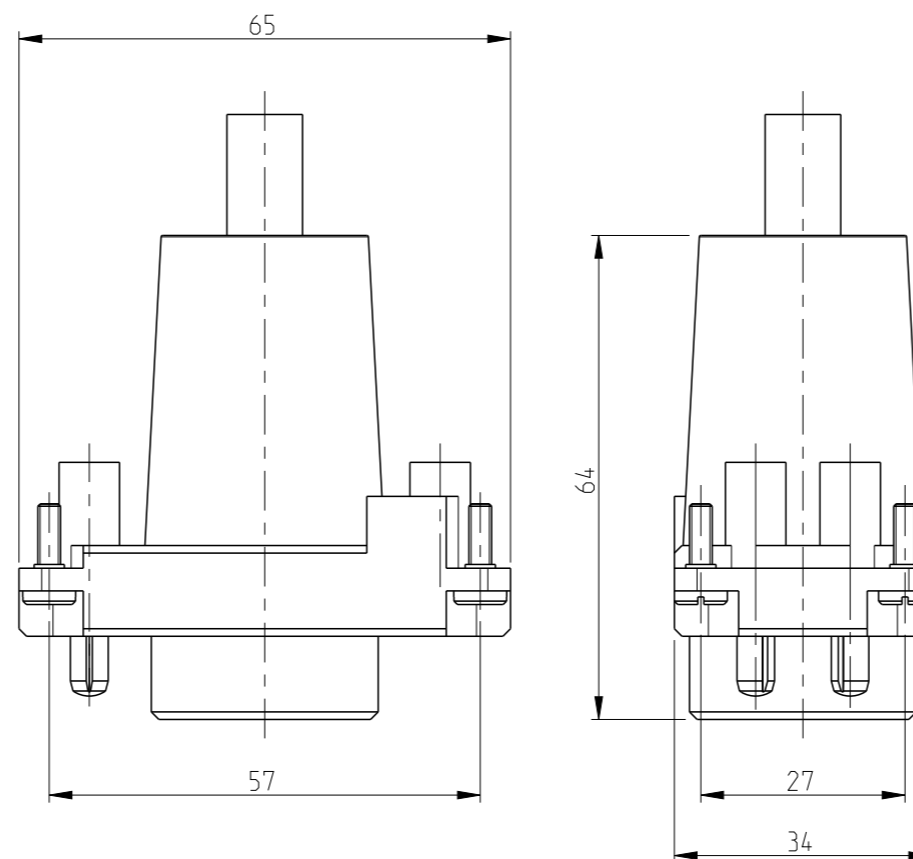
FOR PN 3-5; 5-0; 7-0 AND (9-5 OBSOLETE)

NOTES:

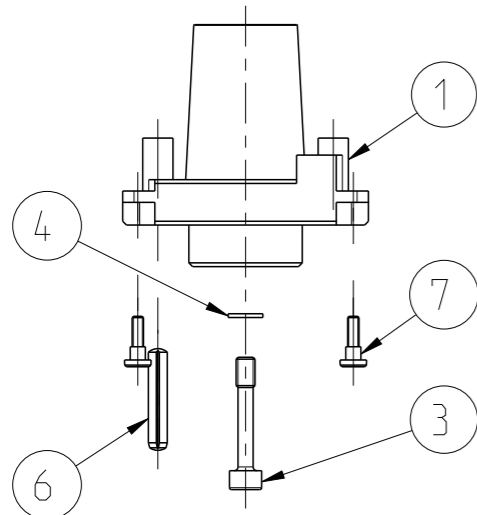
- PARTS SHALL BE BLANK, SMOOTH, FREE OF BURRS AND ALL OTHER FOREIGN MATERIAL
 - PACKAGING:
ITEM NO 5,6 AND 7 PACKED IN POLY-BAGS
ITEM NO 5 IS TO SHRINK OVER THE CABLE AFTER CRIMPING
- OBSOLETE



LOOSELY WITH POS. 2/8/9/10



FOR PN 9-9



SCALE 1:2

QTY	QTY	QTY	QTY	QTY	DESCRIPTION	MATERIAL	COLOR	ITEM NO	SURFACE	REMARKS
1	-	-	-	1	BARREL 95mm2	CuTeP(2.1546)	-	10	SILVERED	
-	1	-	-	1	BARREL 70mm2	CuTeP(2.1546)	-	9	SILVERED	
-	-	1	-	1	BARREL 50mm2	CuTeP(2.1546)	-	8	SILVERED	
4	4	4	4	4	SCREW, SLOTTED PAN HEAD	STAINL.STEEL	-	7	BLANK	DIN 923
2	2	2	2	2	Grooved pins / Rivet pins	STAINL.STEEL	BLANK	6	BLANK	DIN EN 28740
-	1	1	1	1	SHRINKABLE TUBE	POLYOLEFIN	BLACK	5		35 mm
1	1	1	1	1	WASHER, SPRING LOCK	STAINL.STEEL	BLANK	4	BLANK	DIN 128
1	1	1	1	1	SCREW, HEX. SOCKET HEAD CAP	STAINLESS STEEL	-	3	BLANK	
-	-	-	-	1	BARREL 35mm2	CuTeP(2.1546)	-	2	SILVERED	
1	1	1	1	1	PIN INSERT	PA66 (Ultramid A3x3G5)	-	1		INSERTED
9-9	9-5	7-0	5-0	3-5	DESCRIPTION	MATERIAL	COLOR	ITEM NO	SURFACE	REMARKS
					AM-1P-360-35.Sti.C					
					AM-1P-360-50.Sti.C					
					AM-1P-360-70.Sti.C					
					AM-1P-360-95.Sti.C					OBSOLETE
					AM-1P-360.Sti.C					

THIS DRAWING IS A CONTROLLED DOCUMENT.

DIMENSIONS: mm	TOLERANCES UNLESS OTHERWISE SPECIFIED: 0 PLC ± 1 PLC ± 2 PLC ± 3 PLC ± 4 PLC ± ANGLES ±
MATERIAL	FINISH

DWN	Kramer	21.11.97
CHK	Schweiger	21.11.97
APVD	-	-
PRODUCT SPEC	108-74021	
APPLICATION SPEC	114-74023	
WEIGHT	-	
CUSTOMER DRAWING		



ASSEMBLY PIN INSERT

NAME	ASSEMBLY PIN INSERT			RESTRICTED TO
SIZE	CAGE CODE	DRAWING NO		
A3	00779	C=1106505		
SCALE	SHEET	OF	REV	
5:1	1	1	B7	