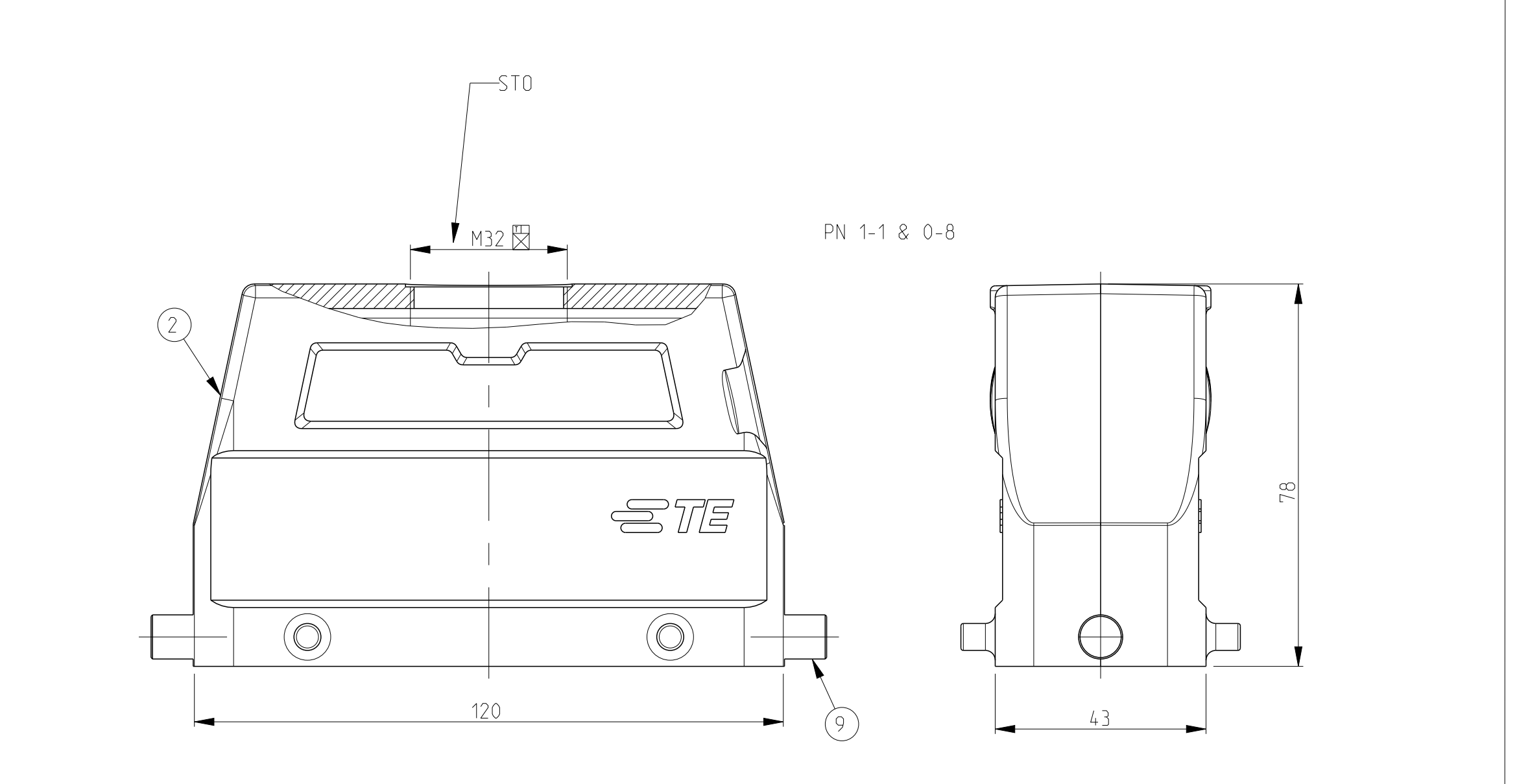
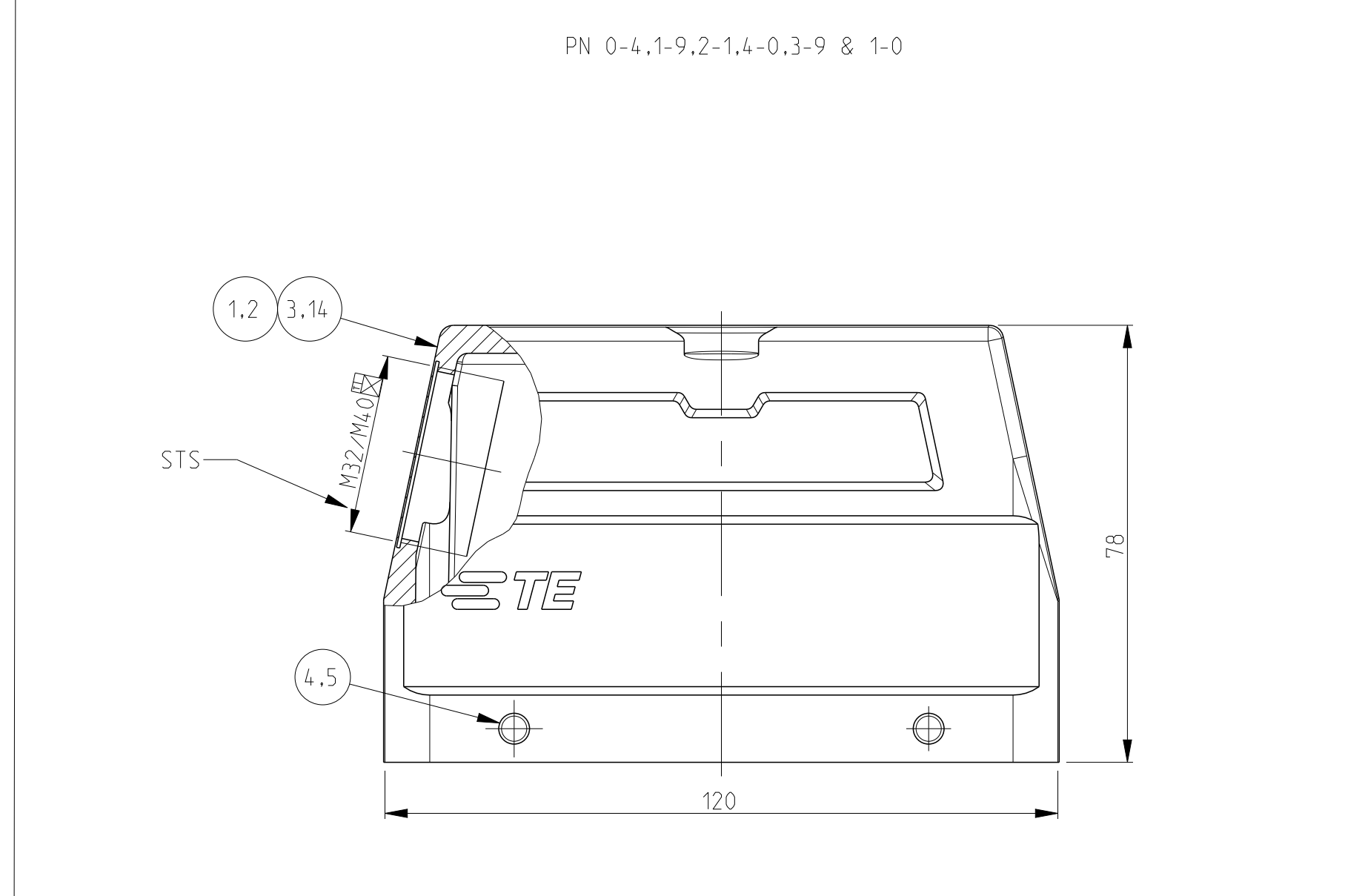
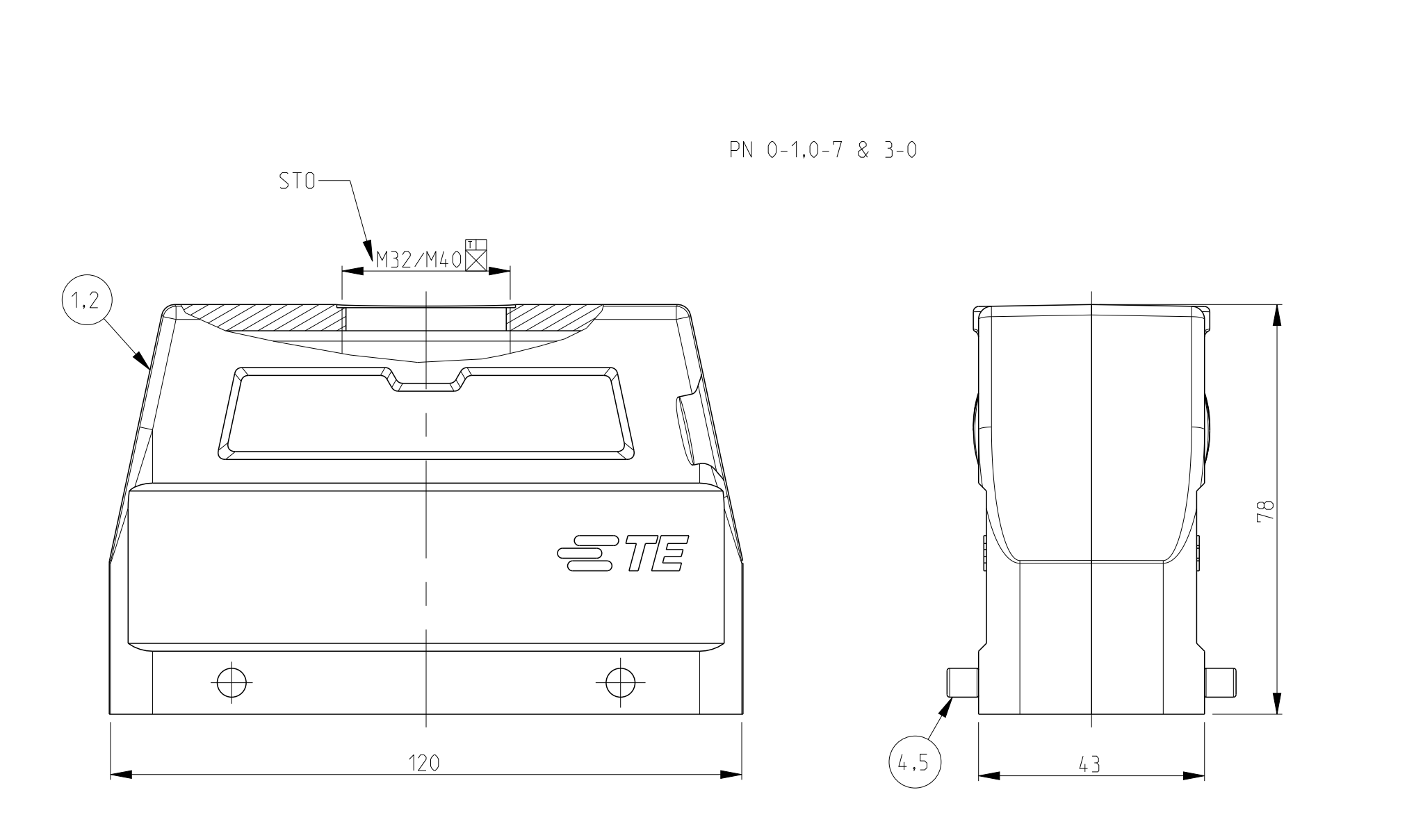
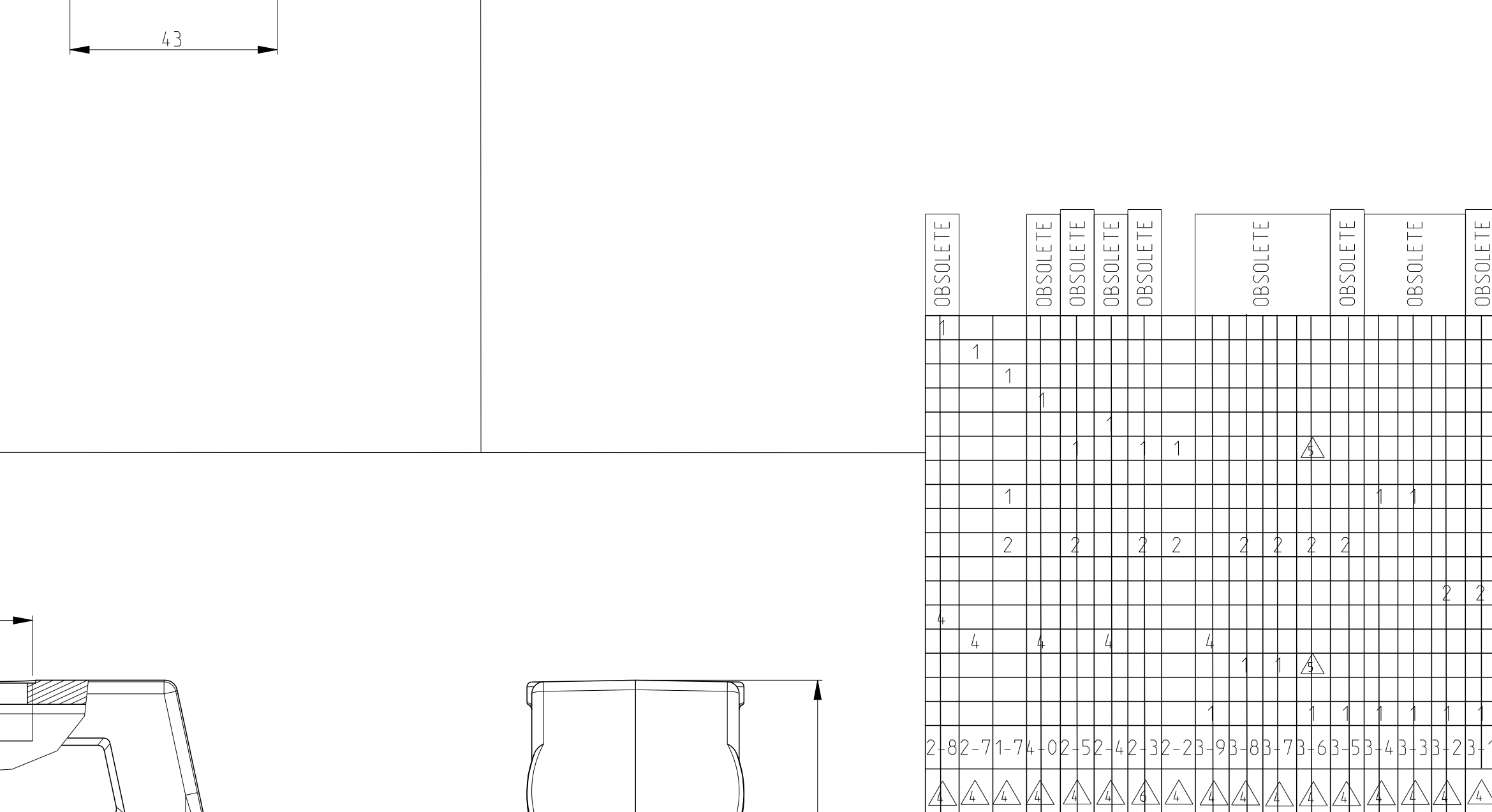
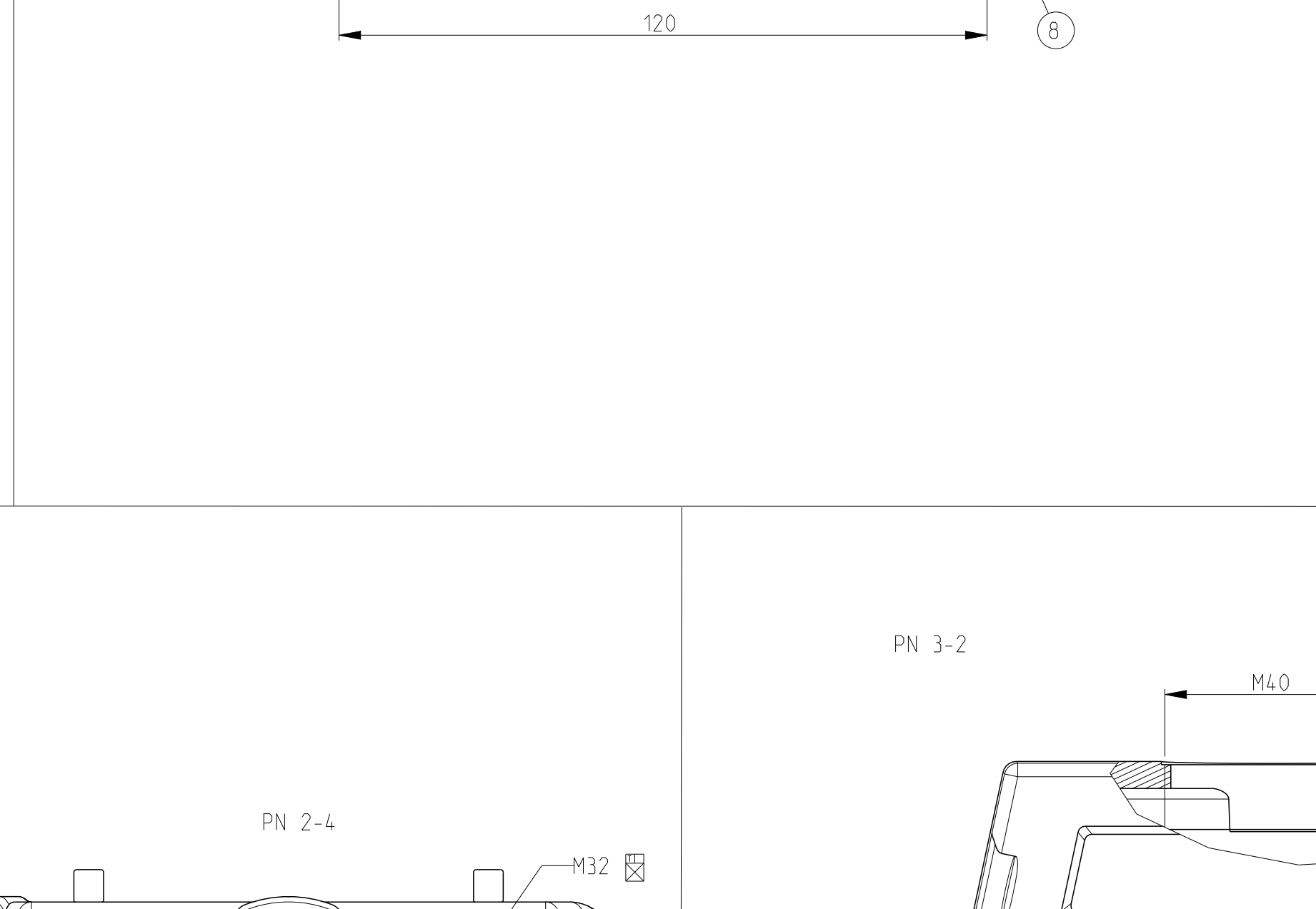
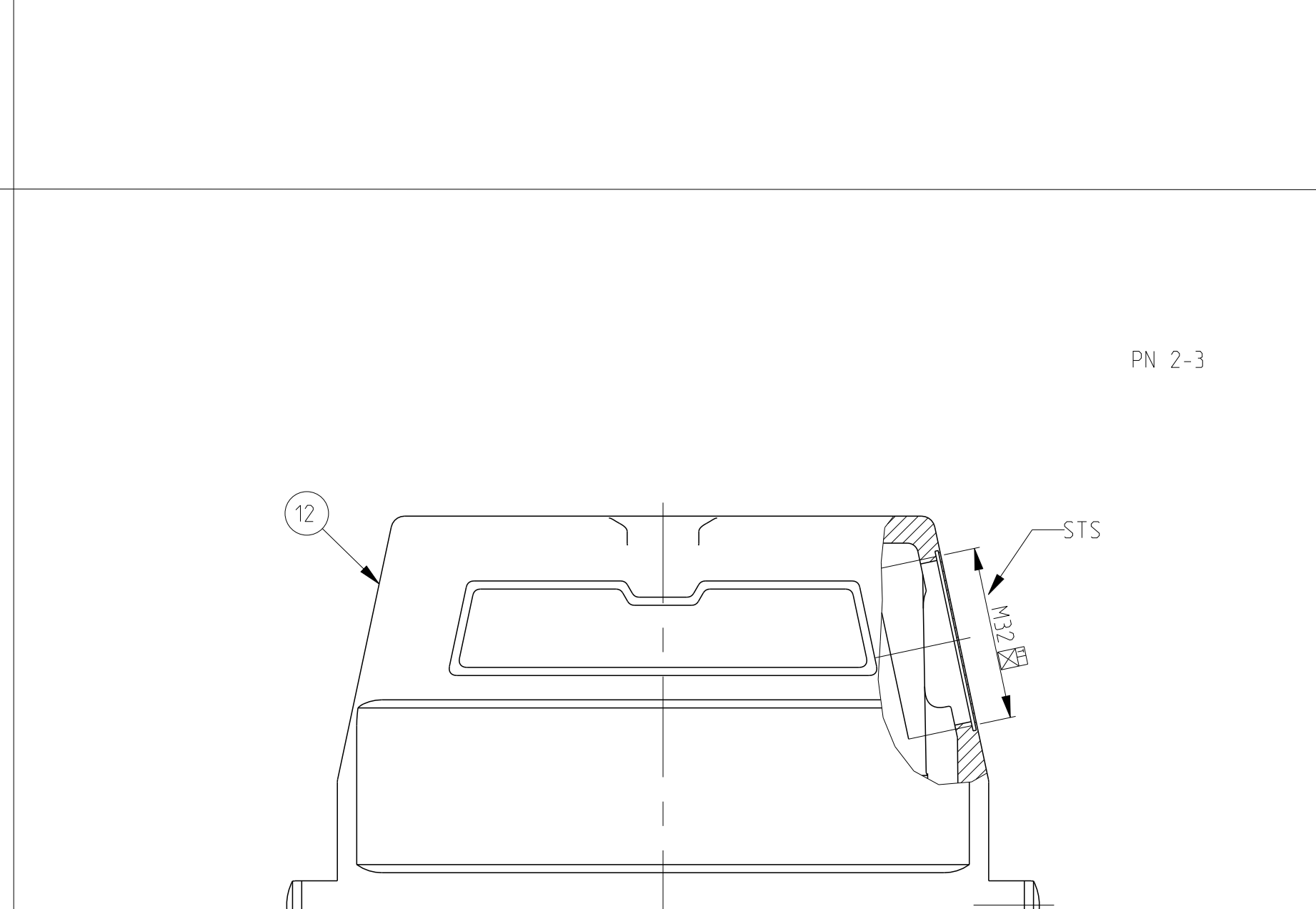
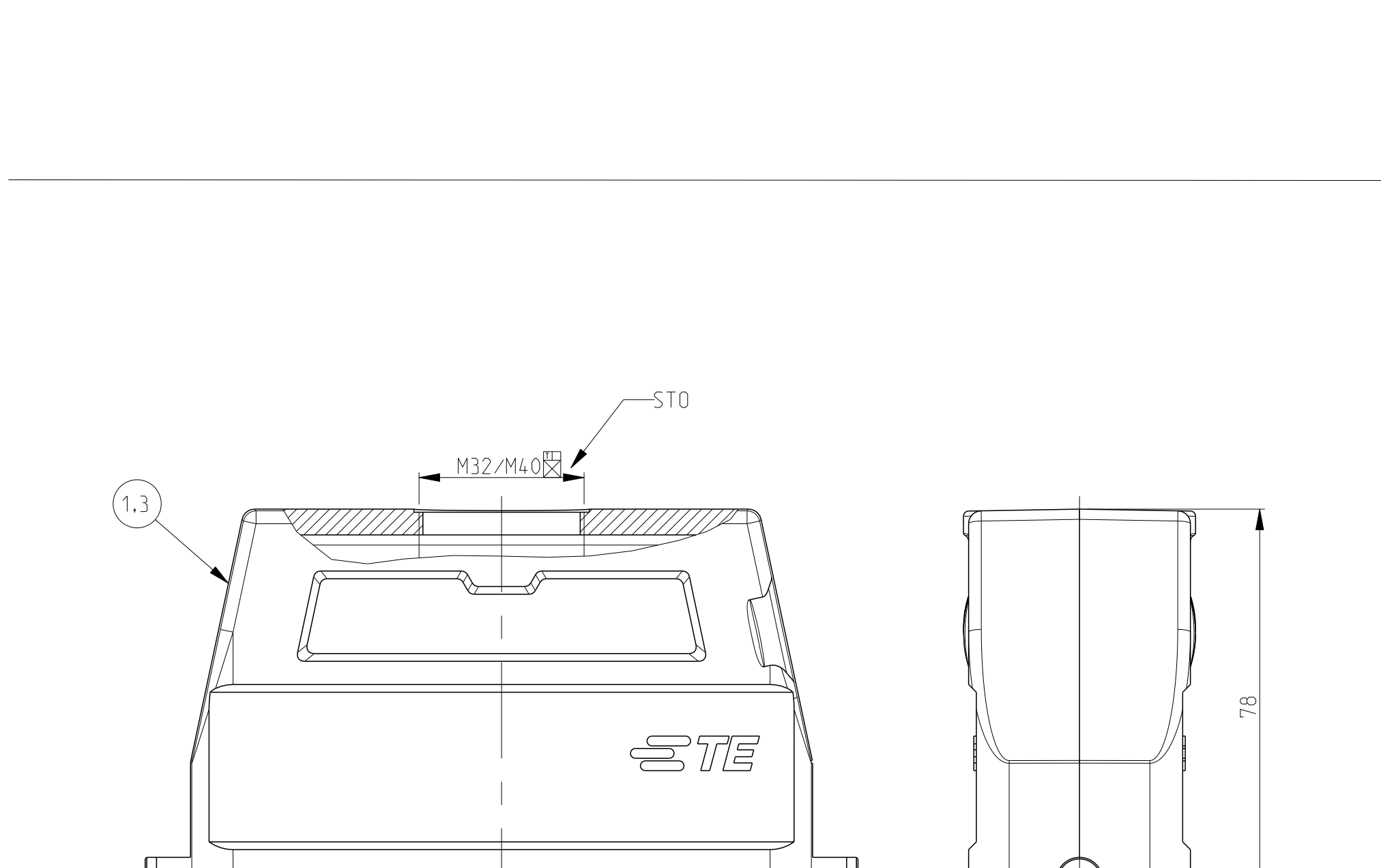
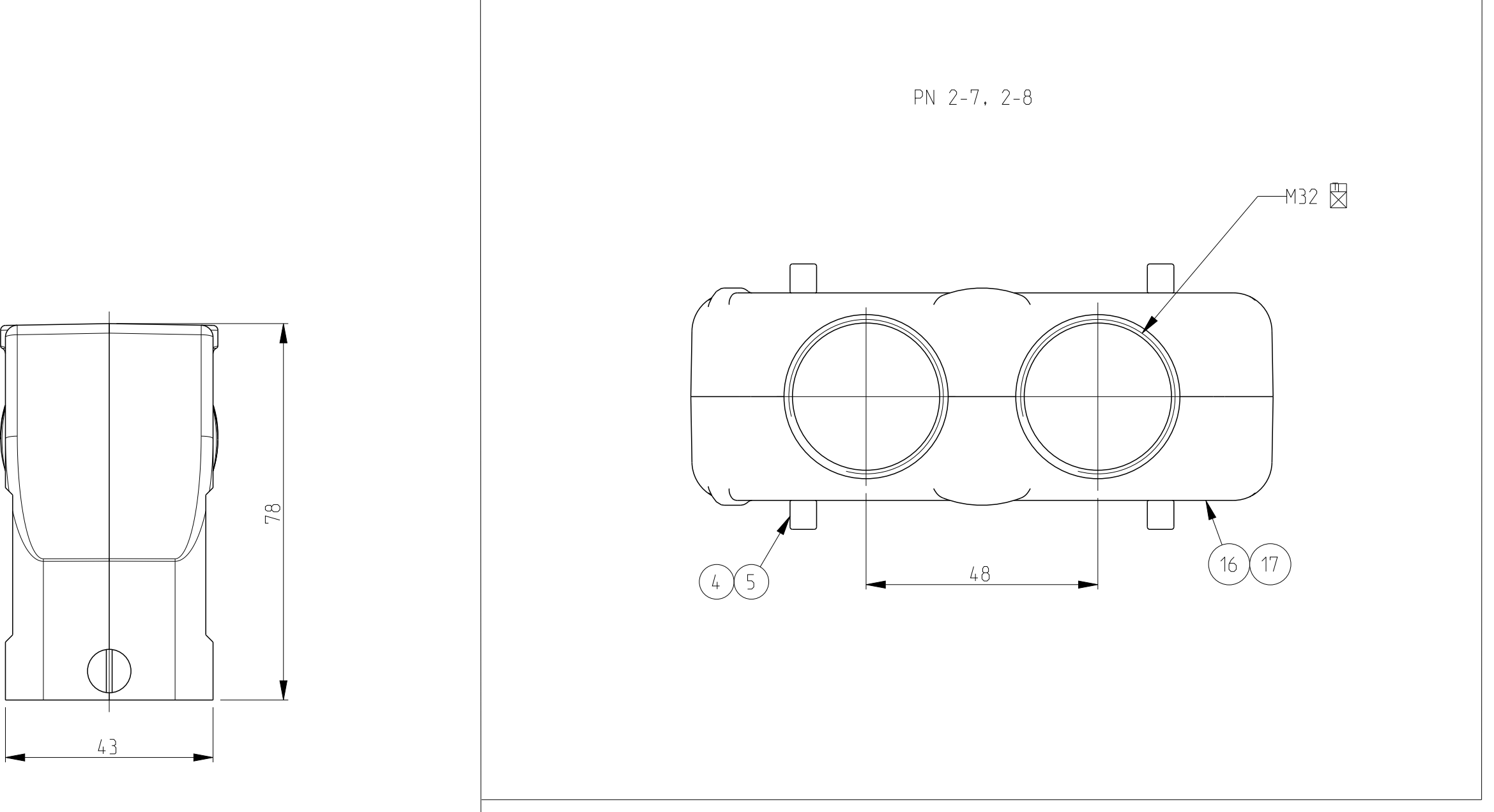
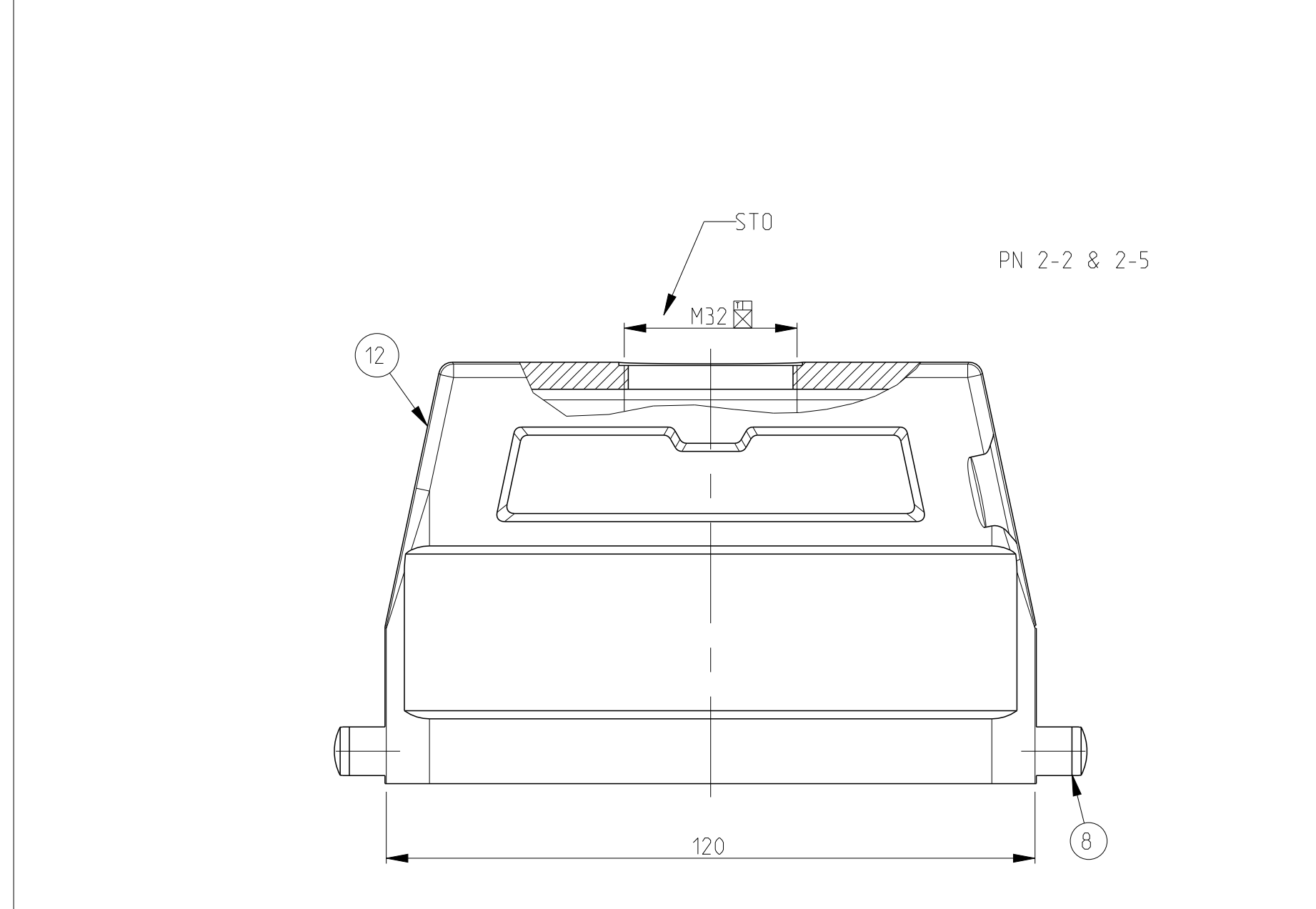
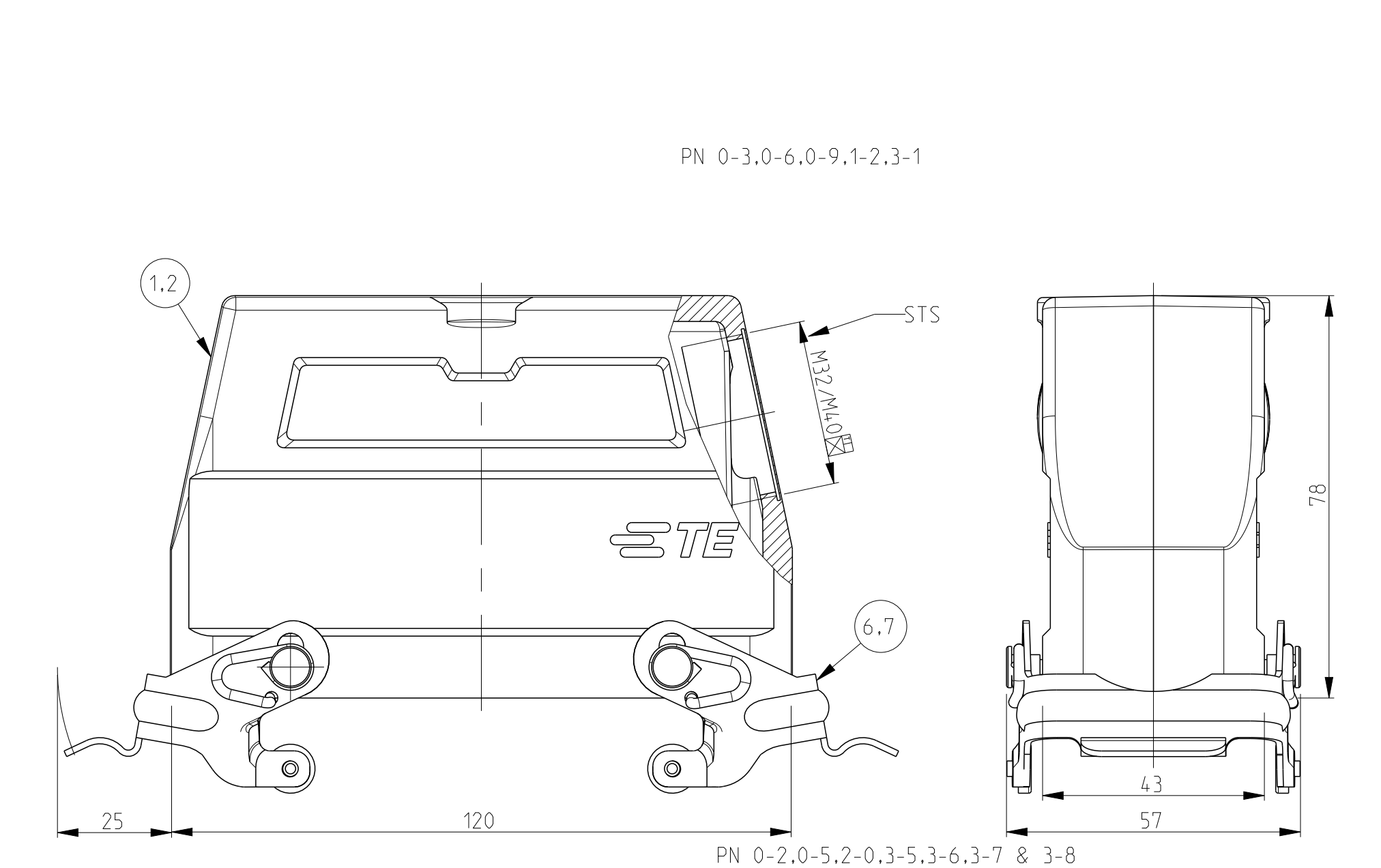


REVISIONS				
NO.	DATE	DESCRIPTION	BY	APPD.
A20		REVISED PER ECR-21-123544	DMH2022	RK
A21		REVISED PER ECR-24-20158	DMH2024	RK



- NOTES:
- Material:Housing:Aluminium Diecasting Alloy
  - Surface:Varnish grey
  - Varnish on the inside not necessary
- ⚠ Packaging  
Quantity 5 Pieces in a box
- 5 Without TE-Product sign
- ⚠ Special Packaging  
Quantity 50 Pieces in a Kanban box



QTY	DESCRIPTION	MATERIAL	SURFACE	COLOR	ITEM NO	NOTES
1	HD-K HOOD	Aluminium	Aluminium oxide	Black	17	
1	HD HOOD	Aluminium		GREY	16	
1	HD HOOD	Aluminium		GREY	15	
1	HD-EMV Hood	Aluminium	chromit Al passivation	Black	14	
1	HD Hood	Aluminium		Grey	13	
1	HD Hood	Aluminium	Neutral	Grey	12	Without TE-Logo
1	ZB-Central clip	Stainless steel	Blank	Blue	11	
1	ZB-Central clip	Steel	Zinc plated	Blue	10	
2	LB-Clip bolt	Stainless steel	Blank	Blue	9	
2	LB-Clip bolt	Steel	Zinc plated	Blue	8	
2	VS-Side clip	Stainless steel	Blank	Blue	7	
2	VS-Side clip	Steel	Zinc plated	Blue	6	
2	VS-Clip bolt	Stainless steel	Blank	Blue	5	
2	VS-Clip bolt	Steel	Zinc plated	Blue	4	
2	HD Hood	Aluminium	Aluminium oxide	Grey	3	Without TE-Logo
2	HD-K Hood	Aluminium	Aluminium oxide	Black	2	
2	HD Hood	Aluminium		Grey	1	

THIS DRAWING IS A CONTROLLED DOCUMENT. DATE: 30-Nov-07. DRAWN BY: Schneider. CHECKED BY: Schneider. APPROVED BY: Schneider.

PRODUCT SPEC: 108-74001/74003. APPLICATION REF: 114-74001/74004. WEIGHT: -. SCALE: 5:1. SHEET: 1 OF 1. REV: A21.

MATERIAL: HD.64.S15.1.M4.0.G. FINISH: -. SURFACE: -. COLOR: -. ITEM NO: -. NOTES: -. CUSTOMER DRAWING.