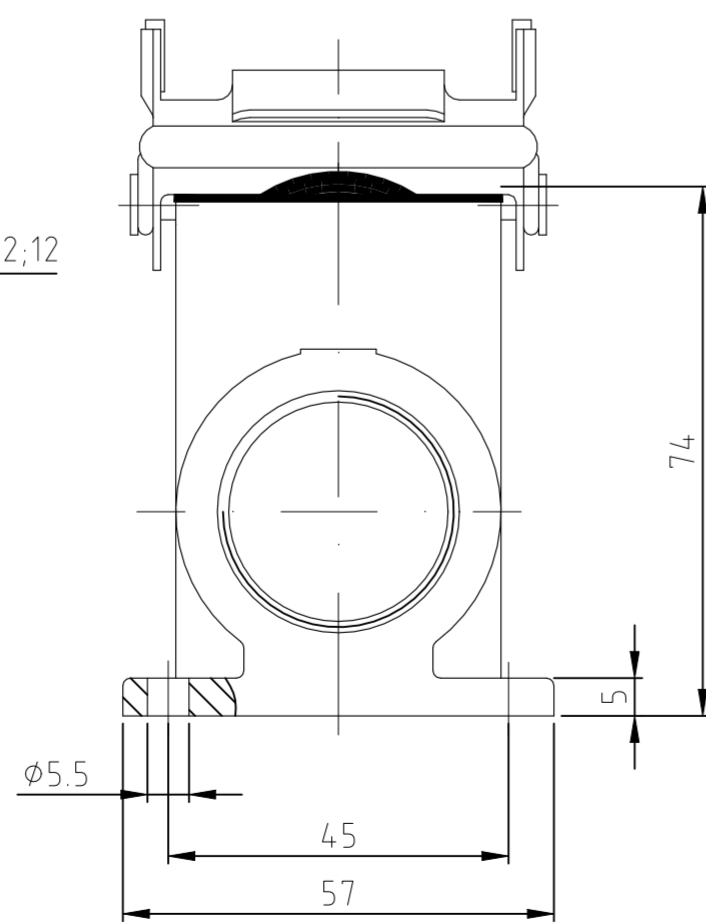
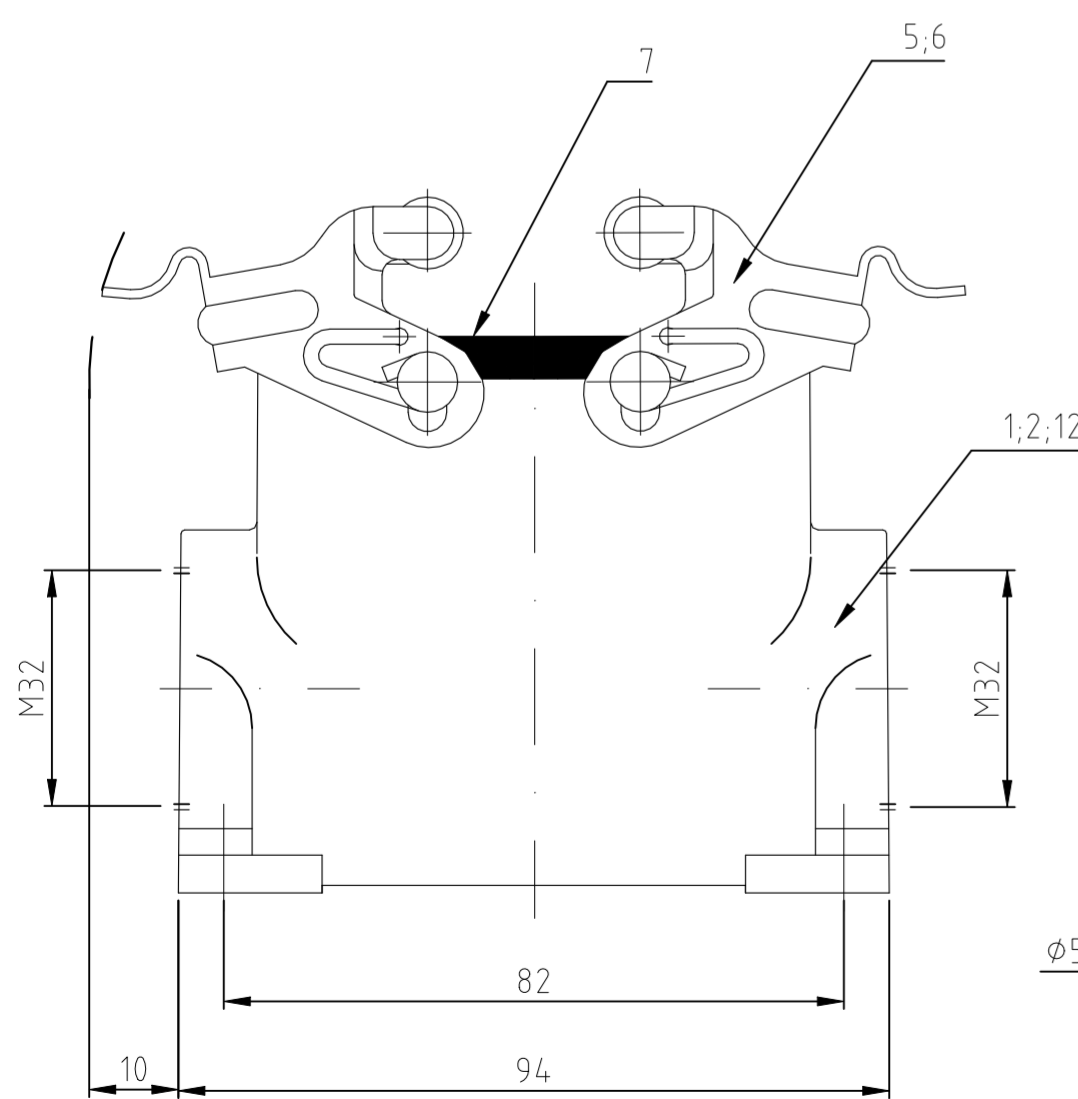


Notes:

- 1 Material: Housing: aluminium diecasting alloy
- 2 Surface: Varnisch - aluminiumoxid+ Varnisch black - grey
- 3 Varnish on the inside not necessarily

Bemerkungen:

- 1 Material: Gehäuse: Alu-Druckguß-Legierung
- 2 Oberfläche: Lackierung - Aluminiumoxid+ Lackierung schwarz - grau
- 3 Lackierung im Gehäuseinnere ist nicht notwendig



| QTY | DESCRIPTION / BENENNUNG                                | MATERIAL            | SURFACE / OBERFLÄCHE | COLOR / FARBE | ITEM NO. POS. | REMARKS / BEMERKUNGEN |
|-----|--|---------------------|----------------------|---------------|---------------|-----------------------|
| 1   | Deckel/cover   | Aluminium/ALU       | -                    | grey/grau     | 15            | ohne Logo             |
| 2   | LB-Bügelbolzen/clip positioner                         | Stahl/steel         | verzinkt/zink plated | blau/blue     | 14            | -                     |
| 1   | Blanking Piece with Seal                               | Stahl/steel         | -                    | blau/blue     | 13            | -                     |
| 1   | Sockelgehäuse HD surface mounted housing side entry    | Aluminium/ALU       | -                    | grey/grau     | 12            | ohne Logo             |
| 4   | VS-Bügelbolzen/clip positioner                         | V2A/stainless steel | blank/even           | -             | 11            | -                     |
| 4   | VS-Bügelbolzen/clip positioner                         | Stahl/steel         | verzinkt/zink plated | blau/blue     | 10            | -                     |
| 1   | Deckel/cover   | Aluminium/ALU       | aluminium oxid       | black/schwarz | 9             | -                     |
| 1   | Deckel/cover   | Aluminium/ALU       | -                    | grey/grau     | 8             | -                     |
| 1   | Profildichtung/profile seal                            | Neoprene            | -                    | black/schwarz | 7             | -                     |
| 1   | VS-Bügel/locking clip                                  | V2A/stainless steel | blank/even           | -             | 6             | -                     |
| 1   | VS-Bügel/locking clip                                  | Stahl/steel         | verzinkt/zink plated | blau/blue     | 5             | -                     |
| 1   | LB-Bügel/side clip                                     | V2A/stainless steel | blank/even           | -             | 4             | -                     |
| 1   | LB-Bügel/side clip                                     | Stahl/steel         | verzinkt/zink plated | blau/blue     | 3             | -                     |
| 1   | Sockelgehäuse HD-K/ surface mounted housing side entry | Aluminium/ALU       | aluminium oxid       | black/schwarz | 2             | -                     |
| 1   | Sockelgehäuse HD surface mounted housing side entry    | Aluminium/ALU       | -                    | grey/grau     | 1             | -                     |

| QTY | DESCRIPTION / BENENNUNG | MATERIAL | SURFACE / OBERFLÄCHE | COLOR / FARBE | ITEM NO. POS. | REMARKS / BEMERKUNGEN |
|-----|-------------------------|----------|----------------------|---------------|---------------|-----------------------|
| 1-0 | HD-24-SGD-LB-2-M32-Z+BS |          |                      |               |               |                       |
| 0-9 | HD-24-SG-LB-2-M32-Z+BS  |          |                      |               |               |                       |
| 0-8 | HD-K-24-SG-VS-2-M32-Z   |          |                      |               |               |                       |
| 0-4 | HD-24-SG-VS-2-M32-Z     |          |                      |               |               |                       |
| 0-6 | HD-K-24-SGD-LB-2-M32-Z  |          |                      |               |               |                       |
| 0-2 | HD-24-SGD-LB-2-M32-Z    |          |                      |               |               |                       |
| 0-7 | HD-K-24-SG-LB-2-M32-Z   |          |                      |               |               |                       |
| 0-3 | HD-24-SG-LB-2-M32-Z     |          |                      |               |               |                       |
| 0-5 | HD-K-24-SGD-2-M32-Z     |          |                      |               |               |                       |
| 0-1 | HD-24-SGD-2-M32-Z       |          |                      |               |               |                       |

THIS DRAWING IS A CONTROLLED DOCUMENT. DIESE ZEICHNUNG IST EIN KONTROLLIERTES DOCUMENT.

DIMENSIONS: MASSENHEITEN mm TOLERANCES UNLESS OTHERWISE SPECIFIED: ALLGEMEINTOLERANZEN

0 PLC ± 0.15  
1 PLC ± 0.2  
2 PLC ± 0.3  
3 PLC ± 0.4  
4 PLC ± 0.5

ANGLES / WINKEL ± 0.5° FINISH / OBERFLÄCHE / FARBE

DWN Schneider 10.03.03  
CHK Schweiger 10.03.03

PRODUCT SPEC: -  
APPLICATION SPEC: -

WEIGHT: -

CUSTOMER DRAWING / KUNDENZEICHNUNG SCALE: MASSSTAB 1:1 SHEET: BLATT 1 von 1 REV: A8

TE Connectivity  
Surface mounted housing side entry  
Sockelgehäuse HD-24.SGD.2M32

SIZE: A2 CAGE CODE: 00779 DRAWING NO: ZEICHNUNGS-NR. C=1106433 RESTRICTED TO NUR FUER