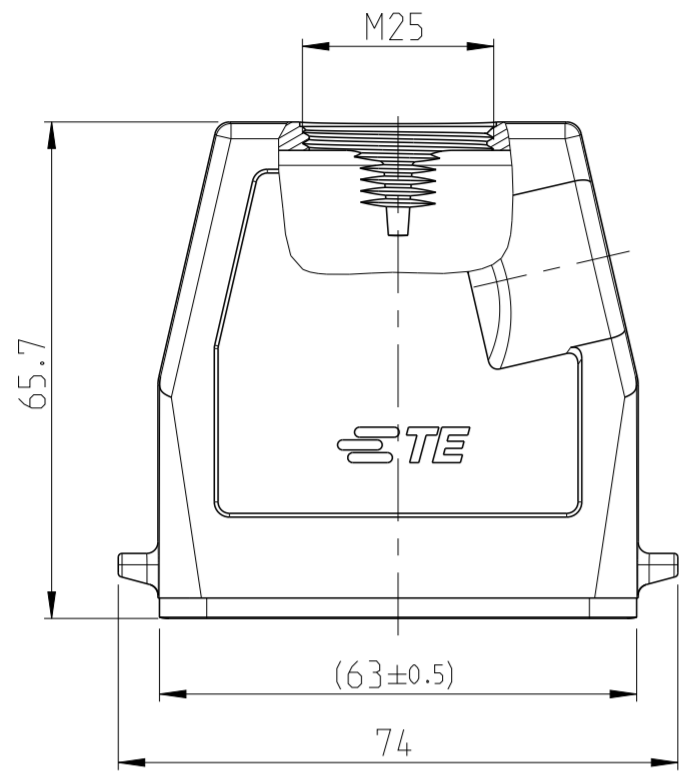


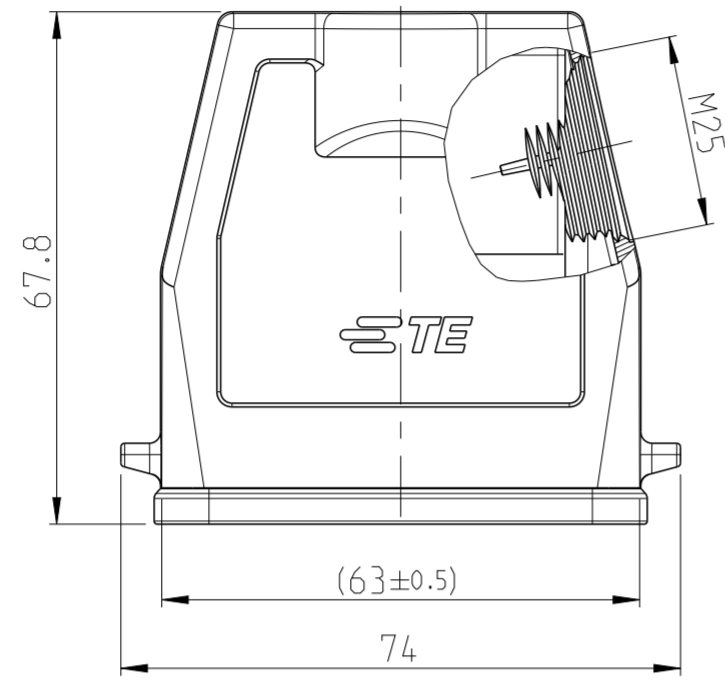
THIS DRAWING IS UNPUBLISHED. RELEASED FOR PUBLICATION 2009  
 © COPYRIGHT 2009 BY - ALL RIGHTS RESERVED.

REVISIONS					
P	LTR	DESCRIPTION	DATE	DWN	APVD
E3		ECR-09-022009	18NOV2009	SR	OD
E4		REVISED PER ECR-17-014013	10JAN2018	SRG	MKO
E5		ECR-20-000801	17JAN2020	QY	JB

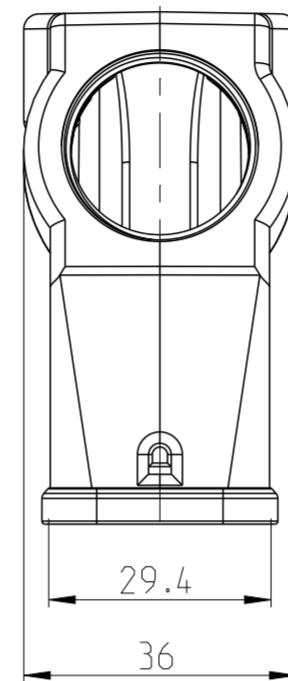
PN 0-1 AS SHOWN



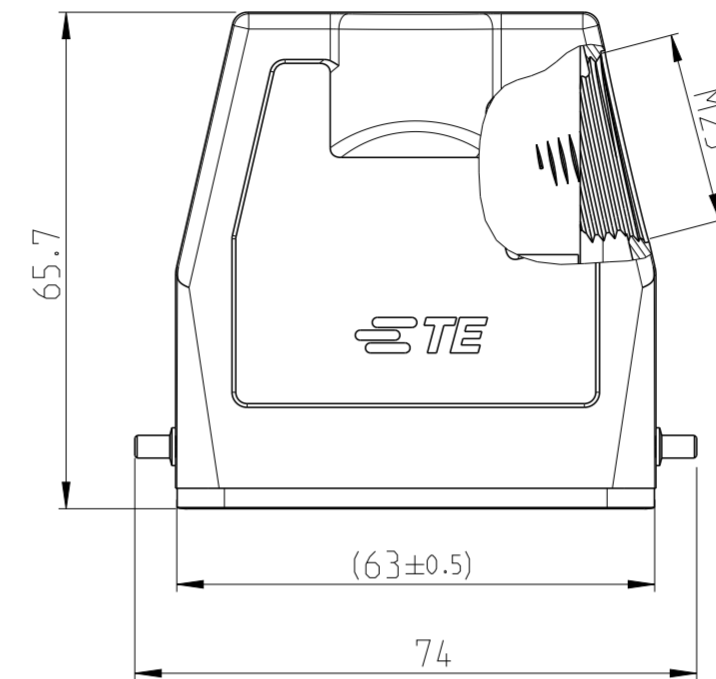
PN 0-2 AS SHOWN



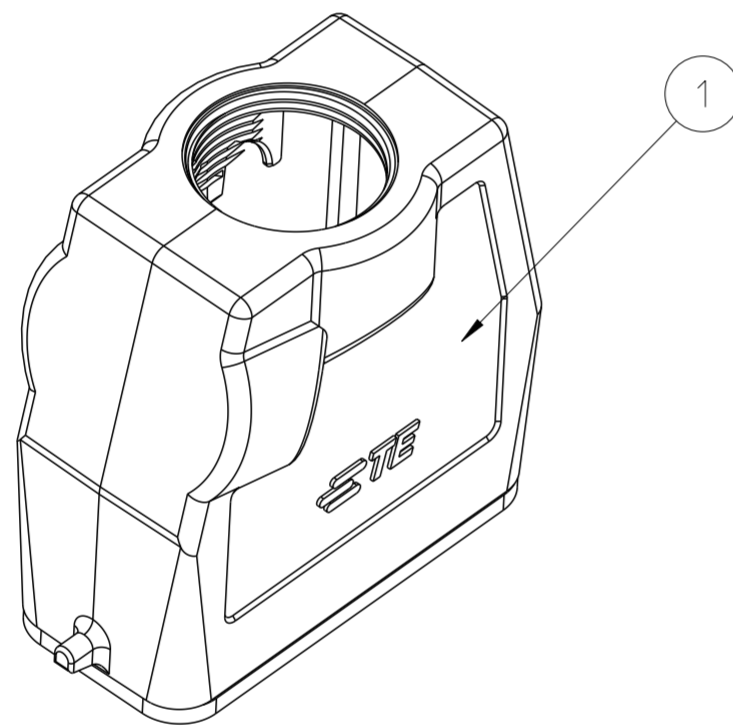
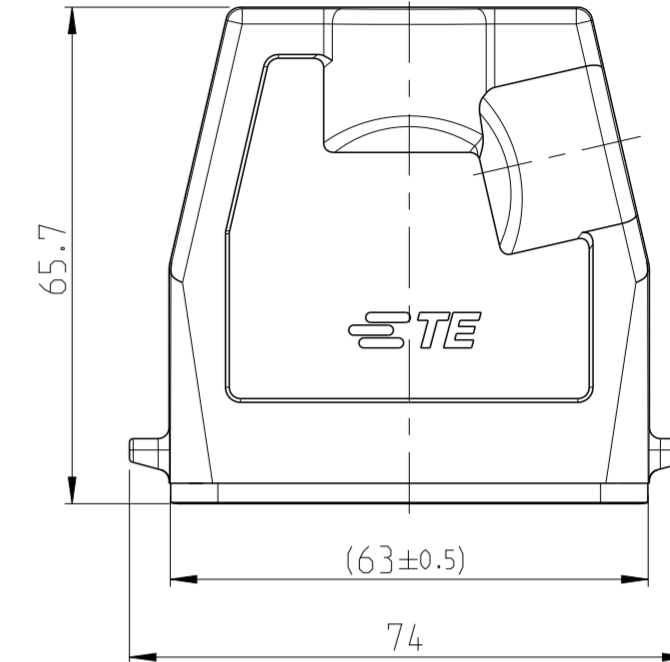
PN 0-2 AS SHOWN



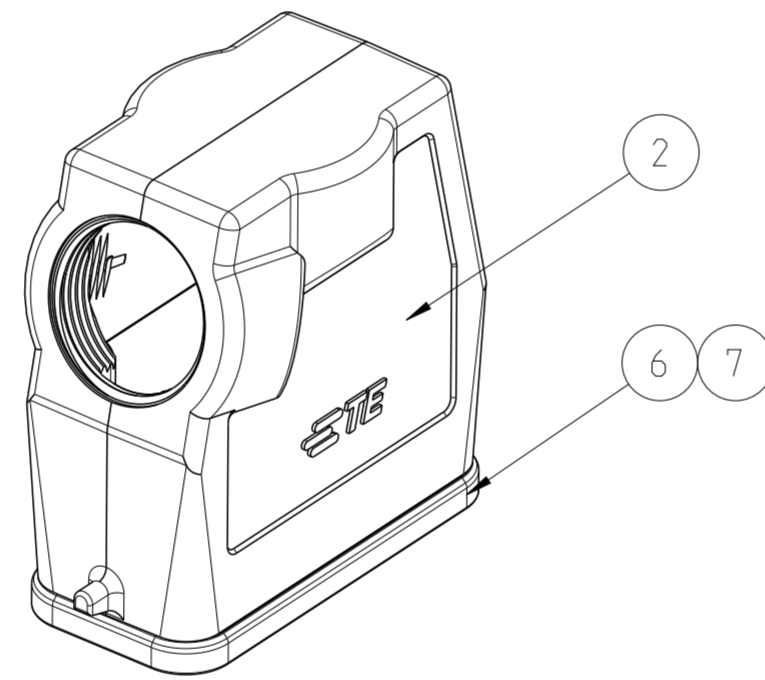
PN 0-4 AS SHOWN



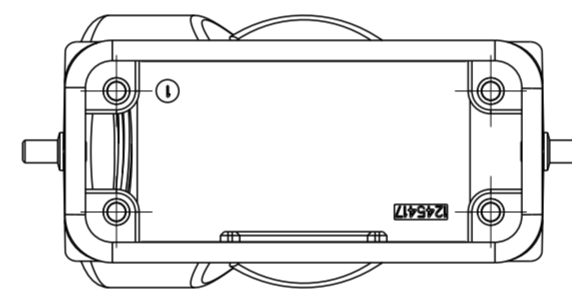
PN 0-5 AS SHOWN



PN 0-1 AS SHOWN



PN 0-2 AS SHOWN



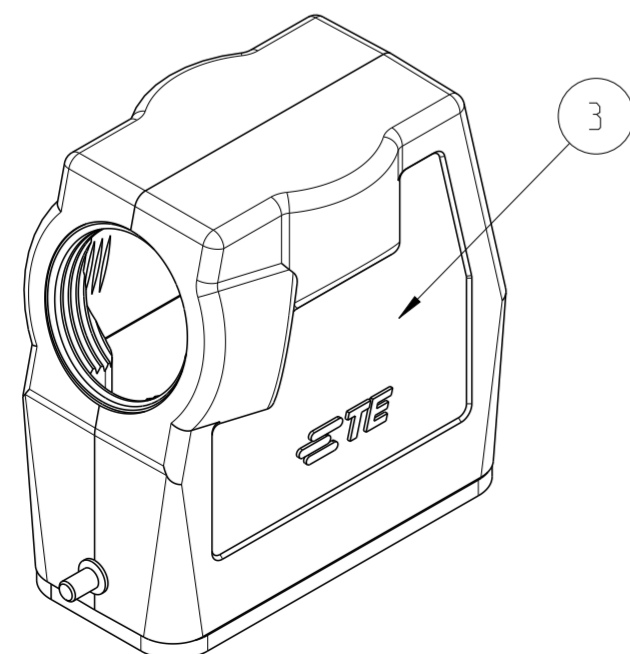
NOTES:

1 PACKAGING QUANTITY: 5 PIECES PER BOX

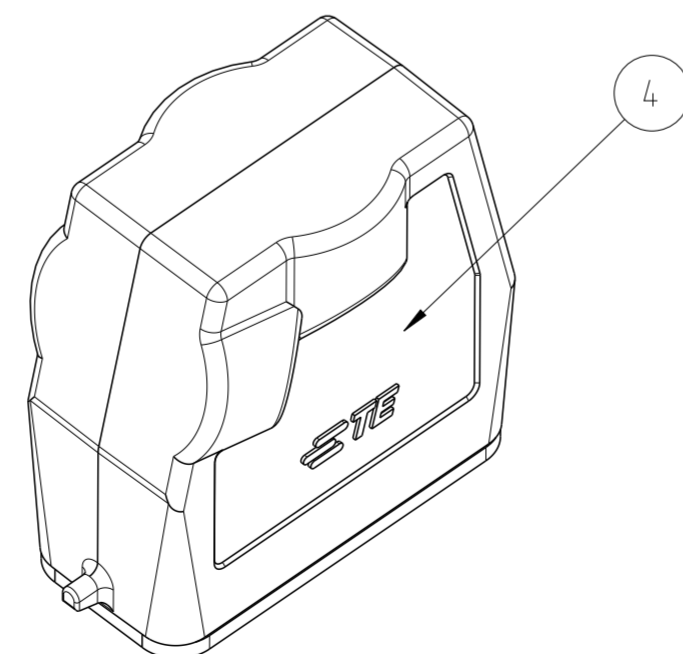
MATERIAL: HOUSING: ALUMINUM DIE CAST ALLOY  
SEALS: NEOPRENE

2 SURFACE: VARNISH GREY  
ALUMINUM OXIDE + VARNISH BLACK

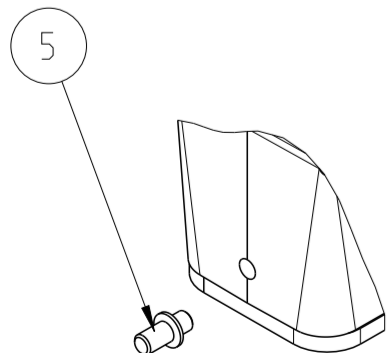
3 VARNISH ON THE INSIDE NOT NECESSARY



PN 0-4 AS SHOWN



PN 0-5 AS SHOWN



OBSOLETE	OBSOLETE	OBSOLETE								
2	2	2	2	INSULATING TAPE	COROPLAST TYP 303			GREY RAL7001	7	PVC SOFT
1	1	1	1	PROFILE SEAL	NEOPRENE			BLACK	6	
			2	CLIP BOLT	STAINLESS STEEL	BLANK			5	
			1	HOOD HD	ALU. ALLOY			GREY RAL7001	4	
			1	HOOD HD	ALU. ALLOY	ALUMINUM OXID		BLACK	3	
			1	HOOD HD	ALU. ALLOY			GREY RAL7001	2	
			1	HOOD HD	ALU. ALLOY			GREY RAL7001	1	
0-5	0-4	0-2	0-1	DESCRIPTION	MATERIAL		SURFACE	COLOR	ITEM	NOTES
				HD-15.STO.1.M25.G						
				HD-15.STS.1.M25.G						
				HD-K.15.STS.1.M25.G						
				HD-15.ST						

THIS DRAWING IS A CONTROLLED DOCUMENT. DWN V. GLUMM 18NOV2009

CHK -

APVD -

PRODUCT SPEC -

APPLICATION SPEC -

WEIGHT -

CUSTOMER DRAWING

SCALE 1:1 SHEET 1 OF 1 REV E5

**STE** TE Connectivity

NAME CONNECTOR HOUSING ASS'Y  
SERIES HD.15 METRIC THREAD

SIZE A2 CAGE CODE 00779 DRAWING NO C-1106414 RESTRICTED TO