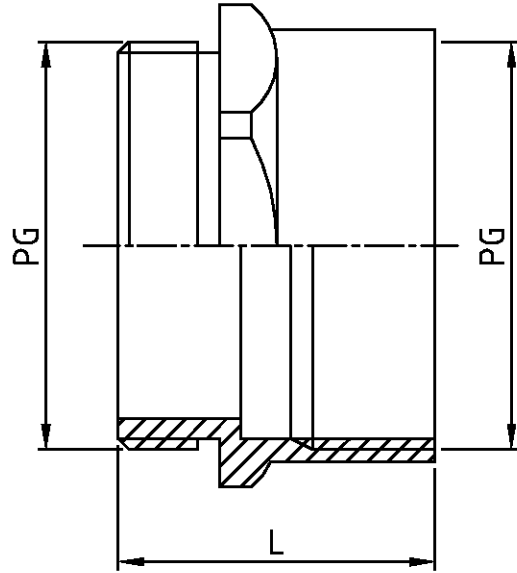
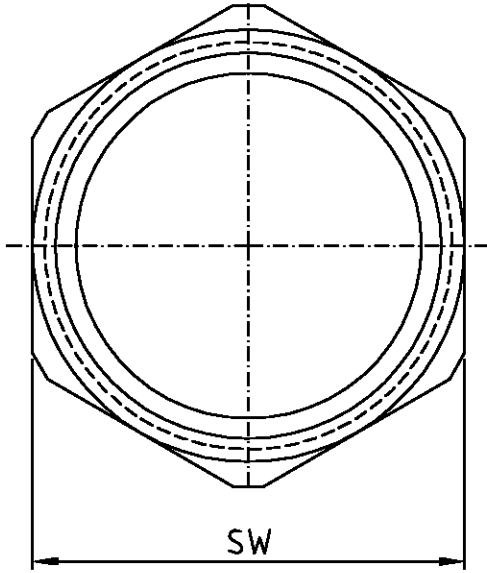


MATED WITH: PASSEND ZU:	LOC AI	DIST -	REVISIONS AENDERUNGEN DESCRIPTION BESCHREIBUNG					
PROJEKT NR.:			P	LTR		DATE	DWN	APVD
				A2	ECR-16-016780	25SEP2017	GV	MKO
				A3	REVISED PER ECR-17-014011	28MAR2018	GA	MKO
				A4	REVISED PER ECR-21-123503	11JUL2022	RK	JB

Maßbild
Outline drawing



⚠ OBSOLETE

8-4	⚠	ZW.ST.48.SKT-MS	Messing/brass	vernickelt nickel plated	48	64	33
7-4		ZW.ST.42.SKT-MS	Messing/brass	vernickelt nickel plated	42	57	32
6-4	⚠	ZW.ST.36.SKT-MS	Messing/brass	vernickelt nickel plated	36	50	28,5
5-4		ZW.ST.29.SKT-MS	Messing/brass	vernickelt nickel plated	29	40	24,5
4-4	⚠	ZW.ST.21.SKT-MS	Messing/brass	vernickelt nickel plated	21	30	22
3-4	⚠	ZW.ST.16.SKT-MS	Messing/brass	vernickelt nickel plated	16	24	20
2-4	⚠	ZW.ST.13.SKT-MS	Messing/brass	vernickelt nickel plated	13,5	22	19
1-4	⚠	ZW.ST.11.SKT-MS	Messing/brass	vernickelt nickel plated	11	20	17
0-4	⚠	ZW.ST.9.SKT-MS	Messing/brass	vernickelt nickel plated	9	17	16,5

AMP PART NO	DESCRIPTION	MATERIAL	SURFACE	PG	SW	L
-------------	-------------	----------	---------	----	----	---

DIMENSIONS:
DIMENSIONEN:
mm

DWN Schneider 09.03.1999
CHK Schweiger 09.03.1999

MATERIAL - FINISH OBERFLAECHE/FARBE -

TOLERANCES UNLESS OTHERWISE SPECIFIED:
ALLGEMEINTOLERANZEN
n. ISO 8015
n. ISO 2768 - mH - E
n. DIN 16901 - 140

APVD -
PRODUCT SPEC
PRODUKTSPEZ.

TE TE Connectivity

APPLICATION SPEC
VERARBEITUNGSSPEZ.

NAME
Hexagonal adaptor
6-kt-Zwischenstutzen

0 PLC
1 PLC
2 PLC
3 PLC
ANGLES /WINKEL #-

WEIGHT
GEWICHT -

SIZE A4 CAGE CODE 00779 DRAWING NO ZEICHNUNGS-NR. C=1106057 RESTRICTED TO NUR FUER -

CUSTOMER DRAWING /KUNDENZEICHNUNG MASSSTAB 2:1 BLATT 1 OF 1 A4

RELEASED FOR PUBLICATION
FREI FUER VEROFFENTLICHUNG

THIS DRAWING IS UNPUBLISHED.
VERTRAULICHE UNVEROFFENTLICHTE ZEICHNUNG.
ALL RIGHTS RESERVED.
ALLE RECHTE VORBEHALTEN.
BY AMP INCORPORATED.
COPYRIGHT 1997