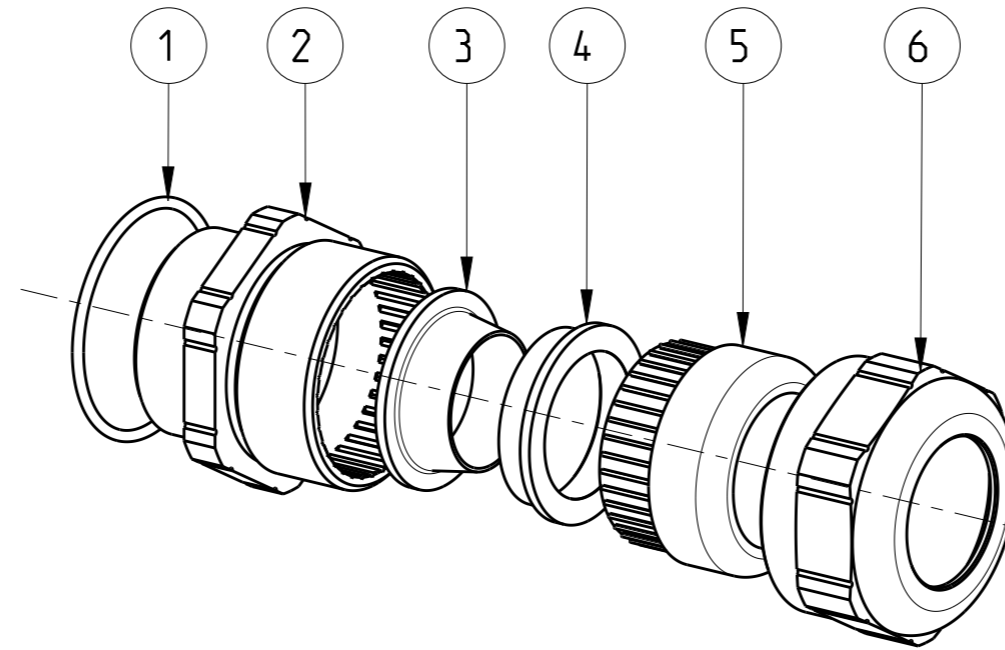
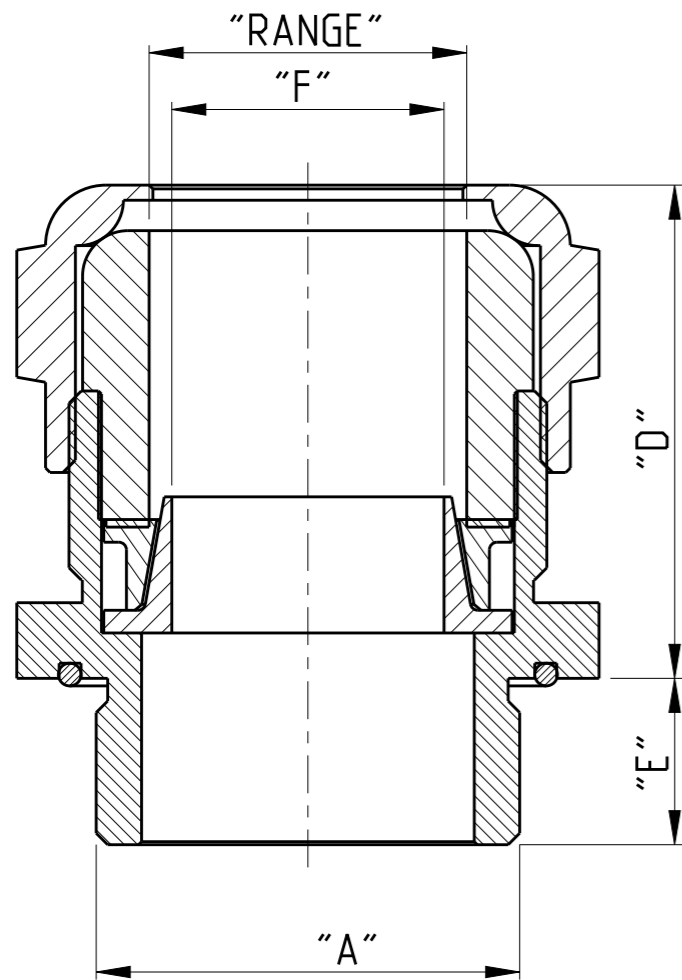


THIS DRAWING IS UNPUBLISHED. RELEASED FOR PUBLICATION 2006
© COPYRIGHT 2006 BY - ALL RIGHTS RESERVED.

REVISIONS

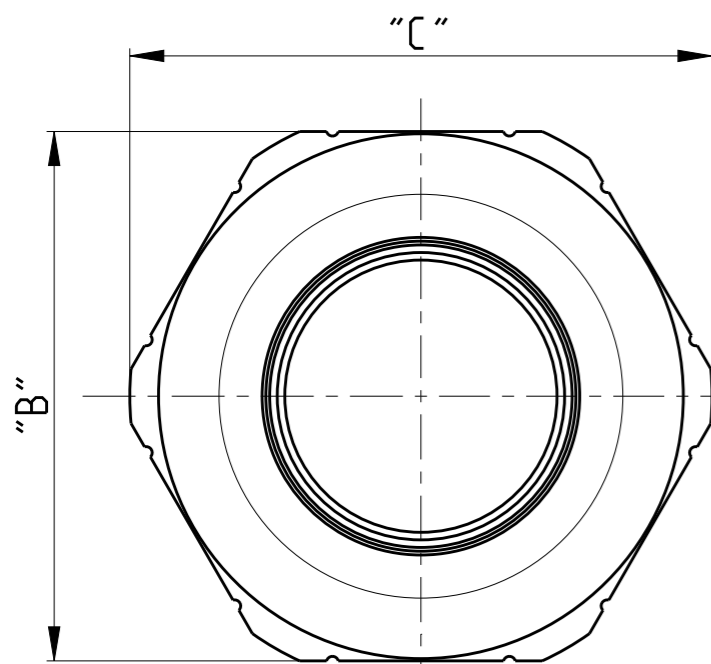
P	LTR	DESCRIPTION	DATE	DWN	APVD
A2		REVISED PER ECR-16-016780	28AUG2017	NG	MKO
A3		REVISED PER ECR-17-014033	08FEB2018	SRG	MKO
A4		REVISED PER ECR-18-003249	11APR2019	SR	MKO



Notes
 1 PACKAGING:
 10 PIECES IN A CARTON
 2 PACKAGING:
 5 PIECES IN A CARTON

QTY.	DESCRIPTION	MATERIAL	SURFACE / COLOR	ITEM
1	SEALING INSERT	TPE-V		6
1	PRESSURE NUT	BRASS	NICKEL PLATED	5
1	OUTER CONE	BRASS	NICKEL PLATED	4
1	INNER CONE	BRASS	NICKEL PLATED	3
1	DOUBLE NIPPLE	BRASS	NICKEL PLATED	2
1	O-RING	NBR	BLACK	1

PARTS LIST



2	OBSOLETE	2-5	PG 29	40	43.5	39	13	24	26.0-22.0	0.153
2	SUPERSEDED BY T3707290101-000	2-3	PG 29	40	43.5	39	13	20	23.0-19.0	0.151
1	SUPERSEDED BY T3707210101-000	2-2	PG 21	35	38.5	34	12	18	20.0-17.0	0.132
1	OBSOLETE	1-9	PG 21	30	33.5	32	12	13	16.5-14.0	0.132
1	OBSOLETE	1-8	PG 21	30	35.5	32	12	10.5	14.0-10.0	0.132
1	SUPERSEDED BY T3707160101-000	1-6	PG 16	30	33.5	32	11	13	16.5-14.0	0.096
1	OBSOLETE	1-4	PG 16	30	33.5	32	11	8	11.5-10.0	0.095
1	SUPERSEDED BY T3707160101-000	1-1	PG 16	30	33.5	32	11	7	10.5-8.0	0.095
1	OBSOLETE	0-7	PG 13.5	24	26.7	31	10	3.3	6.5-4.0	0.081
1	SUPERSEDED BY T3706110203-000	0-6	PG 11	24	26.7	31	10	7	11.0-8.0	0.072
1	SUPERSEDED BY T3706110203-000	0-4	PG 11	24	26.7	31	10	6	6.5-4.0	0.073
	PART NO.		"A"	"B"	"C"	"D"	"E"	"F"	"RANGE"	WEIGHT [kg]

THIS DRAWING IS A CONTROLLED DOCUMENT.

DWN H.J.BAUM 21JUL2009
 CHK T.SCHNURPFEL 21JUL2009
 APVD -

PRODUCT SPEC -
 APPLICATION SPEC -
 WEIGHT -

STE TE Connectivity

NAME CABLE GLAND ASS'Y
 SERIES EMV-DICHT. PG

SIZE A3 CAGE CODE 00779 DRAWING NO. C-1106007 RESTRICTED TO -

CUSTOMER DRAWING SCALE 5:1 SHEET 1 OF 1 REV A4