

THIS DRAWING IS UNPUBLISHED.

RELEASED FOR PUBLICATION

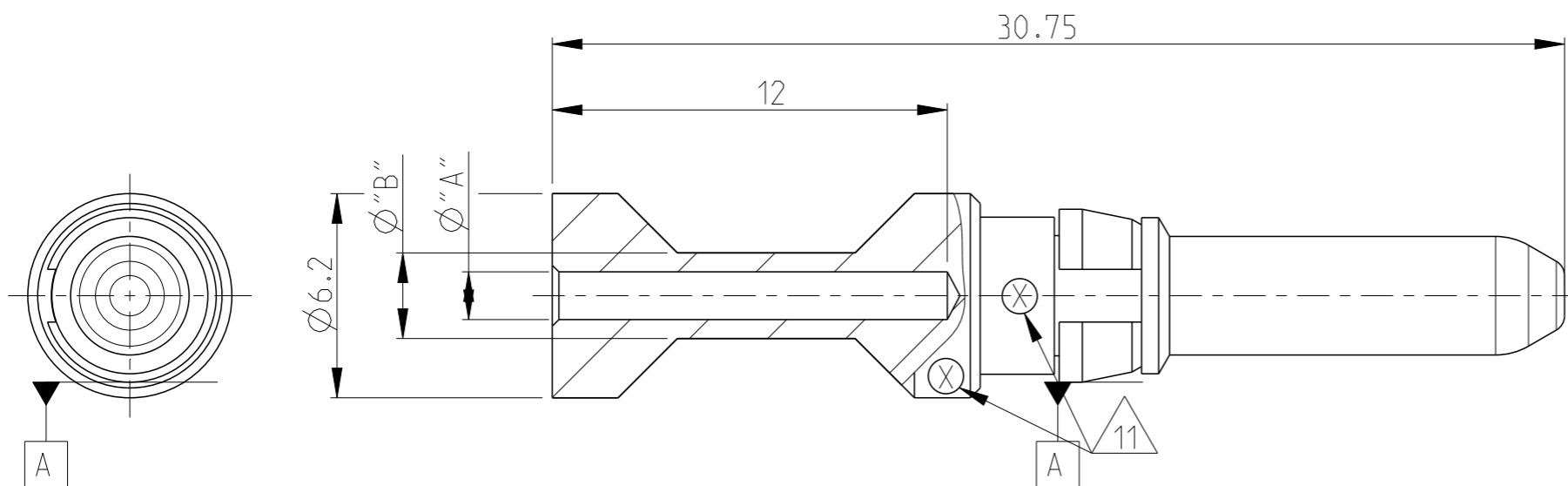
2006

© COPYRIGHT 2006 BY -

ALL RIGHTS RESERVED.

REVISIONS

P	LTR	DESCRIPTION	DATE	DWN	APVD
A3		ECR-09-005436	10MAR2010	VG	MH
A4		ECR-16-016696	23AUG2017	GCM	MKO
A5		ECR-21-123503	12MAR2022	RK	JB
A6		REVISED PER ECR-24-201358	18APR2024	RK	WR

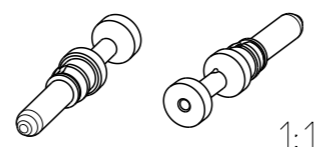


Notes

- 1 MATERIAL: BRASS
- 2 FINISH SILVER PLATING: 2 µm Ag MIN. OVER Cu
- 3 FINISH GOLD PLATING: 0.75 µm Au MIN. OVER Ni
- 4 NO VENTILATION HOLE REQUIRED AT CROSS-SECTION >4.0 MM²
- 5 WEIGHT: 3.33 g, VOLUME: 394mm³ (APPROX.)
- 6 SUITABLE SOCKET CONTACT: CUSTOMER DRAWING 1105251
- 7 SUITABLE INSERTS: SERIES HSM, CUSTOMER DRAWING
- 8 SUITABLE CRIMP TOOL: PN 1-1105850-8
- 9 SUITABLE INSERTION TOOL: PN 0-1102855-6
- 10 SUITABLE EXTRACTION TOOL: PN 0-1102855-4
- 11 CROSS-SECTION MARKING
- 12 STANDARDS: DIN EN 61984, DIN EN 60664-1

ORDERING TEXT	PLATING	CROSS SECTION	DIMENSIONS	CROSS-SECTION MARKINGS	STRIPPING-LENGTH		
		[MM ²]	"A"	"B"	[mm]		
PARTS LIST							
OBSOLETE	HSM.Sti.C.Au	10.0mm ²	10	4.35	5.9	8	12
OBSOLETE	HSM.Sti.C.Au	6.0mm ²	6.0	3.5	4.9	7	12
OBSOLETE	HSM.Sti.C.Au	4.0mm ²	4.0	2.85	3.9	6	12
OBSOLETE	HSM.Sti.C.Au	2.5mm ²	2.5	2.2	3.2	5	12
OBSOLETE	HSM.Sti.C.Au	1.5mm ²	1.5	1.8	3.0	4	12
OBSOLETE	HSM.Sti.C.Au	0.75mm ²	0.75-1.0	1.45	2.6	3	12
OBSOLETE	HSM.Sti.C.Ag	10.0mm ²	10	4.35	5.9	8	12
	HSM.Sti.C.Ag	6.0mm ²	6.0	3.5	4.9	7	12
	HSM.Sti.C.Ag	4.0mm ²	4.0	2.85	3.9	6	12
OBSOLETE	HSM.Sti.C.Ag	2.5mm ²	2.5	2.2	3.2	5	12
	HSM.Sti.C.Ag	1.5mm ²	1.5	1.8	3.0	4	12
OBSOLETE	HSM.Sti.C.Ag	0.75mm ²	0.75-1.0	1.45	2.6	3	12

THIS DRAWING IS A CONTROLLED DOCUMENT.		DWN V.GLUMM 10MAR2010	STE TE Connectivity			
DIMENSIONS: mm		CHK H.BRAUN 10MAR2010				
TOLERANCES UNLESS OTHERWISE SPECIFIED:		APVD T.SCHNURPFIL 10MAR2010	NAME PIN CONTACT SERIES HSM			
0 PLC ±		PRODUCT SPEC				
1 PLC ±		APPLICATION SPEC	SIZE A3	CAGE CODE 00779	DRAWING NO C=1105250	RESTRICTED TO
2 PLC ±		WEIGHT	SCALE 5:1		SHEET 1 OF 1	REV A6
3 PLC ±		CUSTOMER DRAWING				
4 PLC ±						
ANGLES ±0.5°						
FINISH						
1						
2						
3						



1:1