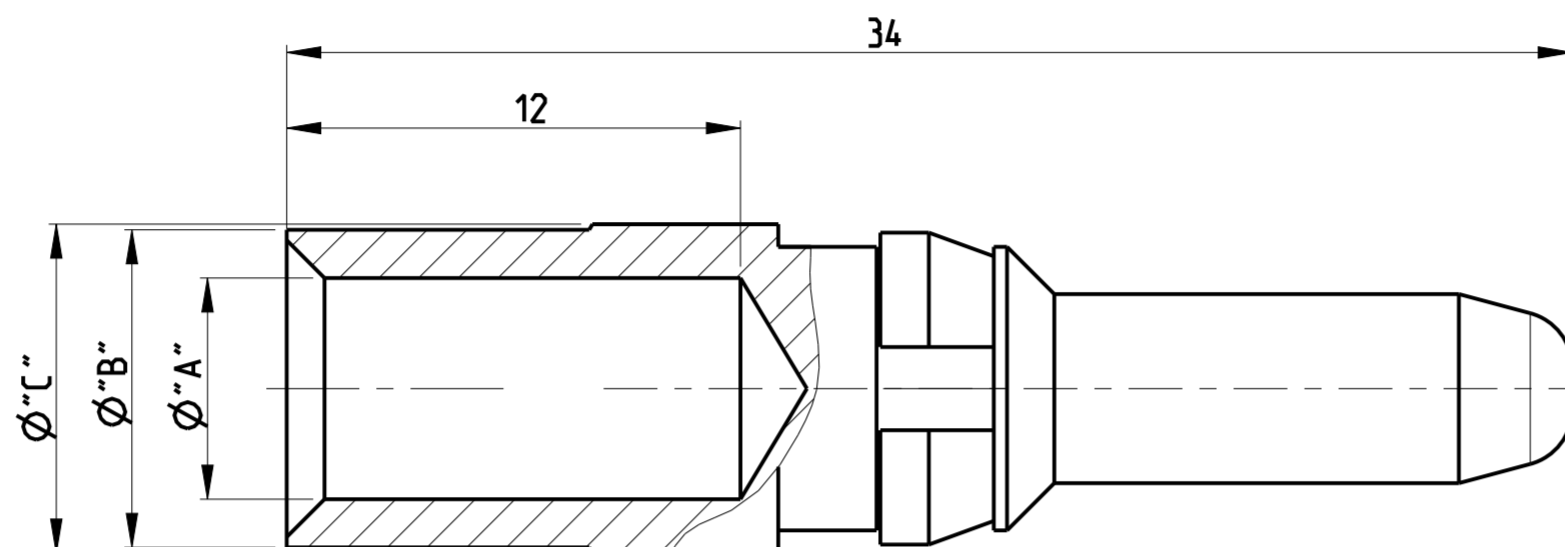
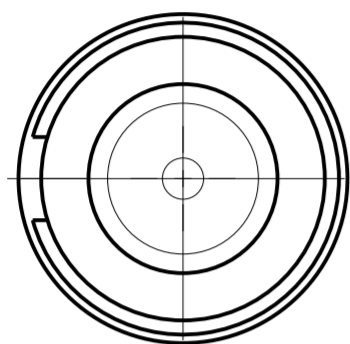


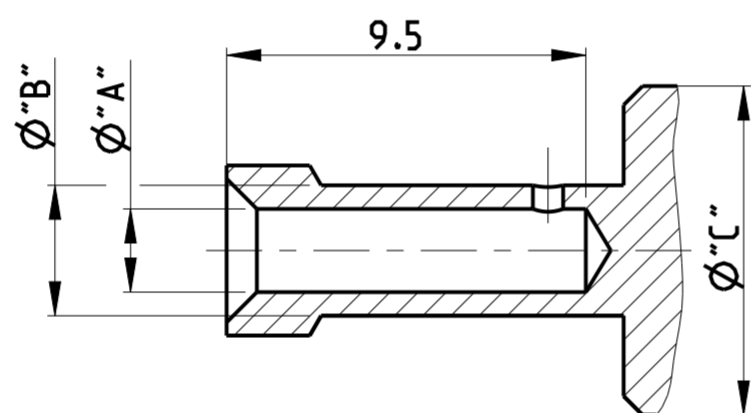
THIS DRAWING IS UNPUBLISHED. RELEASED FOR PUBLICATION
 (C) COPYRIGHT. ALL RIGHTS RESERVED.

LOC	DIST	REVISIONS					
		P	LTR	DESCRIPTION	DATE	DWN	APVD
B1	-	D3		REVISED PER ECO-11-005150	31MAR2011	RK	HMR
		D4		ECR-14-007793	26AUG2014	RK	MKO

WIRE CROSS-SECTION:
 $\varnothing 6\text{mm}^2 - 16\text{mm}^2$



WIRE CROSS-SECTION:
 $\varnothing 2.5\text{mm}^2 / 4\text{mm}^2$



Notes

- 1 MATERIAL: BRASS
- 2 FINISH SILVER PLATING: 2 μm Ag MIN. OVER Cu
- 3 FINISH GOLD PLATING: 0.75 μm Au MIN. OVER Ni
- 4 WEIGHT (MAX.): 7.60 g, VOLUME (MAX.): 932mm³ (APPROX.)
- 5 SUITABLE SOCKET CONTACT: CUSTOMER DRAWING 1105151
- 6 SUITABLE INSERTS: SERIES HSS. CUSTOMER DRAWING
- 7 SUITABLE CRIMP TOOL: PN 1-1105850-8
- 8 SUITABLE INSERTION TOOL: -
- 9 SUITABLE EXTRACTION TOOL: PN 0-1102855-5
- 10 FINE WIRE DIA. MAX. $\varnothing 4.5$
- 11 PACKAGING:
25 PIECES IN A POLY-BAG
1 POLY-BAG IN A CARTON
- 12 PACKAGING:
1 PIECES LOOSE
- 13 STANDARDS: DIN EN 61984, DIN EN 60664-1

							11	12
HSS-C-Sti.Au.16.0 mm ²	GOLD	16.0	5.85	8.4	8.7	12	5-2	9-3
HSS-C-Sti.Au.10.0 mm ²		10.0	4.35	5.9	8.7	12	4-2	9-2
HSS-C-Sti.Au.6.0 mm ²		6.0	3.5	4.9	8.7	12	3-2	9-1
HSS-C-Sti.Ag.25.0 mm ²	SILVER	25.0	7	9.45	9.6	12	6-1	8-7
HSS-C-Sti.Ag.16.0 mm ²		16.0	5.85	8.4	8.7	12	5-1	8-6
HSS-C-Sti.Ag.10.0 mm ² -fine		10.0	4.6	5.9	8.7	12	4-3	8-5
HSS-C-Sti.Ag.10.0 mm ²		10.0	4.35	5.9	8.7	12	4-1	8-4
HSS-C-Sti.Ag.6.0 mm ²		6.0	3.5	4.9	8.7	12	3-1	8-3
HSS-C-Sti.Ag.4.0 mm ²		4.0	2.8	3.9	8.7	12	2-1	8-2
HSS-C-Sti.Ag.2.5 mm ²		2.5	2.2	3.45	8.7	12	1-1	8-1
		[MM ²]	"A"	"B"	"C"	[MM]	PN	PN
ORDERING TEXT	PLATING	CROSS SECTION	DIMENSIONS			STRIPPING-LENGTH	WITH CLIP	

PARTS LIST

THIS DRAWING IS A CONTROLLED DOCUMENT.		DWN K.SCHROEDER 08APRIL2008	TE Connectivity	
DIMENSIONS: mm		CHK H.BRAUN		
TOLERANCES UNLESS OTHERWISE SPECIFIED:		APVD T.SCHNURPFEL	NAME PIN CONTACT SERIES HSS	
0 PLC ±		PRODUCT SPEC 108-74016	SIZE A2	
1 PLC ±		APPLICATION SPEC 114-74028	CAGE CODE 00779	DRAWING NO C-1105150
2 PLC ±		WEIGHT -	RESTRICTED TO -	
3 PLC ±		MATERIAL 1	SCALE 5:1	
4 PLC ±		FINISH 2 3	SHEET 1 OF 1	
ANGLES ±0.5°		Customer Drawing		
FINISH		REV 04		

