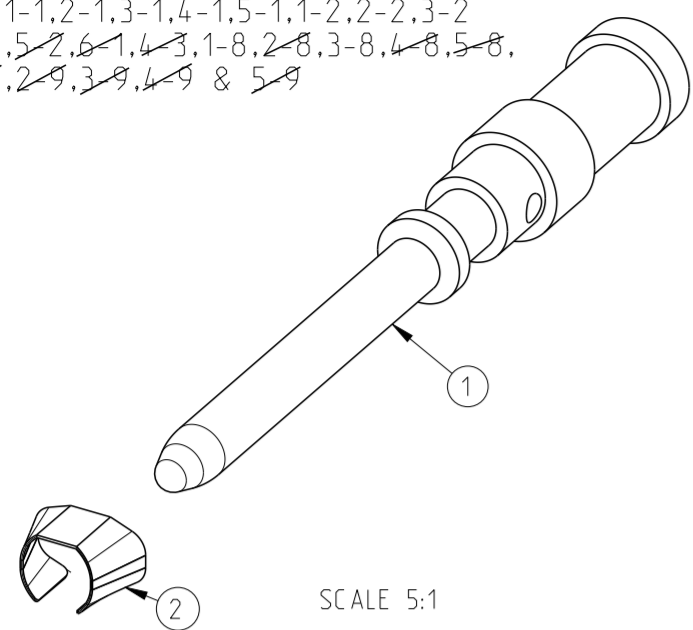
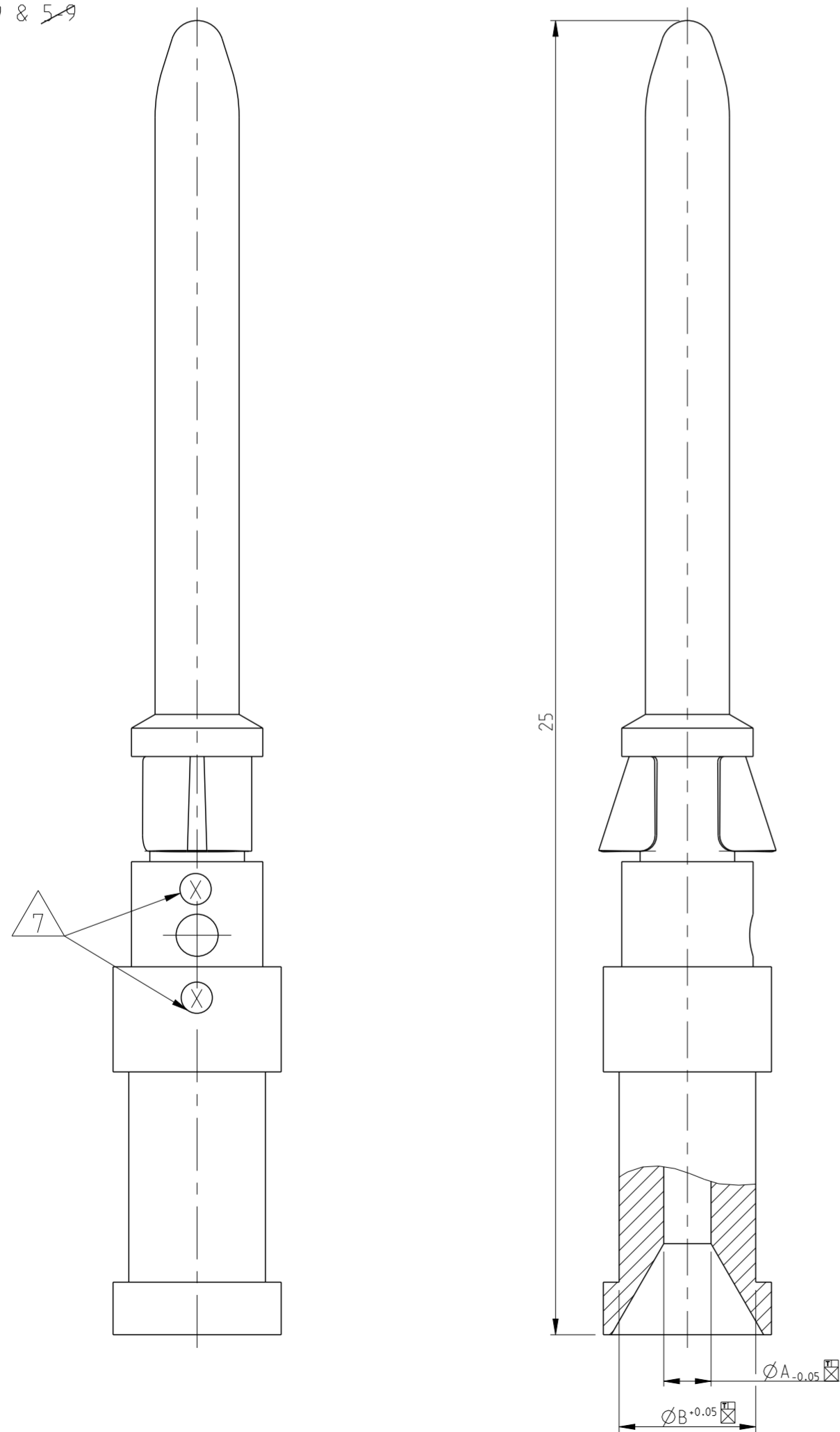


PN 1-1.2-1.3-1.4-1.5-1.1-2.2-2.3-2  
4-2.5-2.6-1.4-3.1-8.2-8.3-8.4-8.5-8.  
~~4-9.2-9.3-9.4-9 & 5-9~~



SCALE 5:1

PN 1-1.2-1.3-1.4-1.5-1.1-2.2-2.3-2  
4-2.5-2.6-1.4-3.1-8.2-8.3-8.4-8.5-8.  
~~4-9.2-9.3-9.4-9 & 5-9~~



25

$\varnothing A_{-0.05}$

$\varnothing B_{-0.05}$

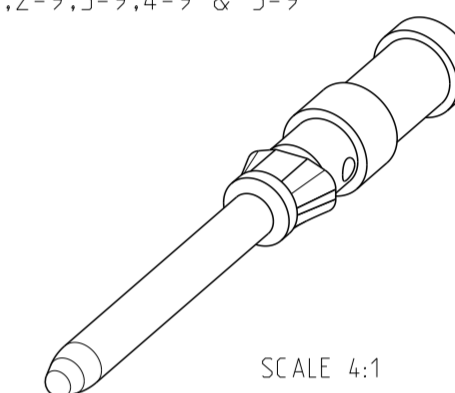
REVISIONS

P	LTR	DESCRIPTION	DATE	DWN	APVD
B13		Released As per ECR-09-005436	9-Mar-2009	CJ	TS
B14		ECR-11-002636	05APR2011	SR	AR
B15		REVISED PER ECR-16-016780	19AUG2017	NG	MKO
B16		REVISED PER ECR-21-123503	12MAR2022	RK	JB

NOTES

- 1 MATERIAL SEE TABLE
- 2 SURFACE SEE TABLE
- 3 ASSEMBLY WEIGHT SEE TABLE
- 4 PACKAGING: 50 PIECES IN POLY-BAG 0-1243085-8
- 5 PACKAGING: 500 PIECES IN POLY-BAG 0-1243085-8
- 6 PACKAGING: 10 PIECES IN POLY-BAG 0-1243085-8
- 7 CROSS-SECTION MARKING

PN 1-1.2-1.3-1.4-1.5-1.1-2.2-2.3-2  
4-2.5-2.6-1.4-3.1-8.2-8.3-8.4-8.5-8.  
~~4-9.2-9.3-9.4-9 & 5-9~~



SCALE 4:1

QTY	DESCRIPTION	WEIGHT IN (KG)	MATERIAL	SURFACE	$\varnothing A$	$\varnothing B$	CROSS SECTION MARKING	POS
1	Catch Spring		Stainless Steel					2
1	Pin Contact 1.5 mm <sup>2</sup>	0.00062	Ms/Brass	Ag/Ni	1.8	3.0		4
1	Pin Contact 4.0 mm <sup>2</sup>	0.00059	Ms/Brass	Ag/Ni	2.4	3.2		6
1	Pin Contact 2.5 mm <sup>2</sup>	0.00067	Ms/Brass	Au	2.2	3.2		5
1	Pin Contact 1.5 mm <sup>2</sup>	0.00067	Ms/Brass	Au	1.8	3.0		4
1	Pin Contact 0.75-10 mm <sup>2</sup>	0.00063	Ms/Brass	Au	1.45	2.6		3
1	Pin Contact 0.5 mm <sup>2</sup>	0.00062	Ms/Brass	Au	1.1	2.6		2
1	Pin Contact 0.14-0.37 mm <sup>2</sup>	0.00061	Ms/Brass	Au	0.9	2.6		1
1	Pin Contact 2.5 mm <sup>2</sup>	0.00065	Ms/Brass	Ag/Cu	2.2	3.2		5
1	Pin Contact 1.5 mm <sup>2</sup>	0.00067	Ms/Brass	Ag/Cu	1.8	3.0		4
1	Pin Contact 0.75-10 mm <sup>2</sup>	0.00063	Ms/Brass	Ag/Cu	1.45	2.6		3
1	Pin Contact 0.5 mm <sup>2</sup>	0.00062	Ms/Brass	Ag/Cu	1.1	2.6		2
1	Pin Contact 0.14-0.37 mm <sup>2</sup>	0.00061	Ms/Brass		0.9	2.6		1
1	Pin Contact 0.14-0.37 mm <sup>2</sup>	0.00065	Fe	Au	0.9	2.6		1
1	Pin Contact 0.14-0.37 mm <sup>2</sup>	0.00067	Ms/Brass	Ag/Cu	0.9	2.6		1

OBSOLETE  
OBSOLETE

THIS DRAWING IS A CONTROLLED DOCUMENT.

DWN	Braun	23.07.1997
CHK	Schurpfeil	23.07.1997
APVD		
PRODUCT SPEC	108-74018	
APPLICATION SPEC	114-74015	
WEIGHT		
CUSTOMER DRAWING		



NAME PIN CONTACT SERIES HN.D			
SIZE	CAGE CODE	DRAWING NO	RESTRICTED TO
A2	100779	C-1105050	
SCALE 10:1			SHEET 1 OF 1
			REV B16

DIMENSIONS:	TOLERANCES UNLESS OTHERWISE SPECIFIED:
mm	ISO 2768
	0 PLC
	1 PLC
	2 PLC
	3 PLC
	4 PLC
	ANGLES
	FINISH