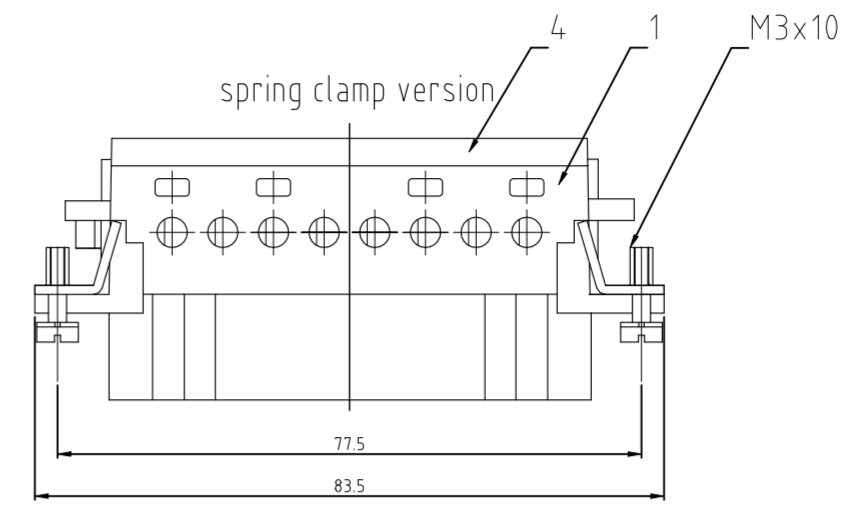
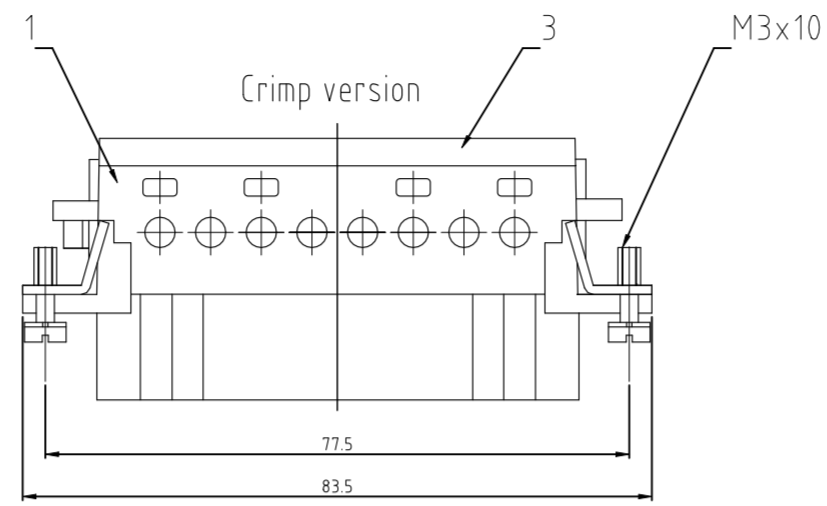
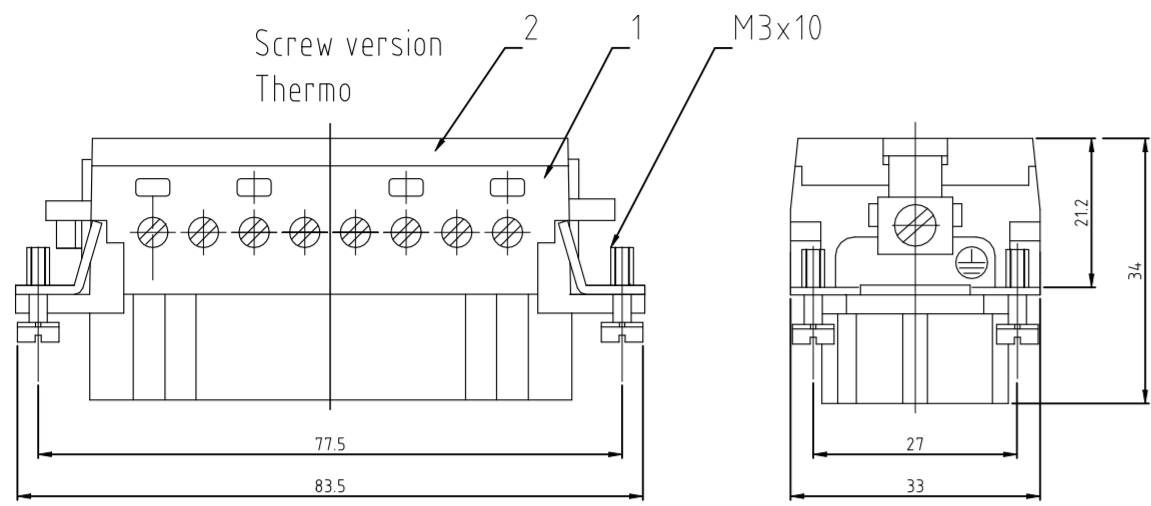


THIS DRAWING IS UNPUBLISHED.
VERTRÄULICHE UNVERÖFFENTLICHTE ZEICHNUNG

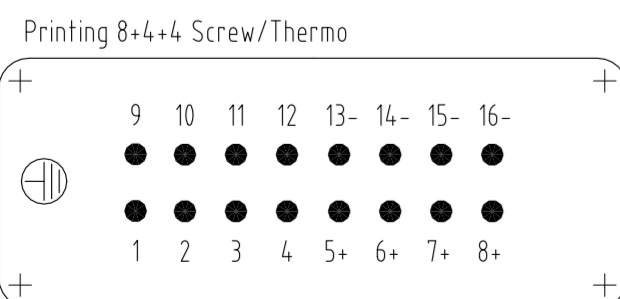
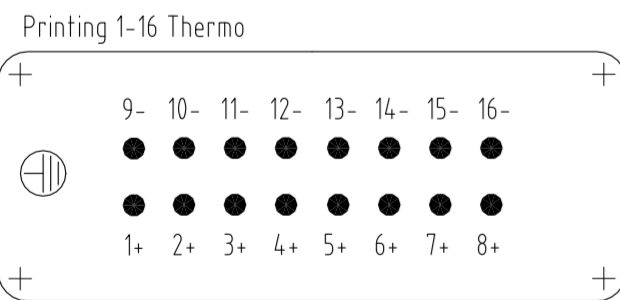
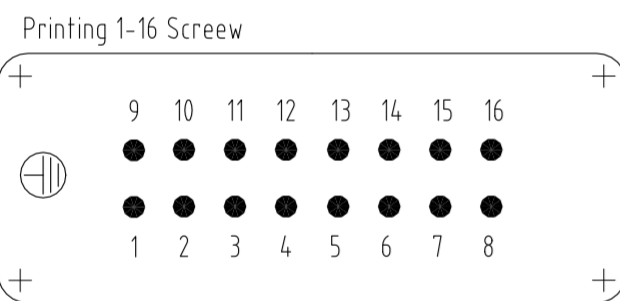
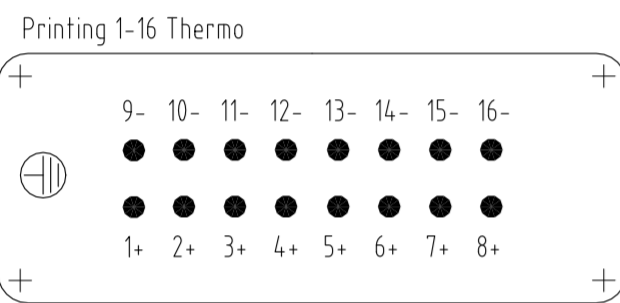
RELEASED FOR PUBLICATION
FREI FUER VERÖFFENTLICHUNG
ALL RIGHTS RESERVED.
ALLE RECHTE VORBEHALTEN

MATED WITH:
PASSEND ZU:
HE

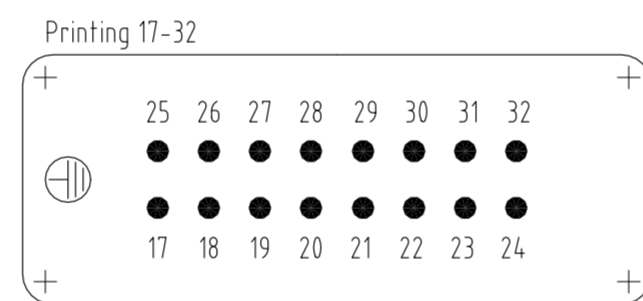
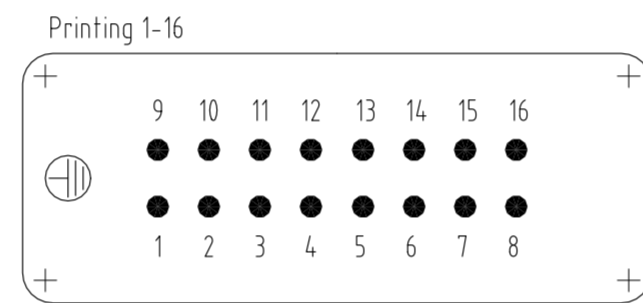
REVISIONS ÄNDERUNGEN				
P	LTR	DESCRIPTION BESCHREIBUNG	DATE	APVD
C13	ECR-21-123503		06JUL2022	RK JB



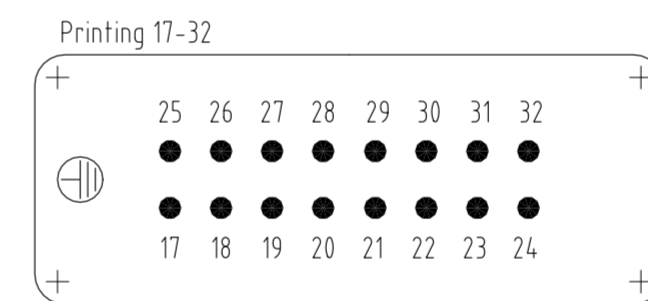
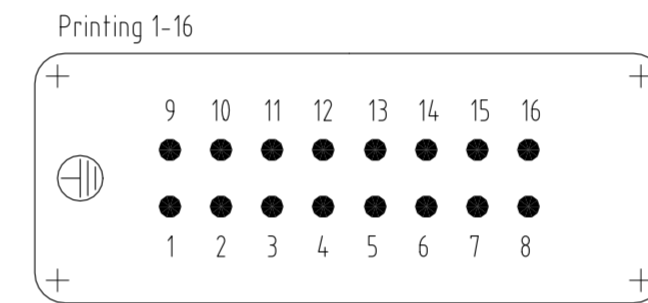
Contact arrangement view from termination side



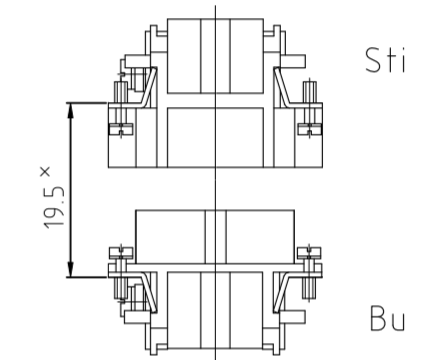
Contact arrangement view from termination side



Contact arrangement view from termination side



assembly directions

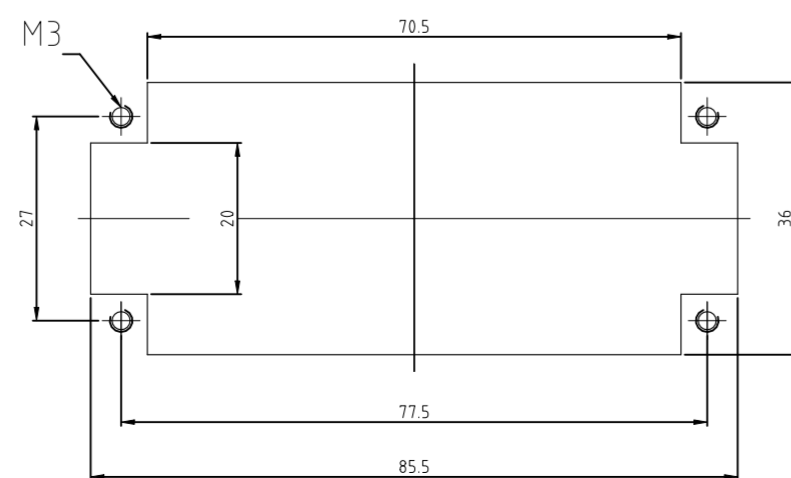


X distance for a safe contact max: max: 21 mm

NOTES:

- 1 SUITABLE CRIMP CONTACTS: SERIES HE/HA
OUTER DIMENSIONS OF INSULATION: MAX. $\phi 3,2$ MM
- 2 SUITABLE HOOD SIZE 6; 10; SERIES HB; HD;HIP,EMV
SUITABLE INSERTION AND EXTRACTION TOOL:
SCREWDRIVER 0,5x3 DIN 5264
- 3 Strip lenght: Screw conection 10mm
Spring clamp conection 10mm Crimp conection 7.5mm
- 4 STANDARDS:
DIN EN 61984; DIN EN 60664-1
- 5 PACKAGING:
5 SETS IN A CARTON, PRE-MOUNTED
- 6 SPECIAL PACKAGING: Krauss-Maffei
PACKAGING UNIT: 200 PIECES

Panel cut-out for contact insert when used without housing



OBSELETE	OBSELETE	OBSELETE	OBSELETE	OBSELETE	OBSELETE	OBSELETE	OBSELETE
HE.16.Bu.S.B1-16-KM	HE.16.Bu.S.T-B-8+4+4	HE.16.Bu.S.B1-16-AU	HE.16.Bu.S.C.B-17-32	HE.16.Bu.S.C.B-1-16	HE.16.Bu.C.B-1-16	HE.16.Bu.S.B-17-32	HE.16.Bu.S.T-B-1-16

DESCRIPTION / BENENNUNG	MATERIAL	COLOR / FARBE	ITEM NO. POS.	REMARKS / BEMERKUNGEN
Deckel Federklemmversion		lichtgrau	4	
Deckel Crimpversion		lichtgrau	3	
Deckel Schraubversion		lichtgrau	2	
Buchseneinsatz		lichtgrau	1	

THIS DRAWING IS A CONTROLLED DOCUMENT. DIESE ZEICHNUNG IST EIN KONTROLLIERTES DOKUMENT.		DWN 08.02.2000	 TE Connectivity Female insert HE.16.BU.C/S
DIMENSIONS: MASSENHEITEN mm		CHK 08.02.2000	
TOLERANCES, UNLESS OTHERWISE SPECIFIED: ALLGEMEINTOLERANZEN		APVD -	
MATERIAL		NAME	
FINISH / OBERFLAECHE / FARBE		PRODUCT SPEC PRODUKTSPEZ.	SIZE
MATERIAL		APPLICATION SPEC. VERARBEITUNGSSPEZ.	CAGE CODE
MATERIAL		WEIGHT GEWICHT	DRAWING NO. ZEICHNUNGS-NR.
MATERIAL		CUSTOMER DRAWING / KUNDENZEICHNUNG	RESTRICTED TO NUR FUER
MATERIAL		SCALE MASSTAB 1:1	REVISIONS
MATERIAL		SHEET BLATT 1 OF 1	DATE
MATERIAL		REV C13	DATE