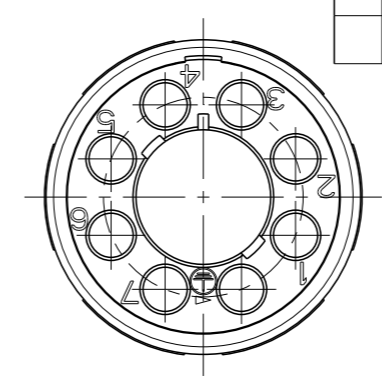
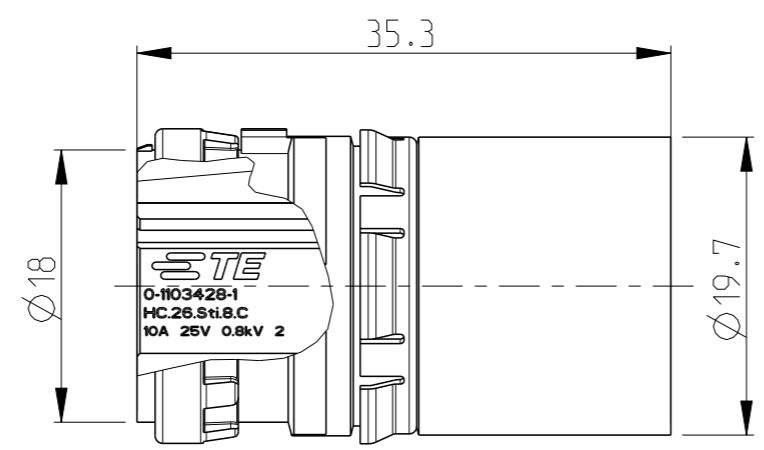
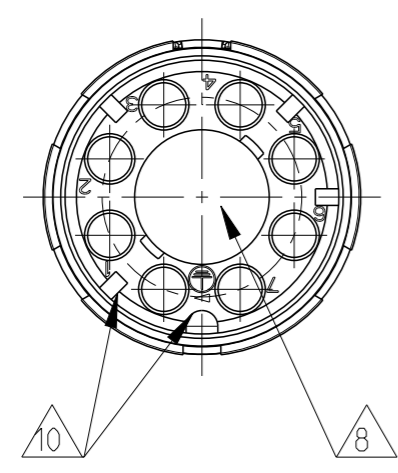
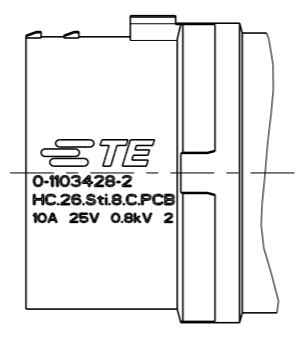


LOC	DIST	REVISIONS			
P	LTR	DESCRIPTION	DATE	DWN	APVD
		C2	ECR-11-021475	24OCT2011	GW BR
		C3	ECR-15-014241	27OCT2015	RK JB
		C4	REV. PER ECR-16-000458	12JAN2016	ER DO
		C5	PRINT (PARTIAL) MOVED TO ITEM NO. 1 (PCN E-17-007296)	23MAY2017	ER DO

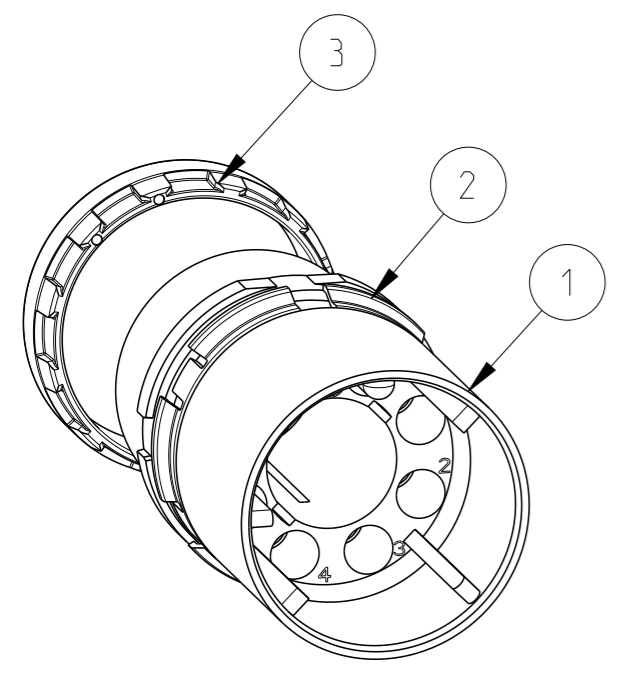
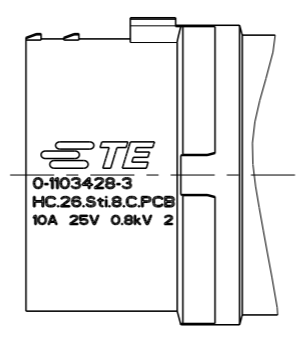


- Notes
- SUITABLE HOUSINGS: SERIES HC26
CUSTOMER DRAWING: 1103433, 1103434
 - OUTER DIMENSIONS OF INSULATION: MAX. Ø3.2 MM
 - SUITABLE CRIMP CONTACTS:
CUSTOMER DRAWING: 827040
 - SUITABLE SUB-MIN. COAXICON CONTACTS:
CUSTOMER DRAWING: 51563
 - SUITABLE LWL (OPTICS) CONTACTS:
CUSTOMER DRAWING: 216341
 - SUITABLE INSERTION TOOL:
CUSTOMER DRAWING: 1102855
 - SUITABLE EXTRACTION TOOL:
CUSTOMER DRAWING: 1102855
 - SUITABLE SIGNAL INSERT:
CUSTOMER DRAWING: 1103426
 - STANDARDS:
DIN EN 61984, DIN EN 60664-1
 - POLARIZATION RIPS
 - PACKAGING 0-1 /0-2:
40 SETS IN A CARTON
 - PACKAGING 0-3:
40 PIECE

LABELING PN 0-2




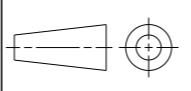
LABELING PN 0-3



PN 0-1 AS SHOWN

PN/QTY	DESCRIPTION	MATERIAL	COLOR	NOTE	ITEM
- - 1	ADAPTOR RING	PA-66-GF25	GREY	SERIES HC26, INSERT	3
- - 1	RETAINING RING	PA-66-GF25	GREY	SERIES HC26, INSERT	2
1 1 1	MALE INSERT	PBT-GF10	GREY	SERIES HC26, INSERT	1

THIS DRAWING IS A CONTROLLED DOCUMENT.

DIMENSIONS: mm	TOLERANCES UNLESS OTHERWISE SPECIFIED:	DWN H.BRAUN 28OCT2008	 TE Connectivity
	0 PLC ± 1 PLC ± 2 PLC ± 3 PLC ± 4 PLC ± ANGLES ±	CHK T.VETTER 28OCT2008	
		APVD T.SCHNURPFEL 28OCT2008	
MATERIAL -	FINISH -	NAME MALE INSERT ASS'Y SERIES HC26, 8-POS., TYPE III+ CIRCULAR HYBRID CONNECTOR PRODUCT SPEC 108-94485 APPLICATION SPEC 114-94369 WEIGHT -	

Customer Drawing SCALE 2:1 SHEET 1 OF 1 REV C5