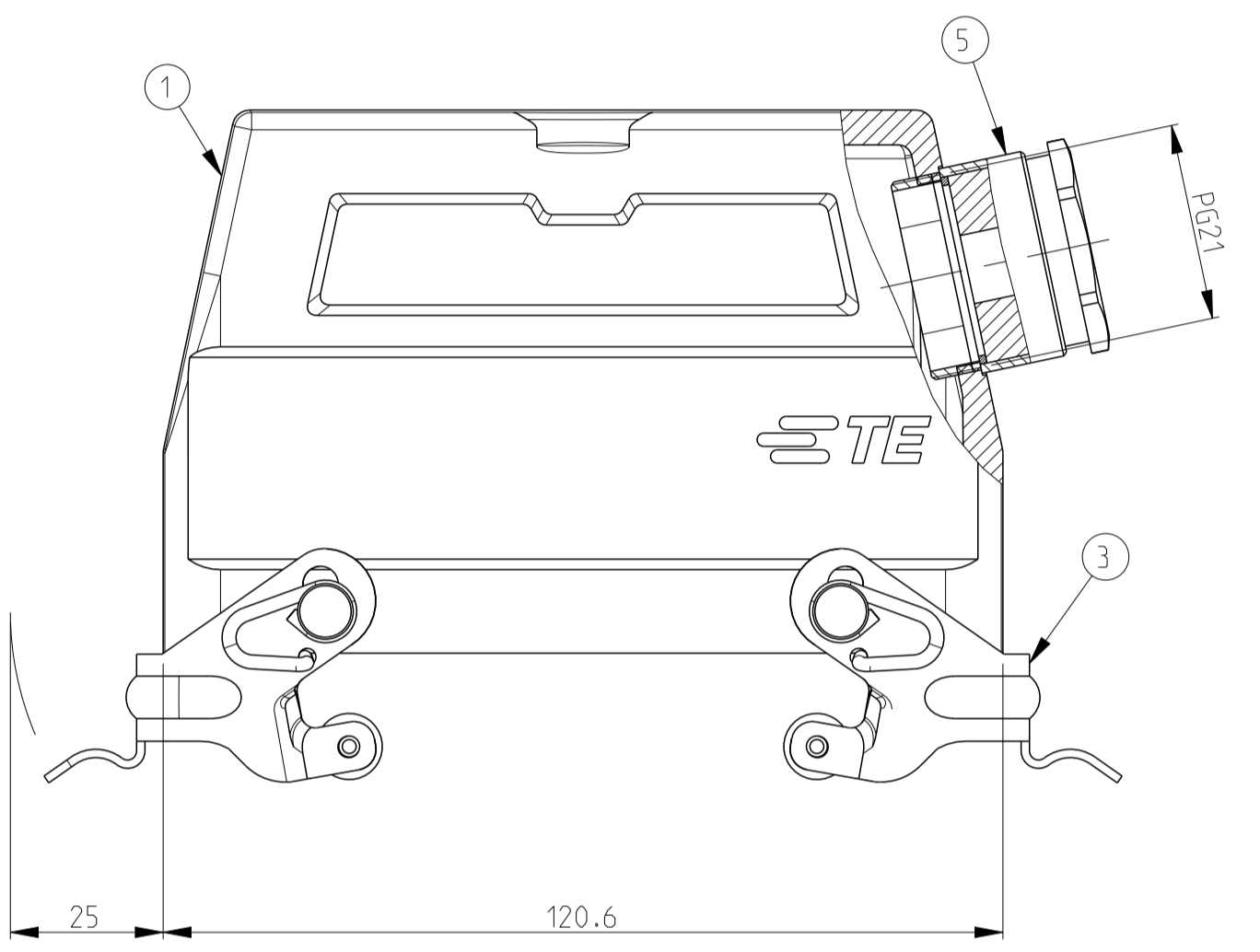
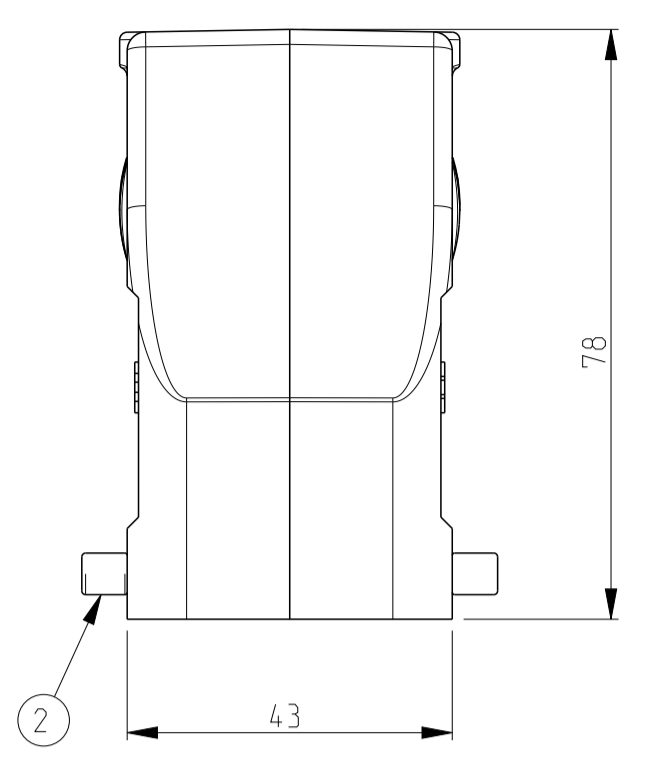
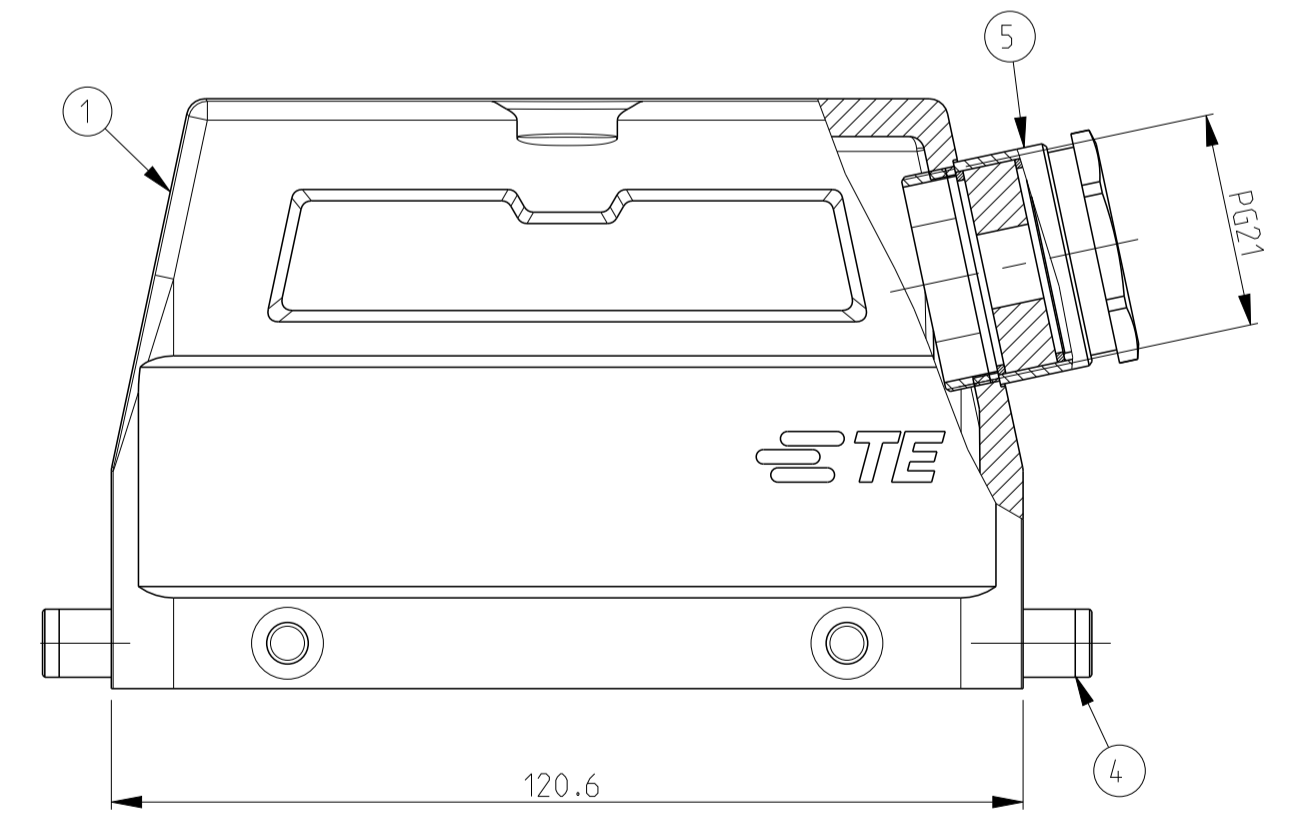
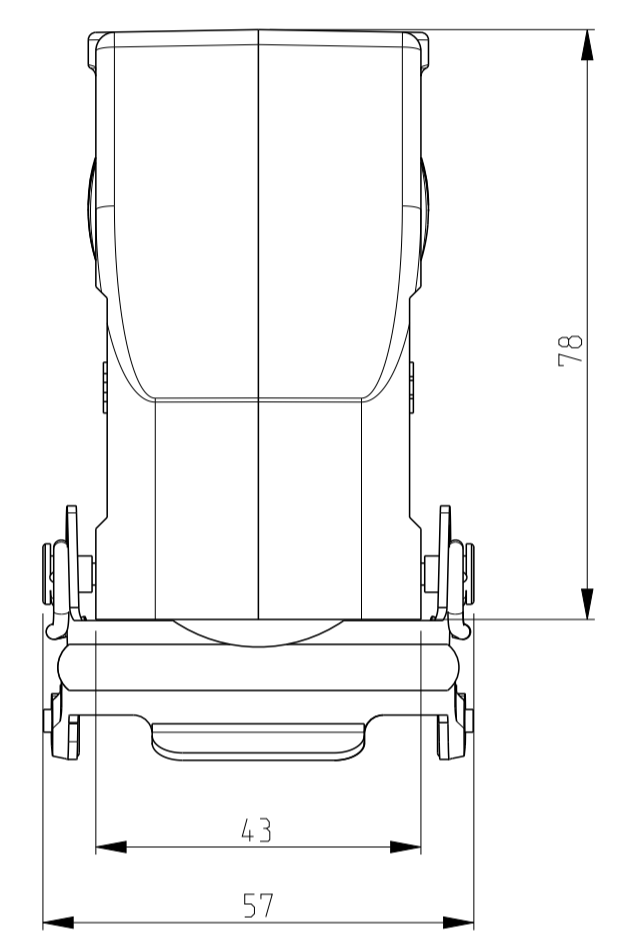


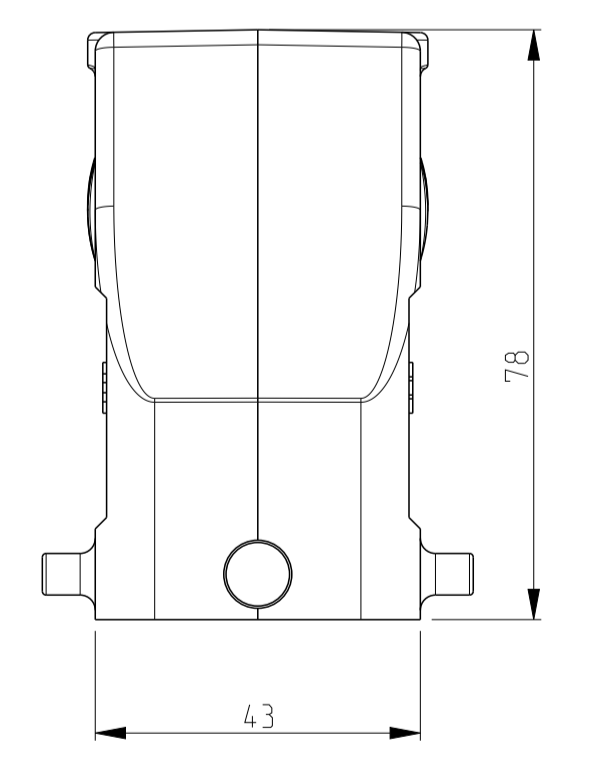
PN 1-6



PN 1-1



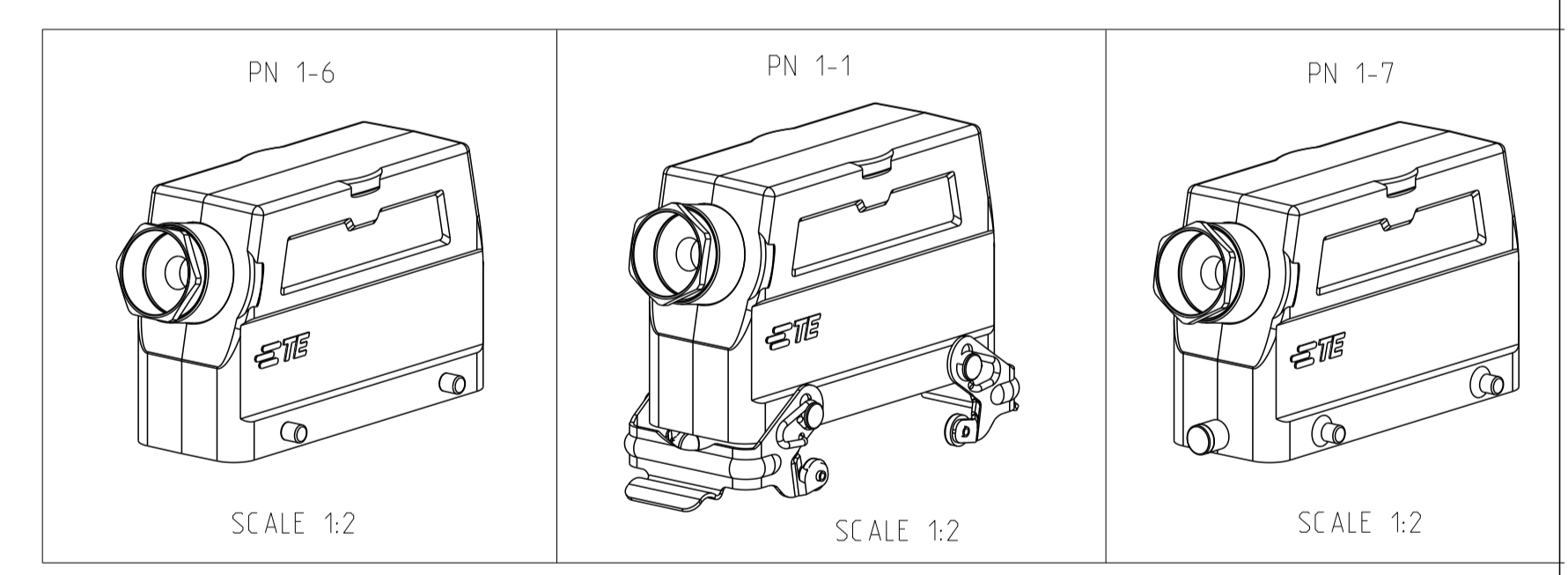
PN 1-7



REVISIONS					
P	LTN	DESCRIPTION	DATE	DMN	APVD
A2		Released as per ECR-07-030424	17.12.07	SP	TS
A3		ECR-16-016780	25SEP2017	GV	MKO
A4		REVISED PER ECR-24-207461	02SEP2024	RK	WR

NOTES.

- 1 Material:Housing:Aluminium Diecasting Alloy
- 2 Surface:Powder varnish grey
- 3 Varnish on the inside not necessary
- 4 Packaging
Quantity 5 Pieces in a box



QTY	DESCRIPTION	MATERIAL	SURFACE	COLOR	ITEM NO	REMARKS
1	1 Cable connection round	Brass	Nickel plated	Blue	5	PG21
4	4 LB-Clip bolt	Steel	Zinc plated	Blue	4	
2	2 VS-Clip bolt	Steel	Zinc plated	Blue	3	
4	4 VS-Clip bolt	Steel	Zinc plated	Blue	2	
1	1 HD Hood	Aluminium	-	Grey	1	

THIS DRAWING IS A CONTROLLED DOCUMENT.

DMN: 29.07.2003
 CDR: Schneider
 CHK: 29.07.2003
 APVD: Schneider

NAME: Hood
 HD.64.STS.1.21

PRODUCT SPEC: HD.64.STS.1.21
 APPLICATION SPEC: HD.64.STS-VS.1.21
 WEIGHT: HD.64.STS-GR.1.21

MATERIAL: -
 FINISH: -

SCALE: 1:1
 SHEET: 1 OF 1
 REV: A4

TE Connectivity