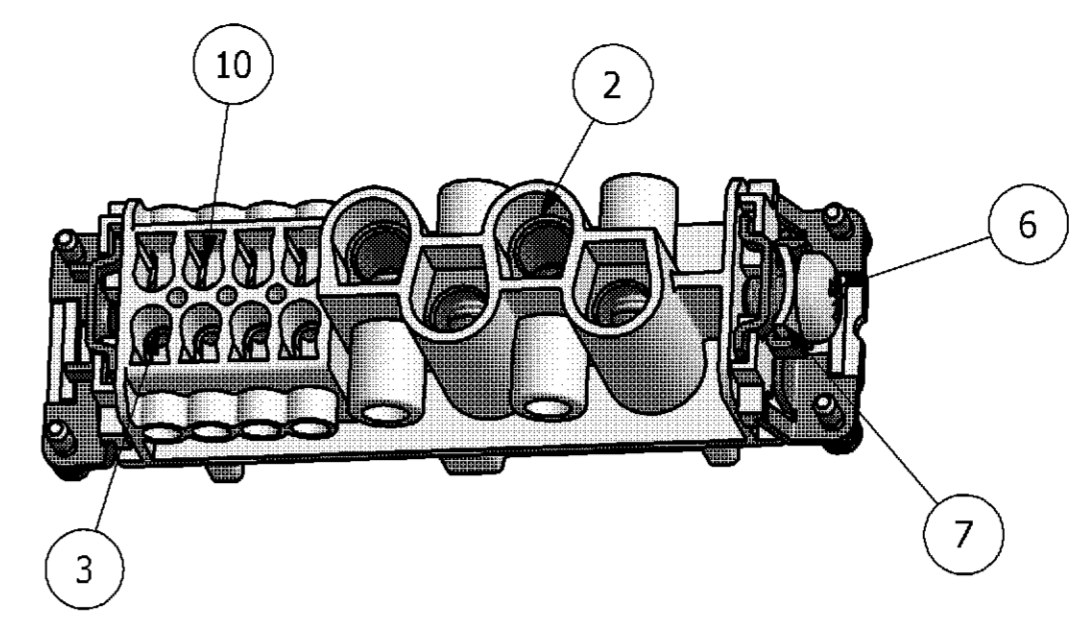
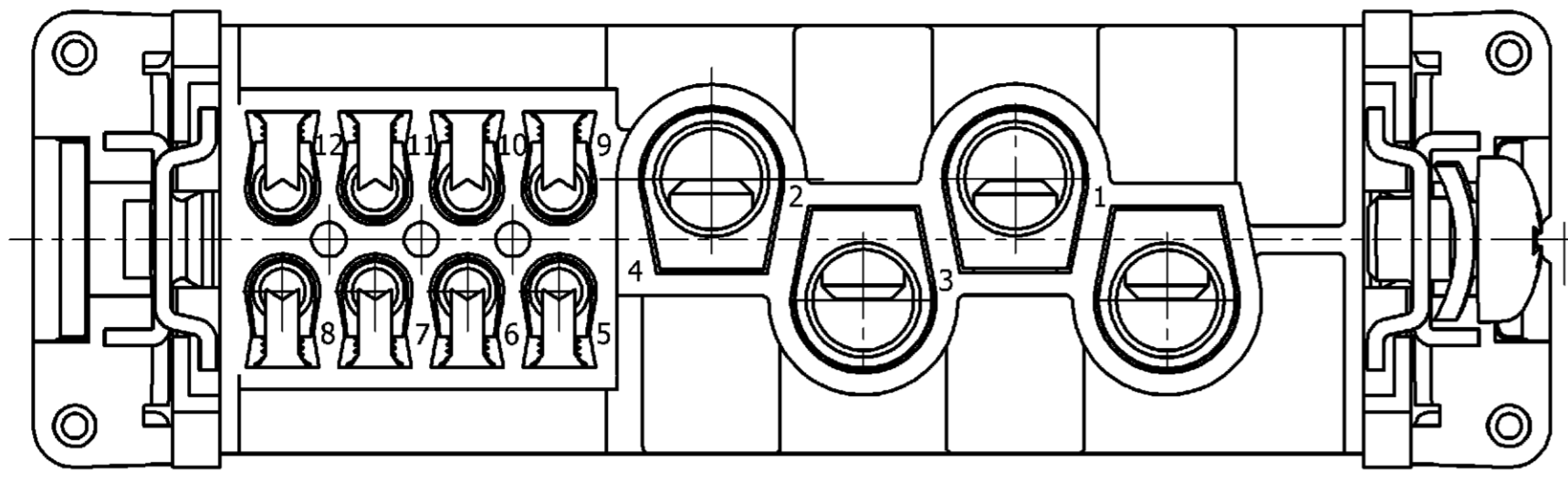
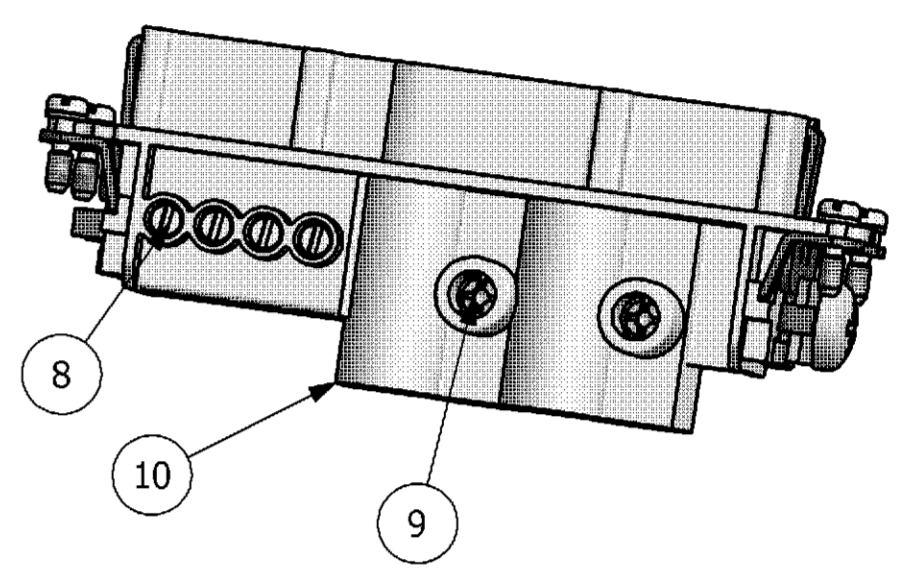


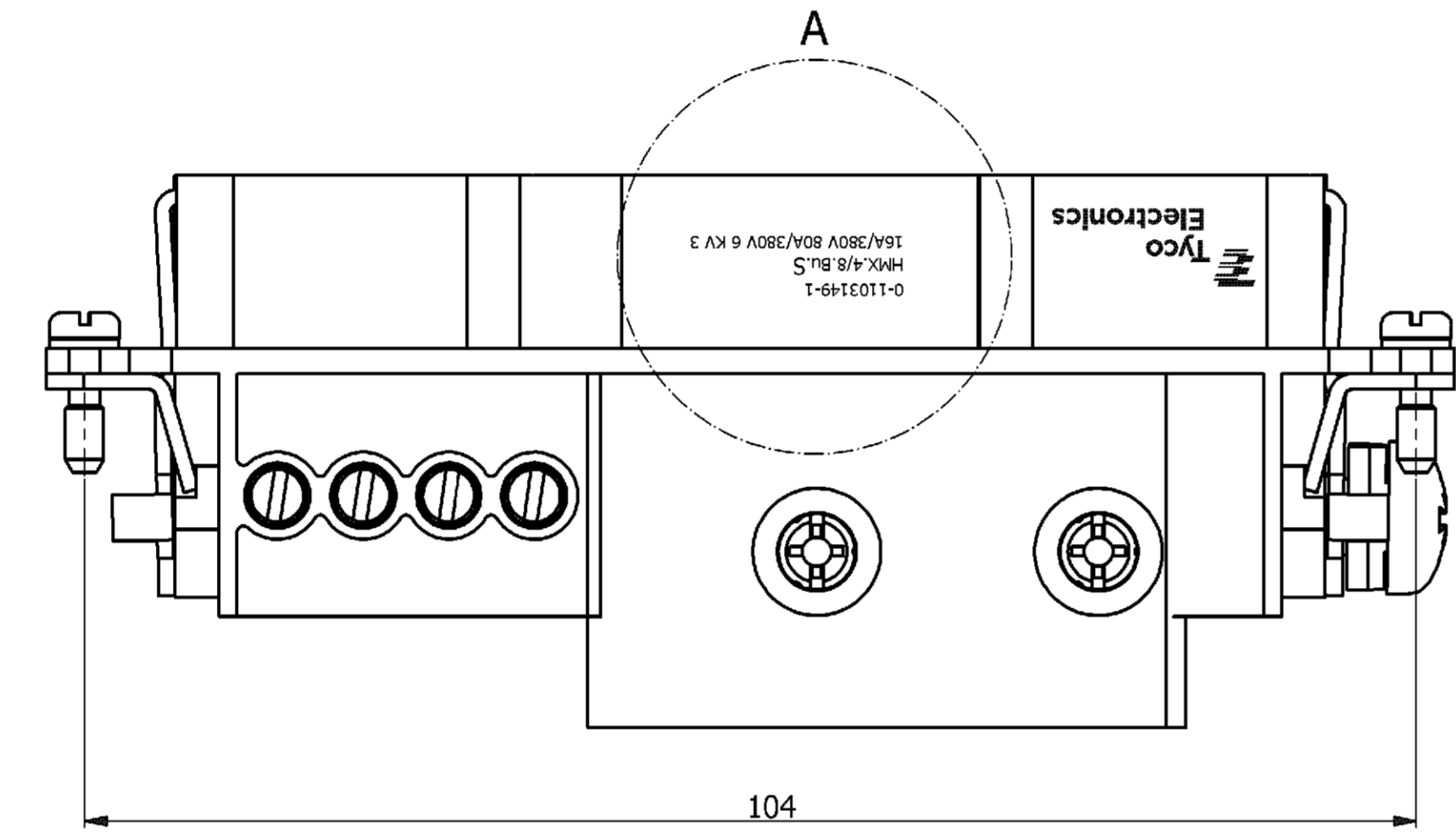
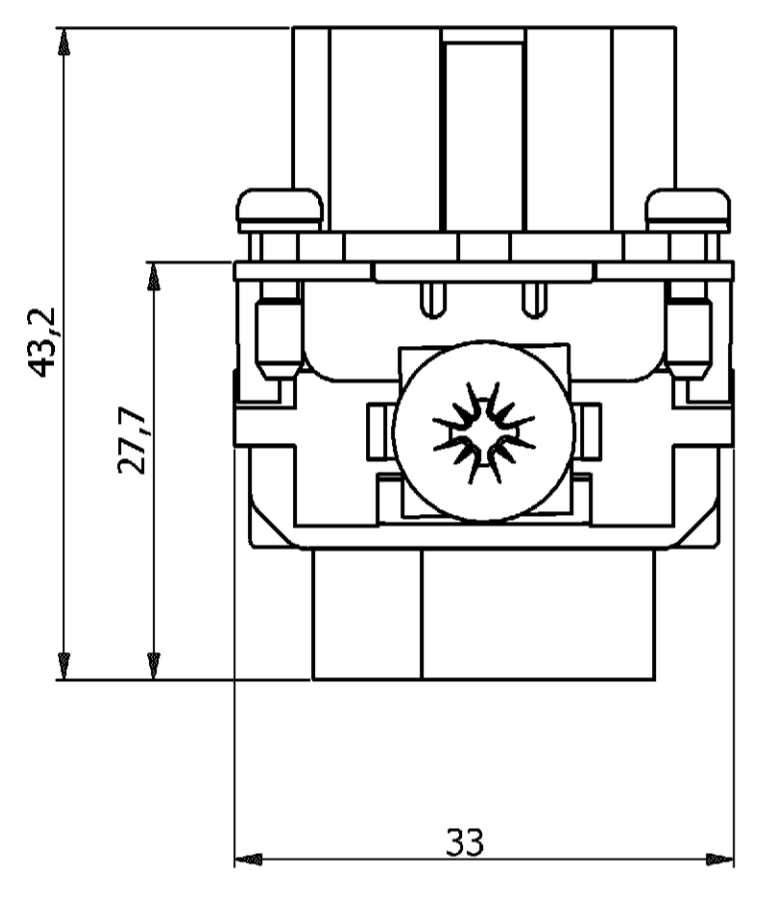
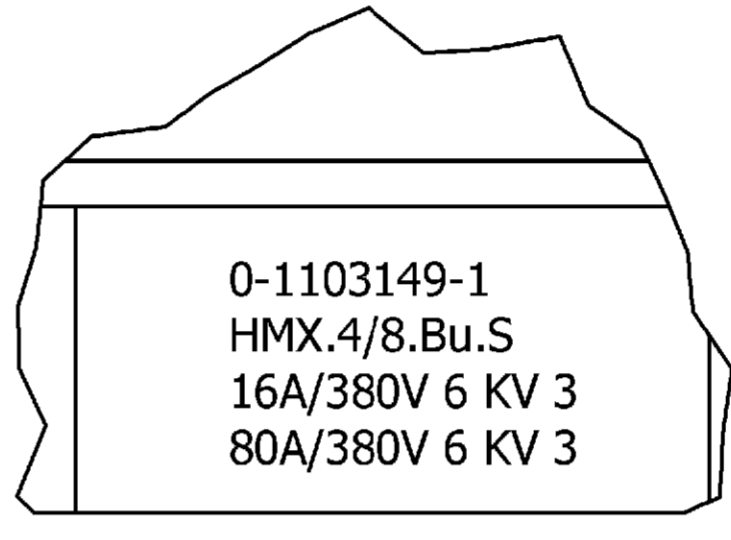
CONTACT ARRANGEMENT
VIEW FROM TERMINATION SIDE



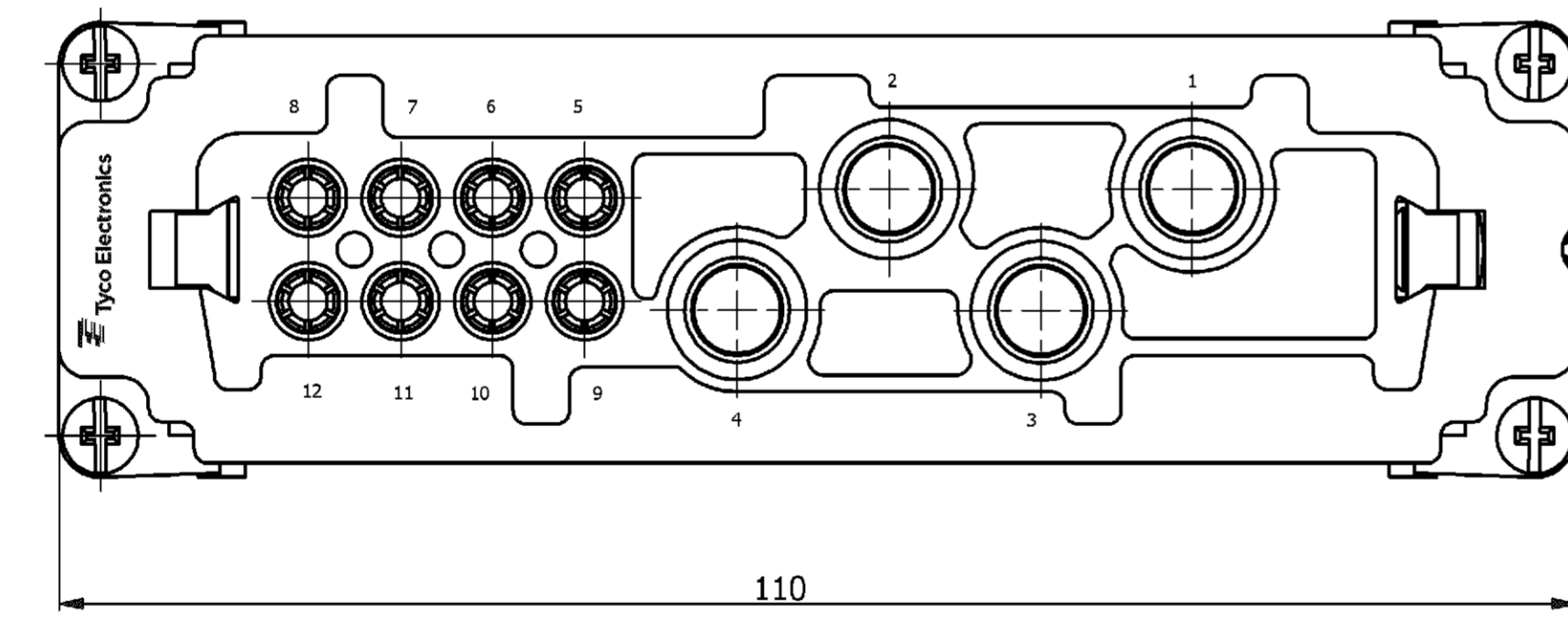
(1:1)



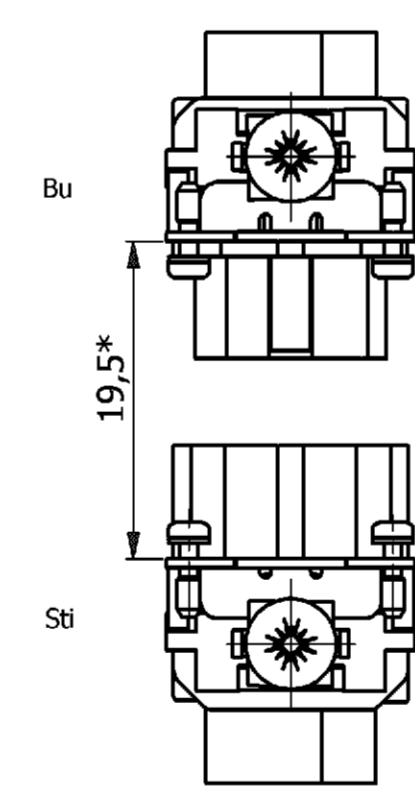
A (3:1)



CONTACT ARRANGEMENT
VIEW FROM CONNECTING SIDE



* distance for guaranteed contact 21 mm max.



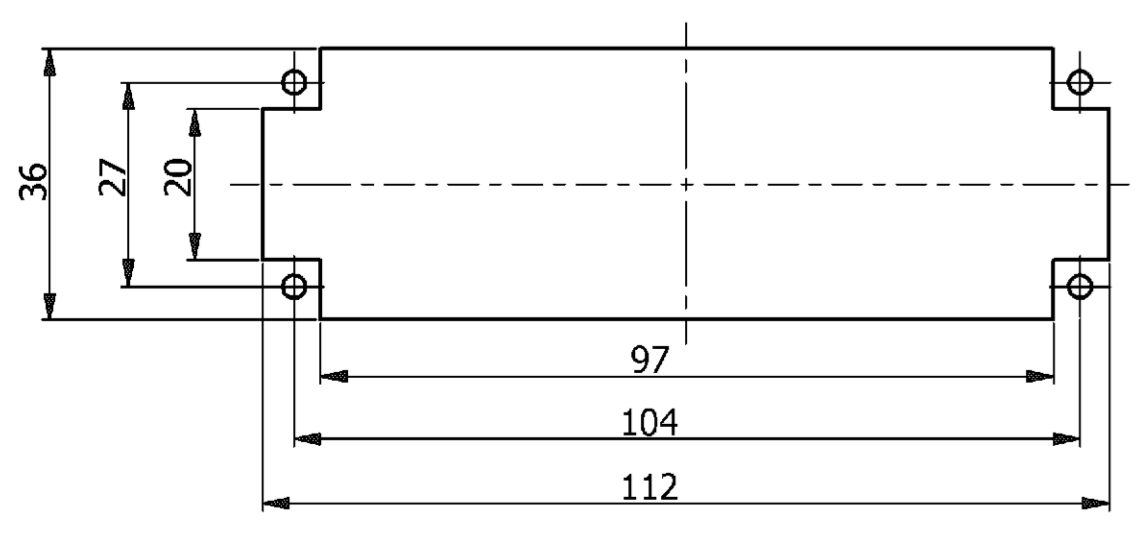
NOTES

- POWER CONTACT: 1 TO 4
OUTER DIMENSIONS OF INSULATION: MAX. Ø10,3 MM
- SIGNAL CONTACT: 5 TO 12
OUTER DIMENSIONS OF INSULATION: MAX. Ø5,2 MM
- GROUNDING CONTACT
- SUITABLE HOOD SIZE 8: SERIES HB; HD; EMV AND HIP
- STANDARDS:
DIN EN 61984; DIN EN 60664-1
- PACKAGING:
5 PIECES IN A CARTON
- SUPERSEDED BY T2100122201-000

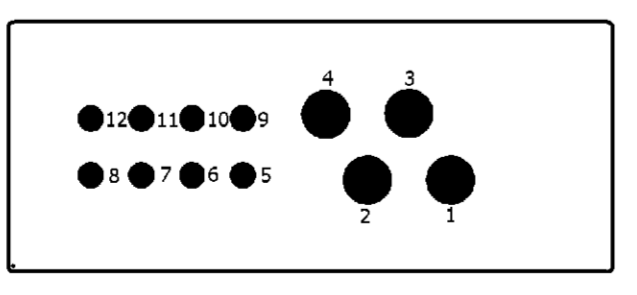
P/N 0-1 as shown

ORDERING TEXT: HMX.4/8.Bu.S

Panel cut-out for contact insert
when used without housing



CONTACT ARRANGEMENT
VIEW FROM TERMINATION SIDE



QTY	DESCRIPTION	MATERIAL	SURFACE	COLOR	NOTE	ITEM
1	SIGNAL WIRE PROTECTION STRIP	CuSn6	---	---	---	10
4	THREADED PIN	6.8	SURFACE DIN EN 12540 Fe/Ni 5b	BLUE	M6	9
8	CONTACT SCREW WITH SLOT	Cu Zn 40Pb3	---	BLUE	---	8
1	CLAMP TAB	STEEL	NICKEL PLATED	BLUE	---	7
1	CYLINDER SCREW M5	STEEL	NICKEL PLATED	---	---	6
4	FIXING SCREW	STEEL	NICKEL PLATED	---	M3X10,5	5
2	GROUNDING CONTACT-SOCKET	Cu Zn37 F38	Cu/Ni 5b	---	---	4
8	SOCKET CONTACT (SIGNAL)	BRASS	SILVER PLATED	---	---	3
4	SOCKET CONTACT (POWER)	BRASS	SILVER PLATED	---	---	2
1	FEMALE INSERT HMX.4.8	PBT-GF30	---	LIGHT GREY	---	1

DIMENSIONS: mm		OTHER PARTS SPECIFIED: ALLOCATIONS/OLSKANZEN		R.SRINIVAS 12/29/2005	
MATERIAL		FINISH / OBERFLÄCHENBEHANDLUNG		R.SRINIVAS 12/29/2005	
PART LIST		T.SCHNURPFEIL		NAME	
114-74067		108-74065		FEMALE INSERT ASSEMBLY	
A1 00779		1103149		HMX.4/8.BU.S	
CUSTOMER DRAWING / KUNDENZEICHNUNG		SCALE 1:2		SHEET 1 OF 1	