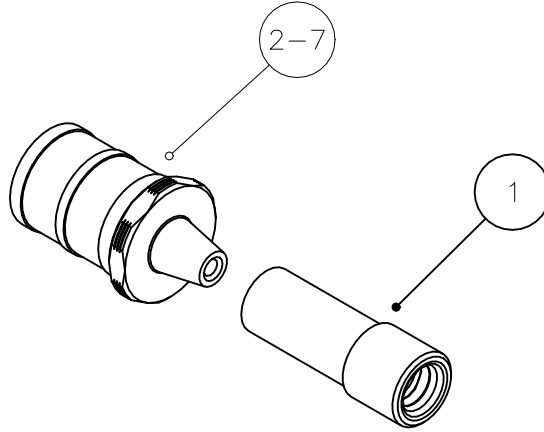


REVISIONS					
P	LTR	DESCRIPTION	DATE	DWN	APVD
	C3	ECR-21-123577	08JUL2022	RK	JB



Packed loose in a MicroSnap bag / Lose in MicroSnap Beutel verpackt

OBSOLETE	OBSOLETE	OBSOLETE	OBSOLETE							
1	-	-	-	-	-	CRIMP BARREL HF6	-	-	7	70mm ²
-	1	-	-	-	-	CRIMP BARREL HF6	-	-	6	50mm ²
-	-	1	-	-	-	CRIMP BARREL HF6	-	-	5	35mm ²
-	-	-	1	-	-	CRIMP BARREL HF6	-	-	4	25mm ²
-	-	-	-	1	-	CRIMP BARREL HF6	-	-	3	16mm ²
-	-	-	-	-	1	CRIMP BARREL HF6	-	-	2	10mm ²
1	1	1	1	1	1	SET CONTACT SOCKET HF6	-	-	1	-
0-6	0-5	0-4	0-3	0-2	0-1	DESCRIPTION / BENENNUNG	MATERIAL	SURFACE COLOR	ITEM NO	NOTE / BEMERKUNG
						HF06.Bu.C.AG.10				
						HF06.Bu.C.AG.16				
						HF06.Bu.C.AG.25				
						HF06.Bu.C.AG.35				
						HF06.Bu.C.AG.50				
						HF06.Bu.C.AG.70				

TE Connectivity. All Rights Reserved.



DIMENSIONS: mm TOLERANCES UNLESS OTHERWISE SPECIFIED: n. ISO 8015 n. ISO 2768 -mH -E n. DIN 16901 -4.0 0 PLC ± - 1 PLC ± - 2 PLC ± - 3 PLC ± - 4 PLC ± - ANGLES ± -	QUANTITY REQD PER ASSY 10.04.03	MATERIAL Schneider	PARTS LIST -	FINISH -	
	CHECKED -	APVD Braun 10.04.03	TE Connectivity NAME Set Contact Socket & Crimp Barrel HF6		
PRODUCT SPEC -	APPLICATION SPEC -	SIZE A4			
WEIGHT -	CUSTOMER DRAWING		SCALE 1:1	SHEET 1 OF 1	REV C3