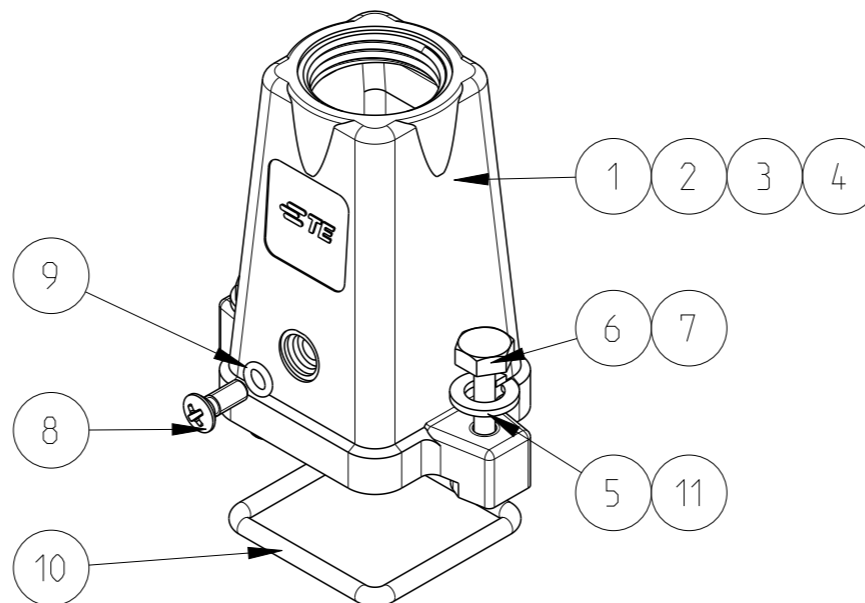
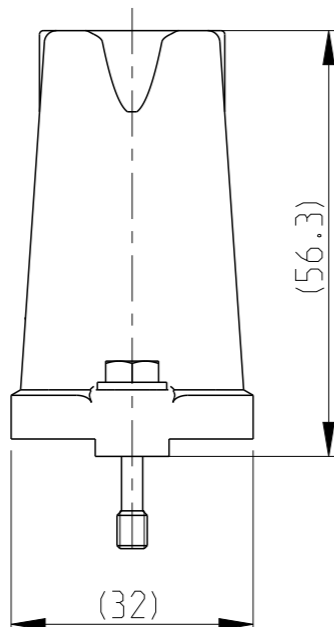
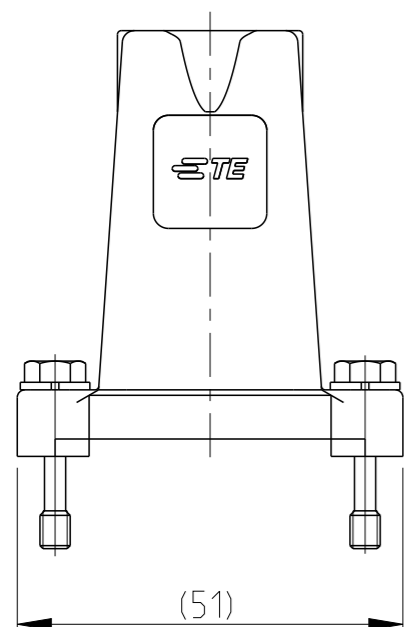
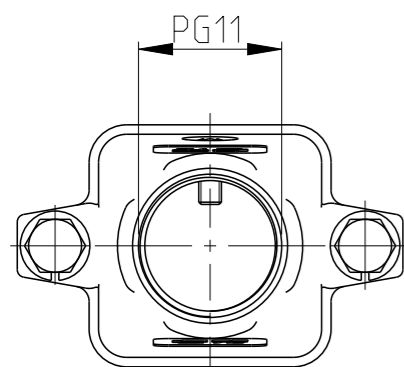


P	LTR	DESCRIPTION	DATE	DWN	APVD
B		ECR-16-001855	29FEB2016	GCM	JB
C		ECR-16-014579	25APR2017	GCM	JB
C1		ECR-17-014011	16JAN2018	RSM	MKO
C2		ECR-21-123464	07MAR2022	RK	JB



Notes

- 1 SUITABLE HOUSINGS: SERIES EMV, SIZE 1
CUSTOMER DRAWING 1102703, 1102702
- 2 STANDARDS: DIN EN 61984, DIN EN 60664-1
- 3 CHROMIT AL TCP PASSIVATION
- 4 TOOLS: PHILLIPS SCREWDRIVER PH1
HEXAGON SCREWDRIVER 7mm
- 5 VARNISH ON INSIDE AREA NOT NECESSARY
- 6 PACKAGING: 10 SETS IN A CARTON, PRE-MOUNTED



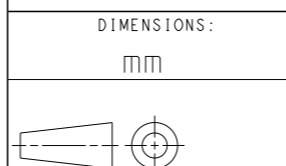
PN 0-3 AS SHOWN

OBSOLETE	0-1102700-5	EMV-K.3/4.STO.1.11.G
OBSOLETE	0-1102700-4	EMV.3/4.STO.1.11.G
OBSOLETE	0-1102700-1	EMV-K.3/4.STO.1.11.G
	4-1102700-5	EMV.3/4.STO.1.11.G
	3-1102700-5	EMV-K.3/4.STO.1.11.G
	PART NO.	ORDERING TEXT

QTY	QTY	QTY	QTY	QTY	DESCRIPTION	MATERIAL	COLOR/SURFACE	NOTE	ITEM
2	2	2	-	-	WASHER, PLAIN	STAINL. STEEL	BLANK	A4, DIN EN ISO 7989, 200HV (V4A)	11
1	1	1	-	-	O-RING	FKM	BLACK	28x2.5 din 3771	10
1	1	1	1	1	O - RING	NBR	BLACK	3.0x1.0	9
1	1	1	1	1	SCREW COUNTERSUNK RAISED HEAD	STAINL. STEEL	V2A	M3x8 PH1 DIN EN ISO 7047	8
2	2	2	-	-	SCREW, HEXAGON BOLT	STAINL. STEEL	BLANK	M4x22 DIN EN ISO 7964, RED. SHUNK (V4A)	7
1	1	1	2	2	SCREW, HEXAGON BOLT	STAINL. STEEL	BLANK	M4x22 DIN EN ISO 7964, REDUCED SHUNK	6
1	1	1	2	2	WASHER, PLAIN	STAINL. STEEL	BLANK	A4, DIN EN ISO 7989, 200HV	5
1	1	1	-	-	CONNECTOR HOUSING	ALU ALLOY	BLACK	3 SERIES EMV-K WE LOGO	4
1	1	1	-	-	CONNECTOR HOUSING	ALU ALLOY	SILVER	3 SERIES EMV-K	3
1	1	1	1	-	CONNECTOR HOUSING	ALU ALLOY	BLACK	3 SERIES EMV-K	2
1	1	1	-	1	CONNECTOR HOUSING	ALU ALLOY	GREY	SERIES EMV	1
0-5	0-4	0-1	4-5	3-5					
PN/QTY					DESCRIPTION	MATERIAL	COLOR/SURFACE	NOTE	ITEM

PARTS LIST (PER ONE UNIT)

THIS DRAWING IS A CONTROLLED DOCUMENT.



MATERIAL

DIMENSIONS:		TOLERANCES UNLESS OTHERWISE SPECIFIED:	
mm			
0 PLC	±		
1 PLC	±		
2 PLC	±		
3 PLC	±		
4 PLC	±		
ANGLES	±°		
FINISH	-		

DWN	V.GLUMM	18AUG2009
CHK	H.Braun	18AUG2009
APVD	T.Schnurpfeil	18AUG2009
PRODUCT SPEC	108-74036	
APPLICATION SPEC	114-74017	
WEIGHT	-	



TE Connectivity

NAME
CONNECTOR HOUSING ASS'Y, TOP ENTRY
SERIES EMV, SIZE 1
STEEL CONDUIT THREAD

SIZE	CAGE CODE	DRAWING NO	RESTRICTED TO
A3	00779	C=1102700	