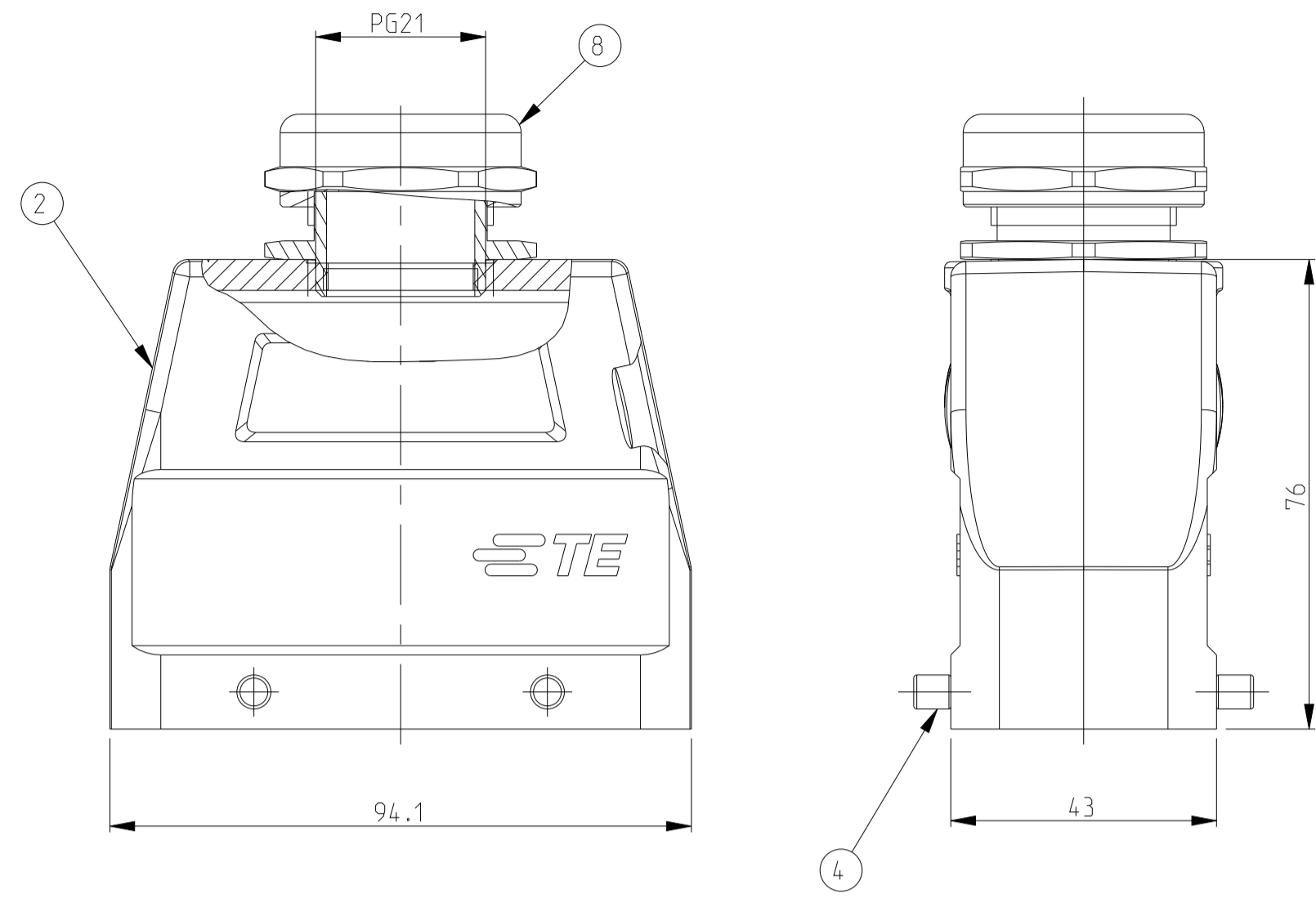
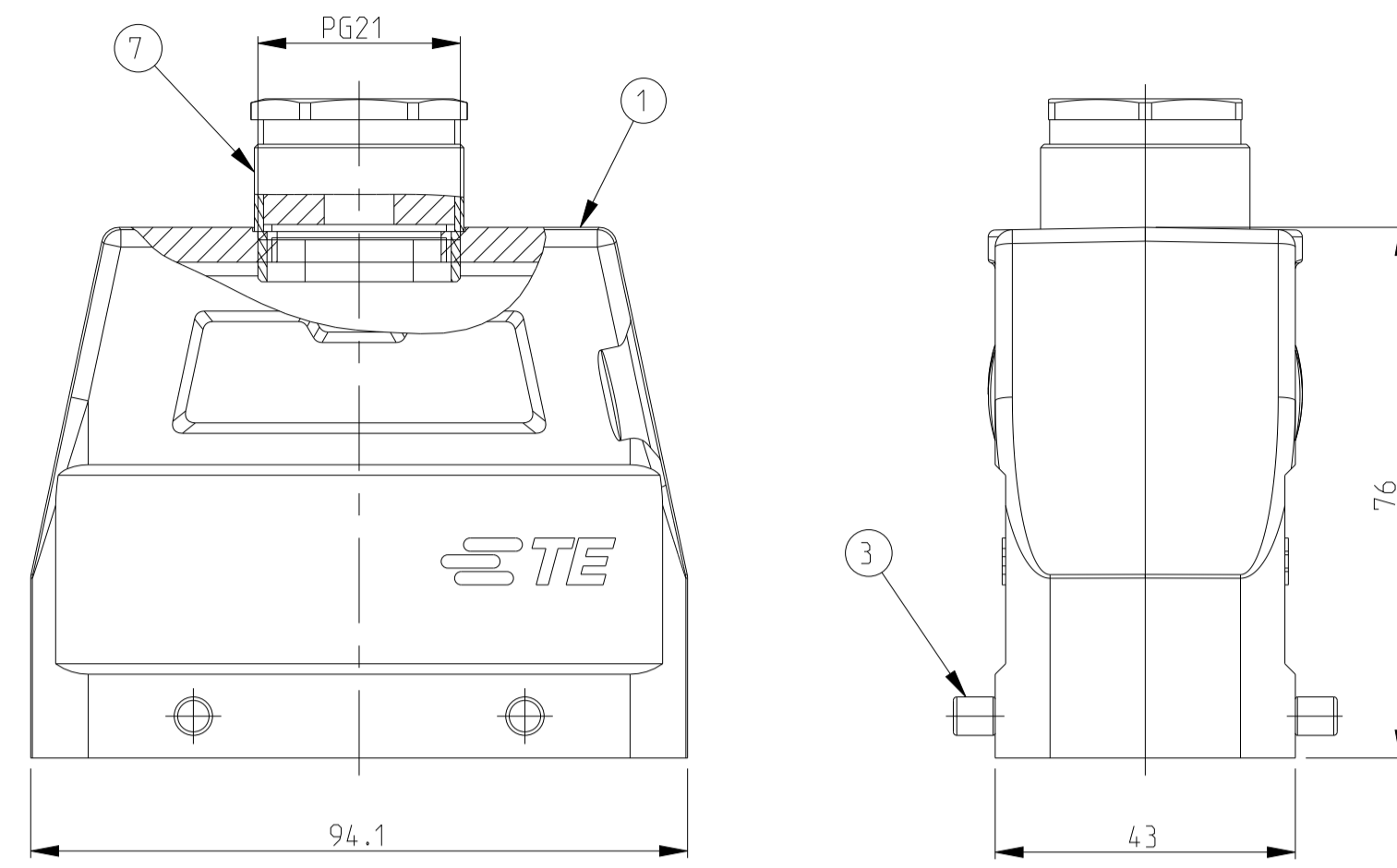


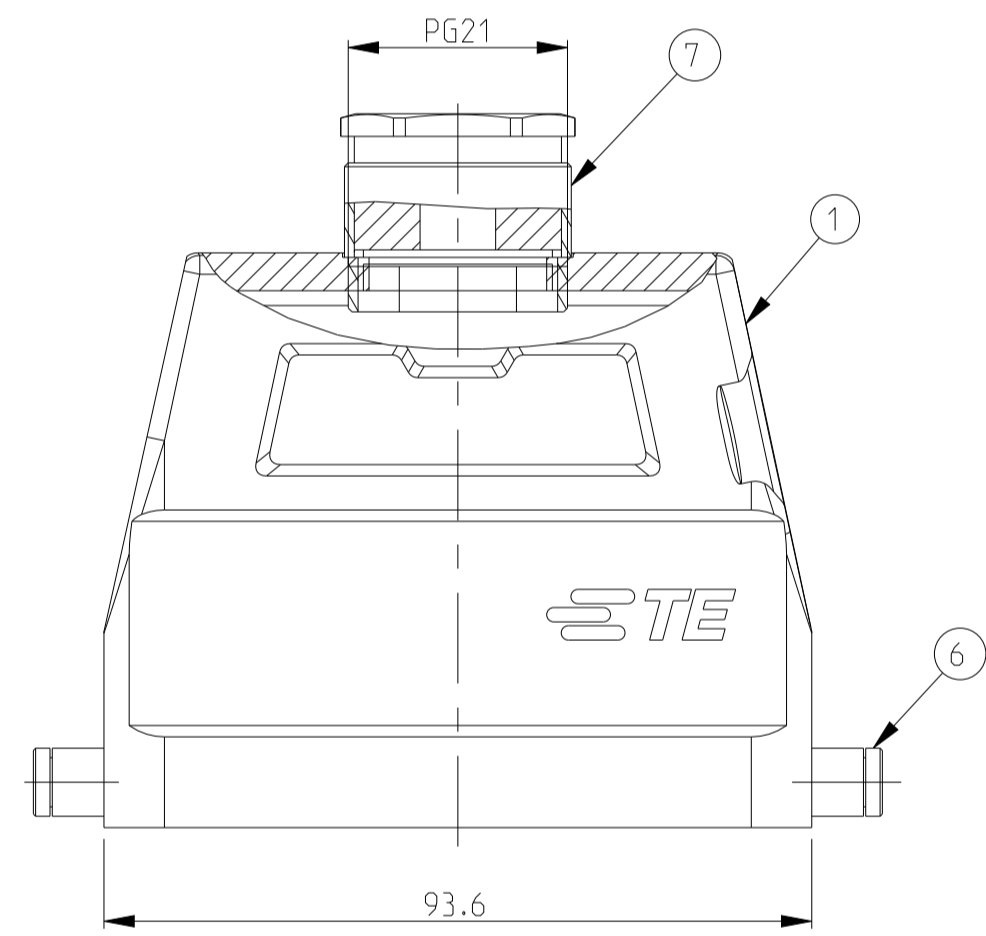
PN 2-6



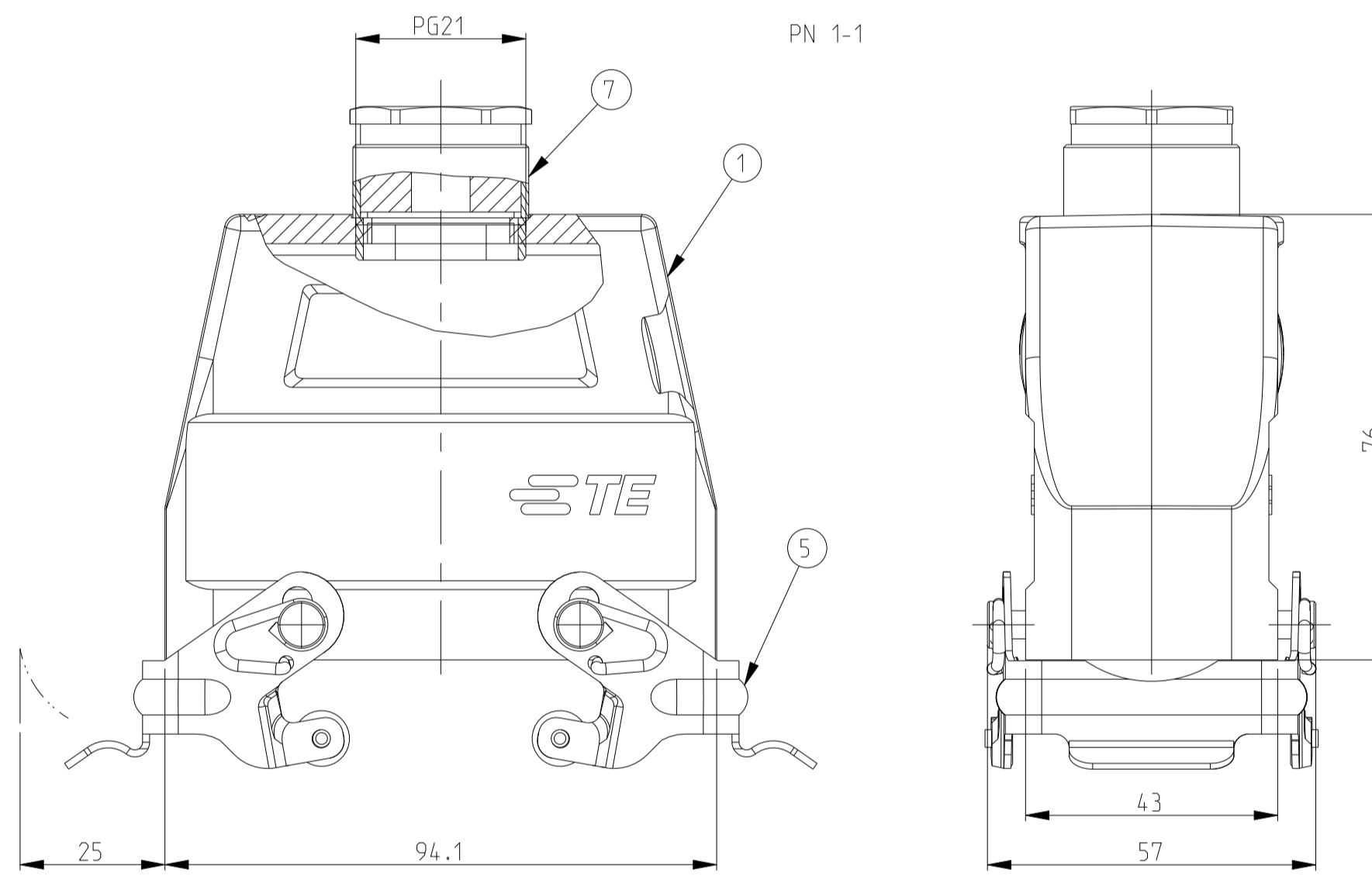
PN 1-6



PN 1-7



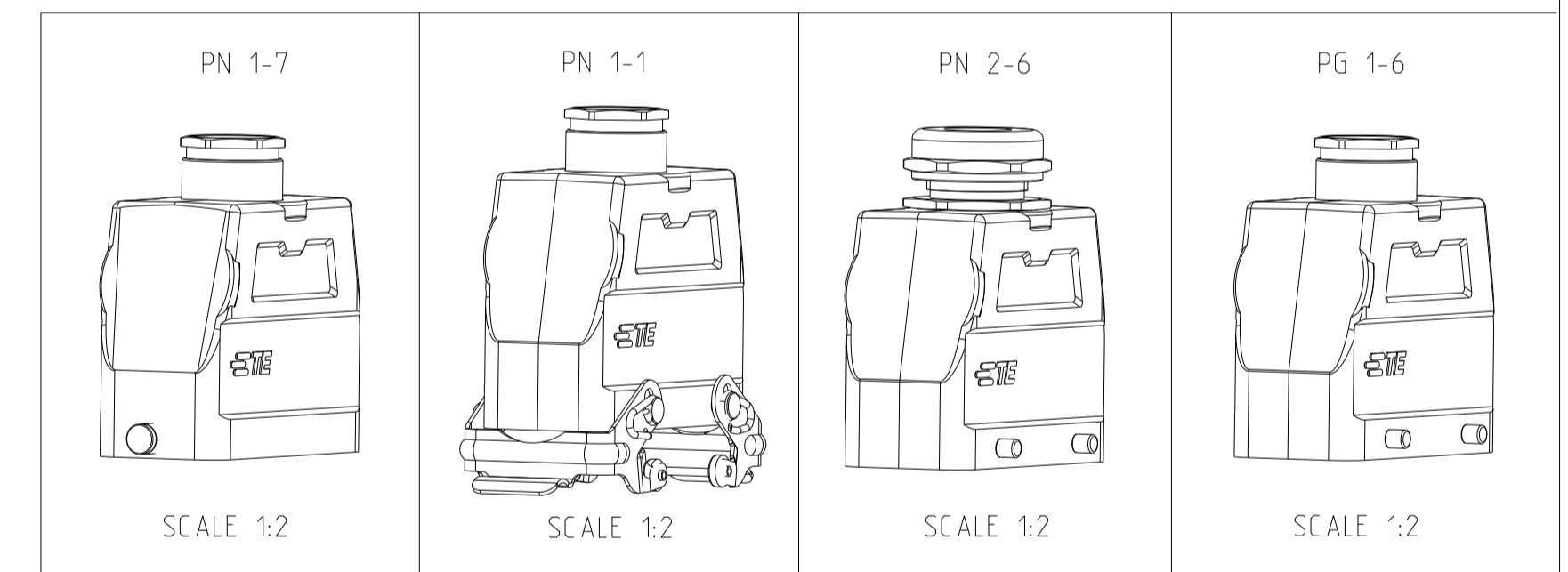
PN 1-1



REVISIONS					
P	LTN	DESCRIPTION	DATE	DWN	APVD
A2		Released as per ECR-07-012890	17-07-2007	SK	TS
A3		REVISED PER ECR-24-207461	07 JUN 2024	RK	WR

NOTES

- Material: Housing: aluminium diecasting alloy
 - Surface:- varnish-grey
-Aluminium oxid-
Varnish black
 - Varnish on the inside not necessarily
 - Packaging quantity 5 piece in a box
- ⚠ OBSOLETE



QTY	ITEM NO	DESCRIPTION	MATERIAL	SURFACE	COLOR	ITEM NO	NOTES		
1	1	Gland fitting	Brass	Nickel plated	Blue	8	PG21		
1	1	Gland round	Brass	Nickel plated	Blue	7	PG21		
2		LB-Clip bolt	Steel	Zinc plated	Blue	6	-		
2		VS-Side clip	Steel	Zinc plated	Blue	5	-		
	4	VS-Clip bolt	Stainless Steel	Even	-	4	-		
	4	VS-Clip bolt	Steel	Zinc plated	Blue	3	-		
1	1	HD-K Hood	Aluminium	Aluminium oxide	Black	2	-		
1	1	HD Hood	Aluminium	-	Gray	1	-		
1-7	1-1	2-6	1-6	DESCRIPTION	MATERIAL	SURFACE	COLOR	ITEM NO	NOTES
ORDERING TEXT									
HD.40.STO.1.21									
HD-K.40.STO.1.21									
HD.40.STO-VS.1.21									
HD.40.STO-GR.1.21									

THIS DRAWING IS A CONTROLLED DOCUMENT.

DIMENSIONS: mm

TOLERANCES UNLESS OTHERWISE SPECIFIED:

0	±0.10
1	±0.15
2	±0.20
3	±0.30
4	±0.40
ANGLES	±0.5°
FINISH	★

MATERIAL: FINISH

APVD: -

PRODUCT SPEC: -

APPLICATION SPEC: -

WEIGHT: -

CUSTOMER DRAWING

DWN: Schneider 16.07.2003

CHK: Schwiiger 16.07.2003

NAME: HOOD HD.40.STO.1.21

SIZE: A | 00779 | C=1102568

SCALE: 1:1 SHEET 1 OF 1 REV: A3