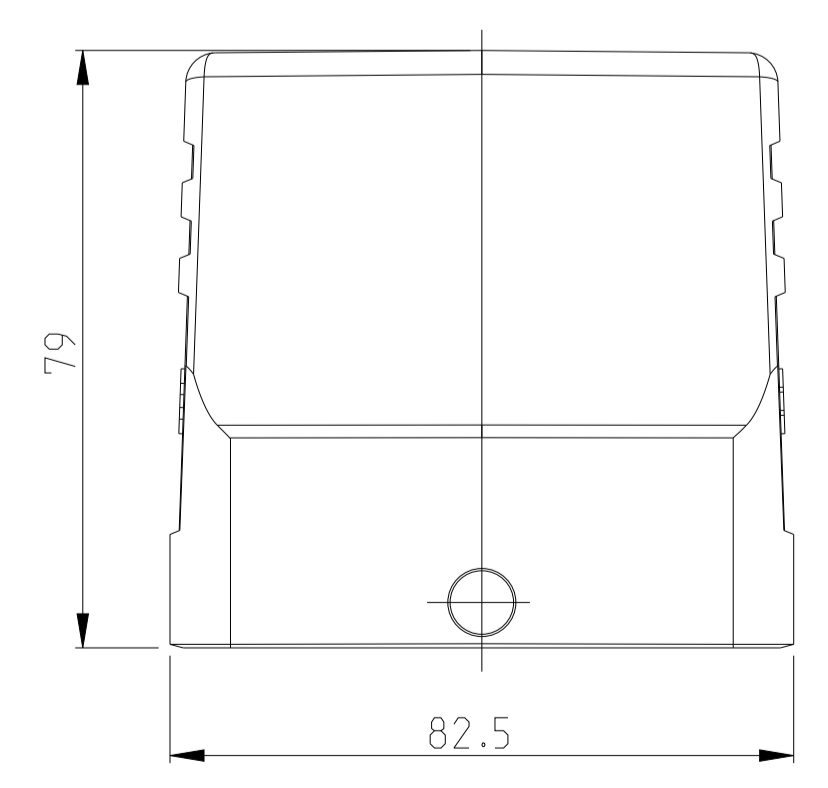
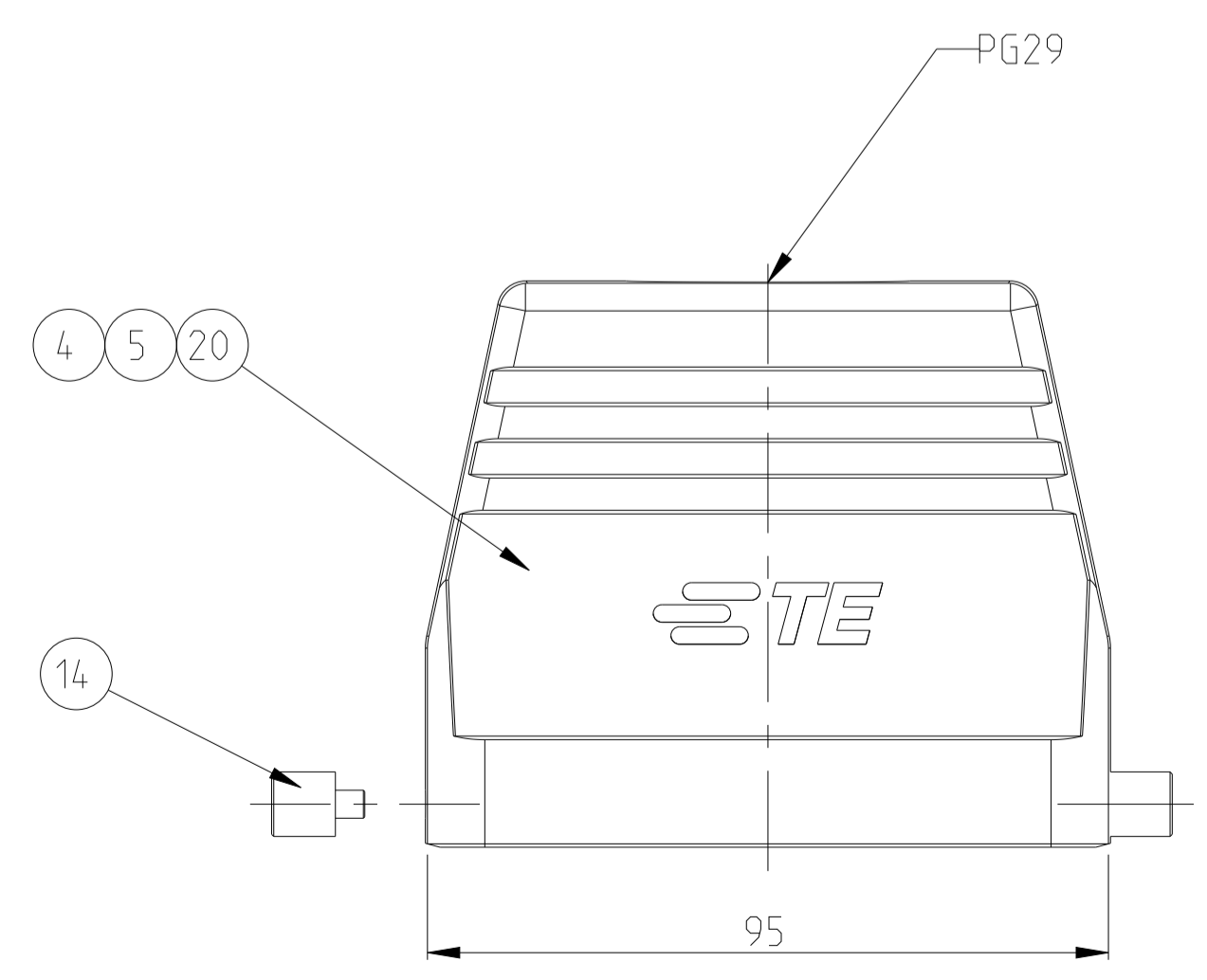
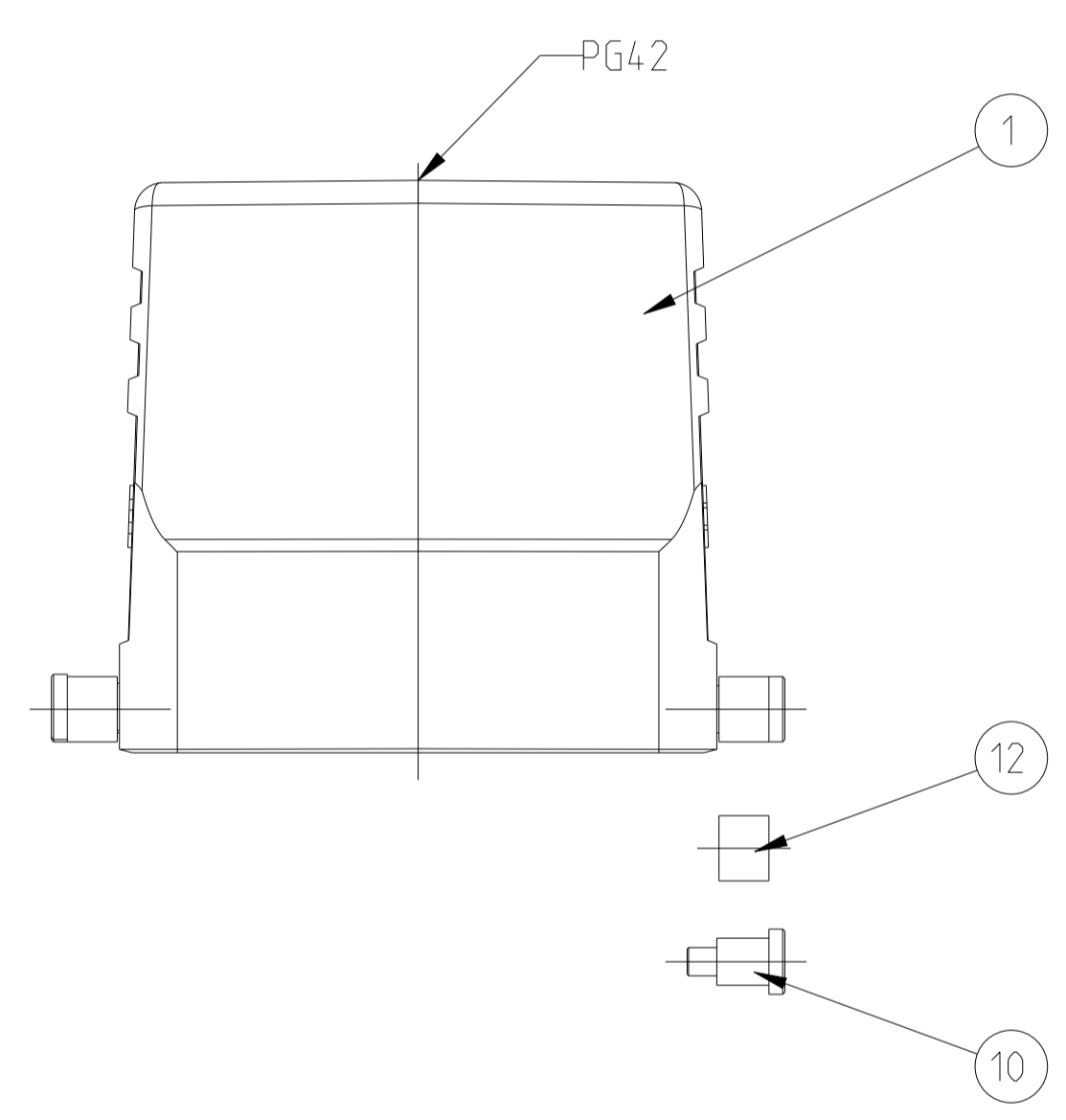
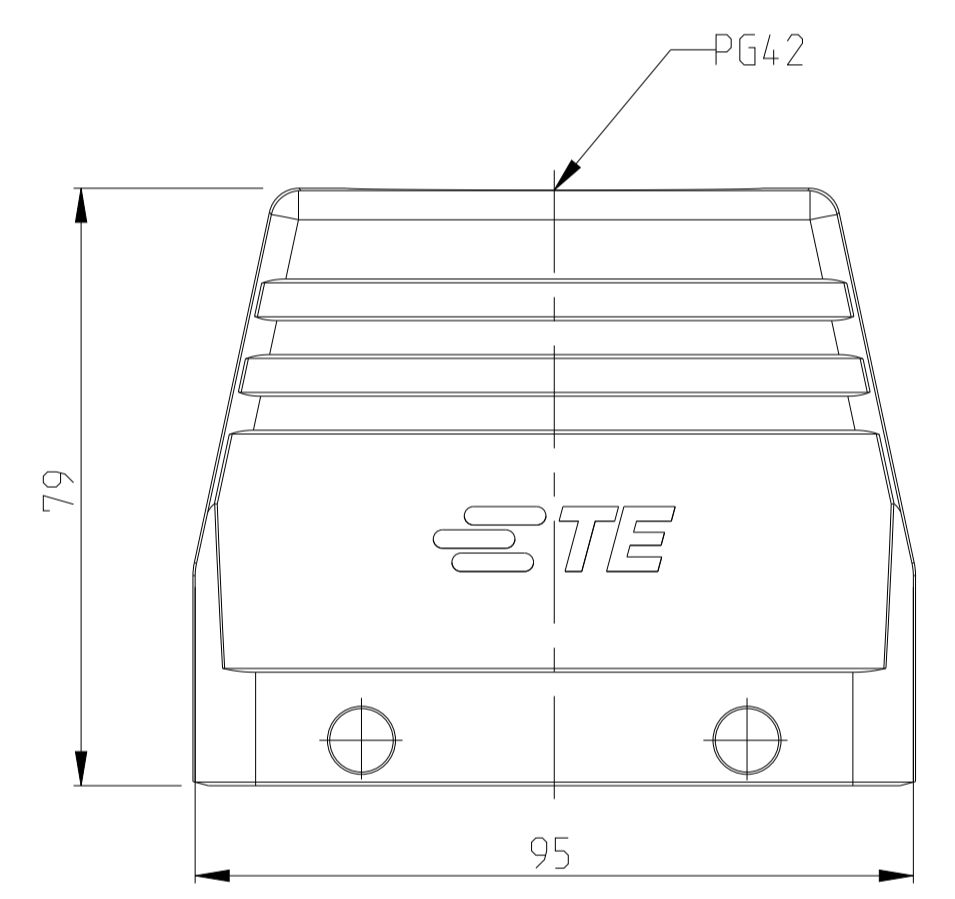
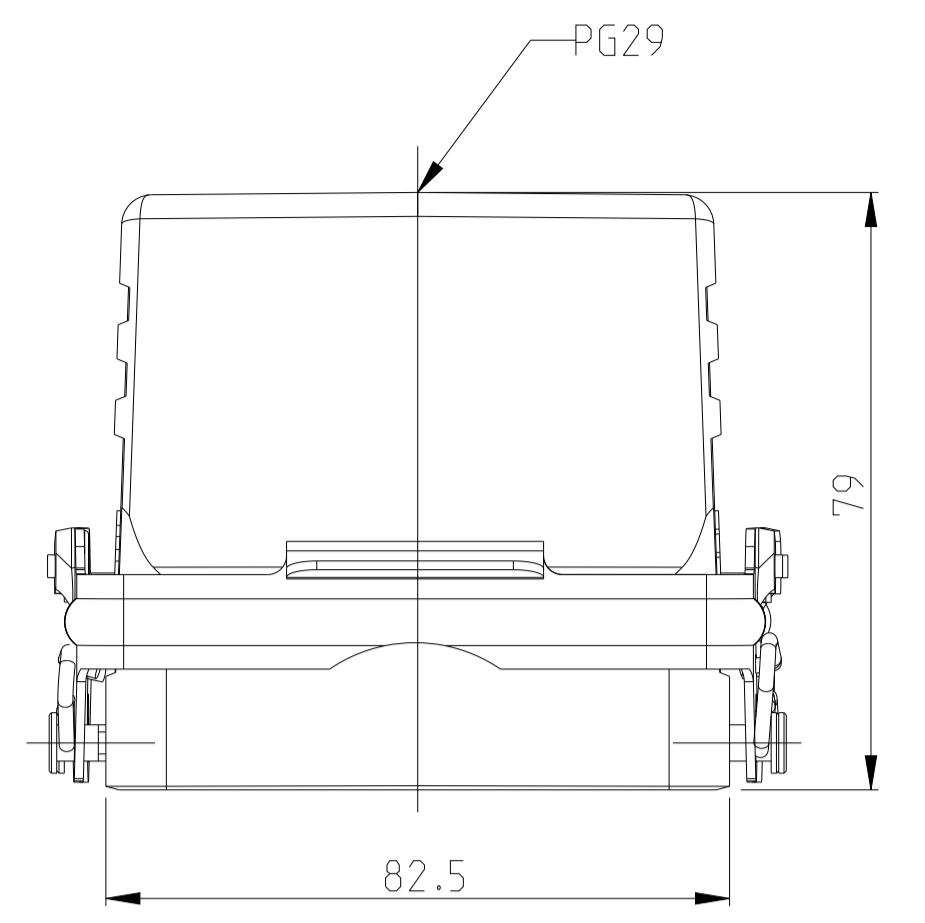
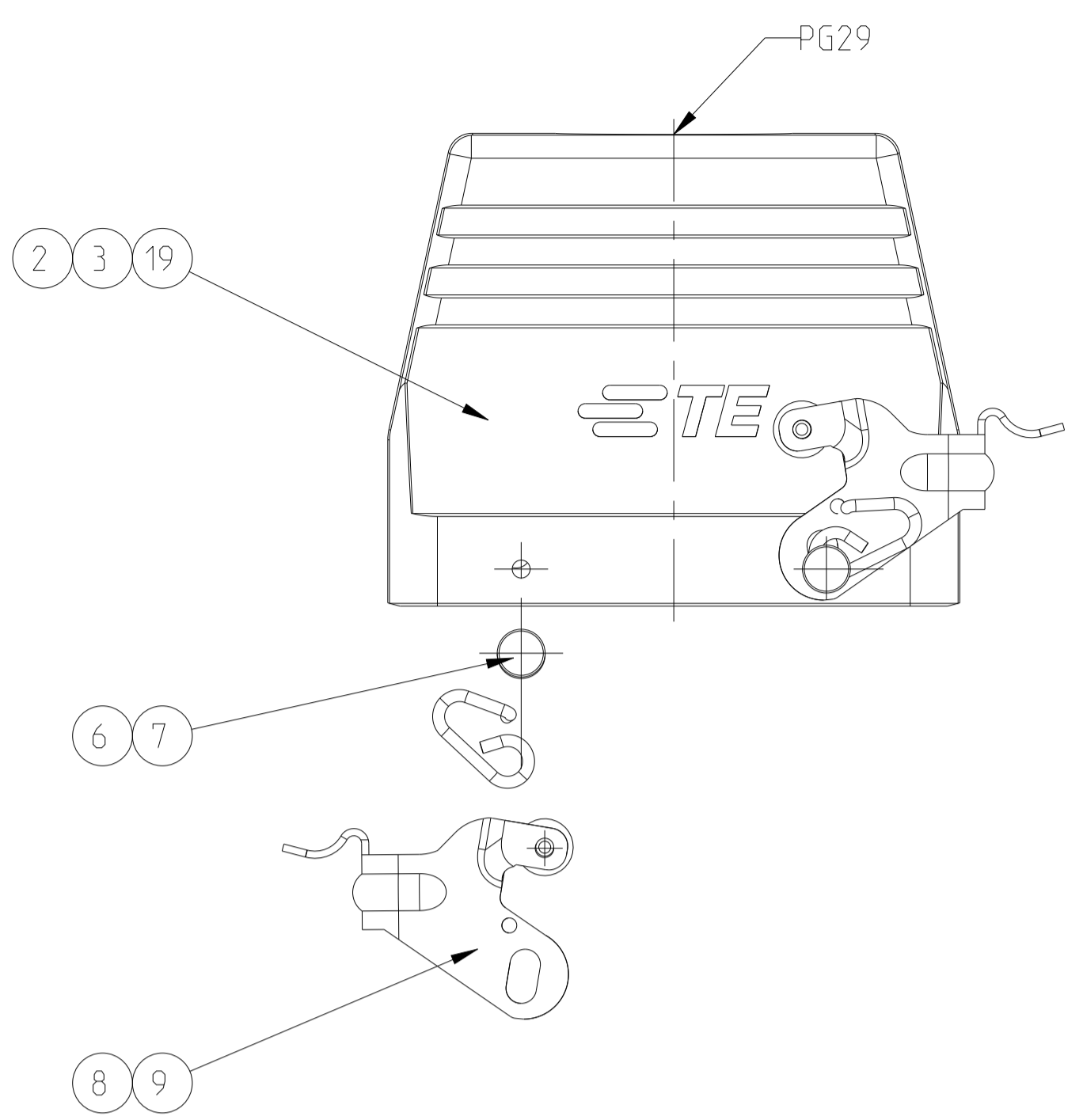


REVISIONS				
REV	LTN	DESCRIPTION	DATE	APVD
C4		ECR-16-015318	18AUG2017	GR MKO
C5		REVISED PER ECR-17-013084	11JAN2018	SRG MKO
C6		ECR-21-123293	24FEB2022	RK JB
C7		REVISED PER ECR-24-201443	23APR2024	RK WR



NOTES

- PART SHALL BE FREE AND CLEAN OF BURRS AND OTHER FOREIGN MATERIAL
- PACKAGING: QUANTITY 3 PIECES
- VARNISHING INSIDE HOUSING NOT REQUIRED

QTY	REV	DESCRIPTION	MATERIAL	SURFACE	COLOR	ITEM	NOTES							
1		HOOD	ALUMINIUM		GREY	20								
1		HOOD	ALUMINIUM		GREY	19								
		CLIP SPRING RIGHT	STEEL	ZINC PLATED	BLUE	18								
		CLIP SPRING RIGHT	STEEL	ZINC PLATED	BLUE	17								
		CLIP SPRING LEFT	STAINLESS STEEL	BLANC		16								
		CLIP SPRING LEFT	STEEL	ZINC PLATED	BLUE	15								
		CLIP BOLT LB	STAINLESS STEEL	BLANC		14								
		CLIP BOLT VS	STEEL	ZINC PLATED	BLUE	13								
2		SLIDE SPOOL	STAINLESS STEEL	BLANC		12								
2		CLIP BOLT	STAINLESS STEEL	BLANC		11								
2		CLIP BOLT	STAINLESS STEEL	BLANC		10								
		LOCKING CLIP	STEEL	ZINC PLATED	BLUE	9								
		LOCKING CLIP	STEEL	ZINC PLATED	BLUE	8								
		CLIP POSITIONER				7								
		CLIP POSITIONER				6								
1		HOOD	ALUMINIUM	ALUMINIUM OXID	BLACK	5	NEUTRAL							
1		HOOD	ALUMINIUM		GREY	4								
1		HOOD	ALUMINIUM	ALUMINIUM OXID	BLACK	3								
1		HOOD	ALUMINIUM		GREY	2	NEUTRAL							
1		HOOD	ALUMINIUM		GREY	1								
0+3	0+2	2-7	1+7	2-6	1-6	2-1	1-1	0+1	DESCRIPTION	MATERIAL	SURFACE	COLOR	ITEM	NOTES
									HB.32.STO.1.42.G					
									HB.32.STO-VS.1.29.G					
									HB-K.32.STO-VS.1.29.G					
									HB.32.STO.1.29.G					
									HB-K.32.STO.1.29.G					
									HB.32.STO-GR.1.29.G					
									HB-K.32.STO-GR.1.29.G					
									HB.32.ST					
									HB.32-ST-GR					

THIS DRAWING IS A CONTROLLED DOCUMENT. DWG: R.SCHNEIDER 12MAY2009
 CHK: T.SCHNURPFEL 12MAY2009

TE Connectivity

NAME: HOOD
 HB.32.STO

SIZE: A1 CAGE CODE: 00779 DRAWING NO: 1102351

SCALE: 1:1 SHEET: 1 OF 1 REV: 7