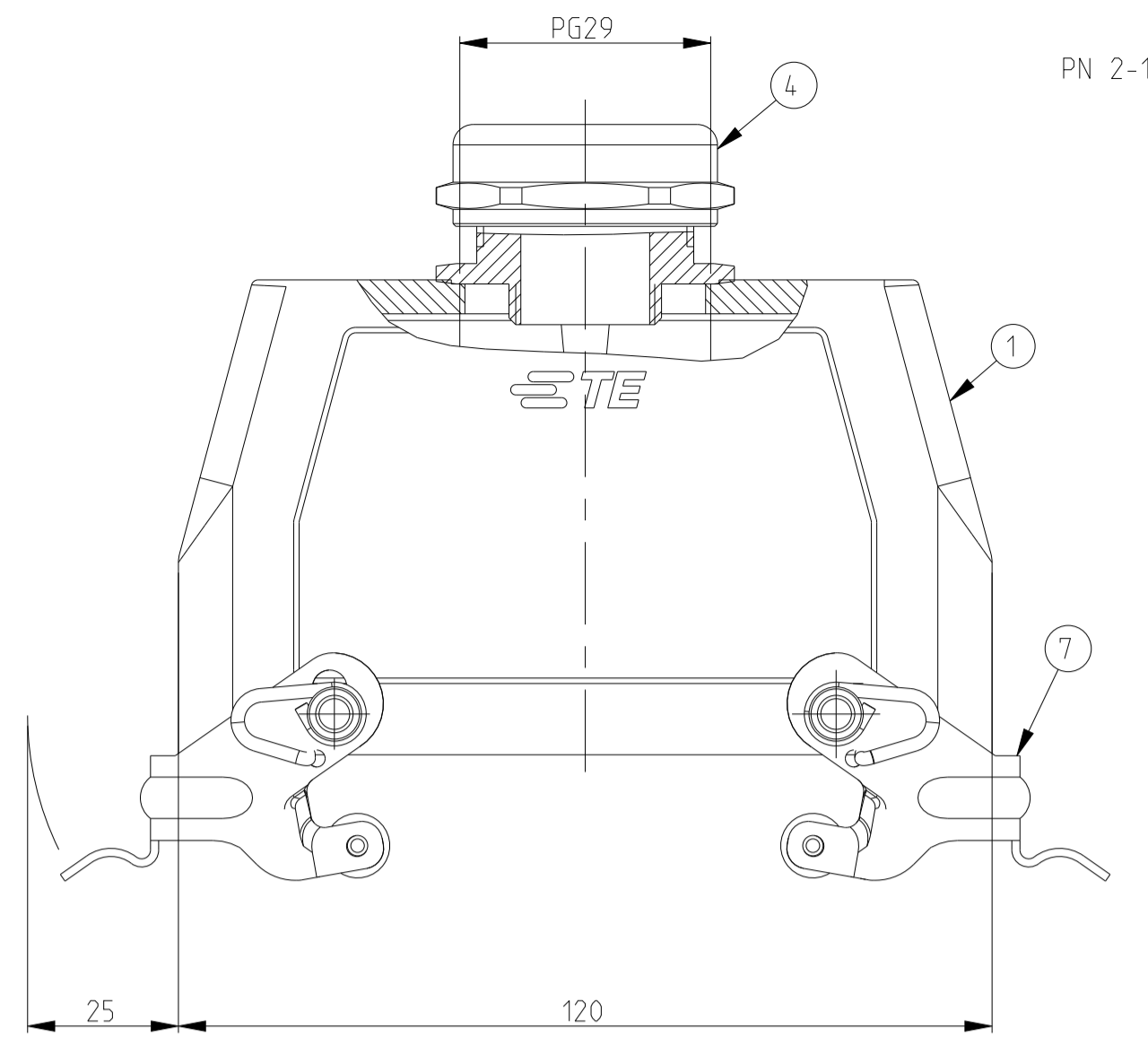
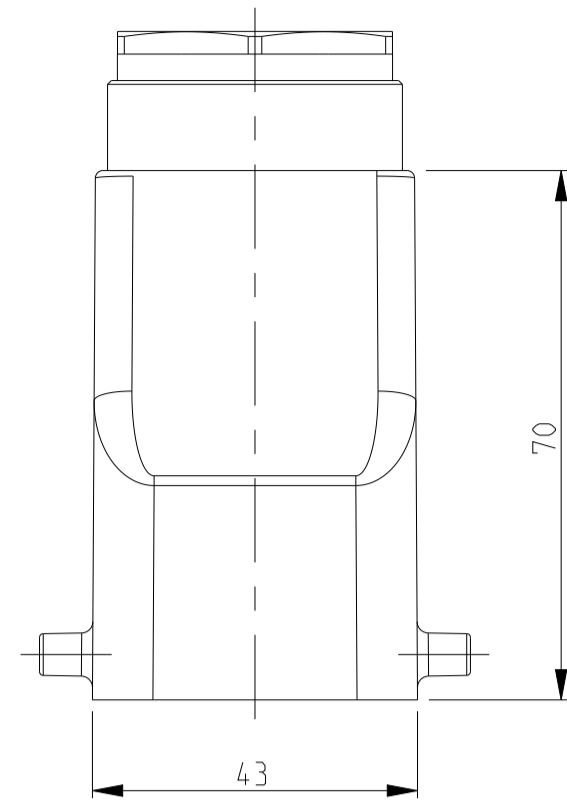
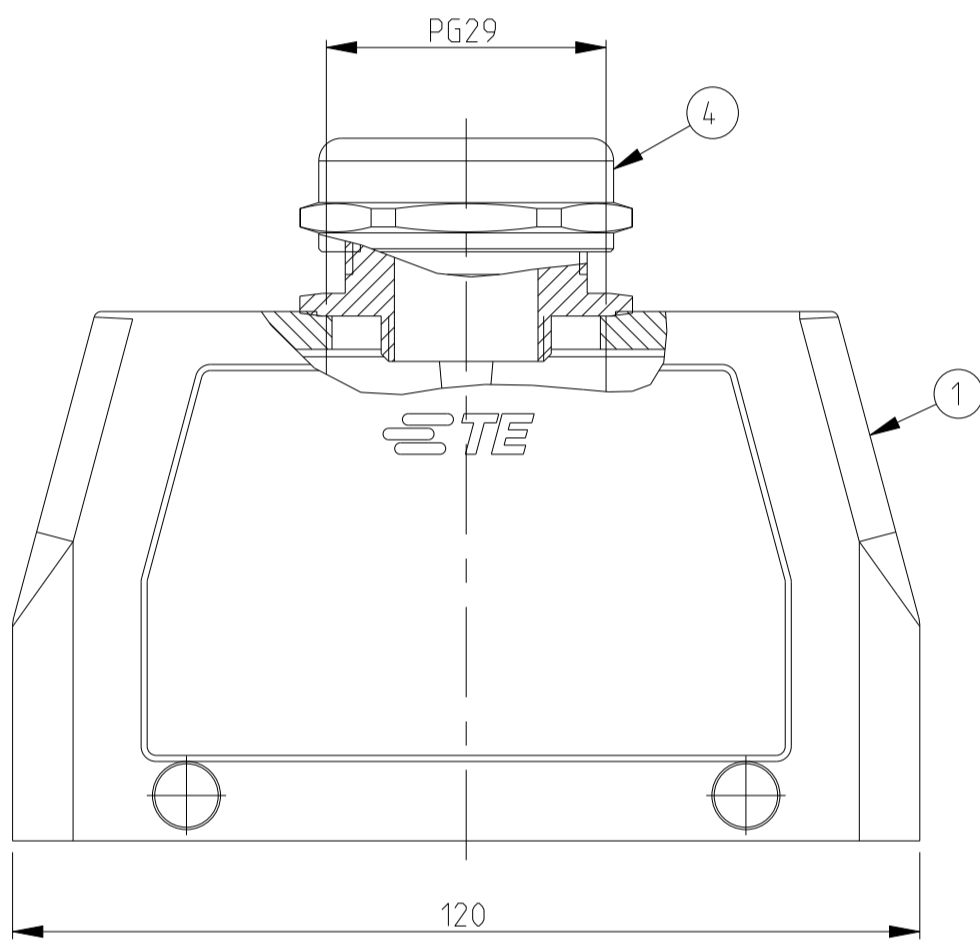
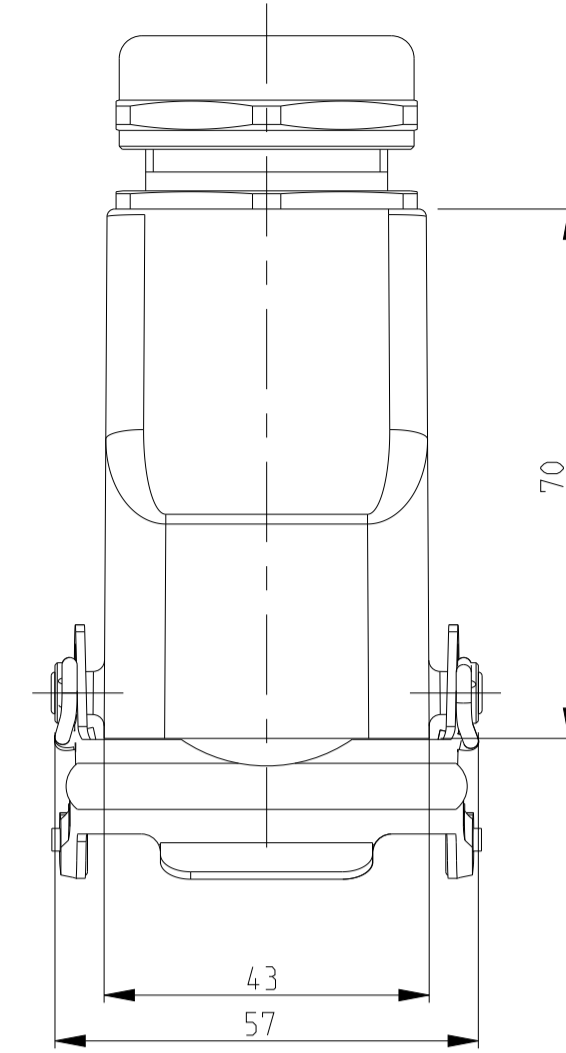


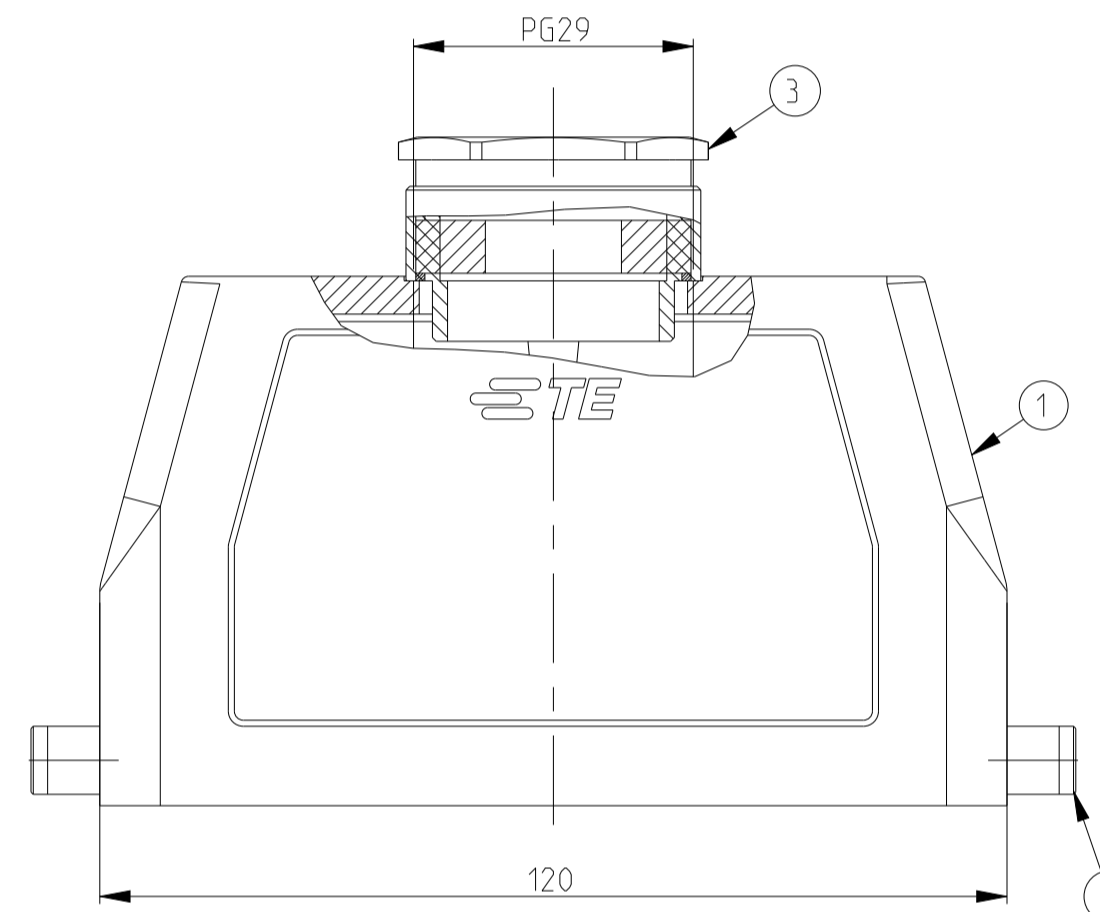
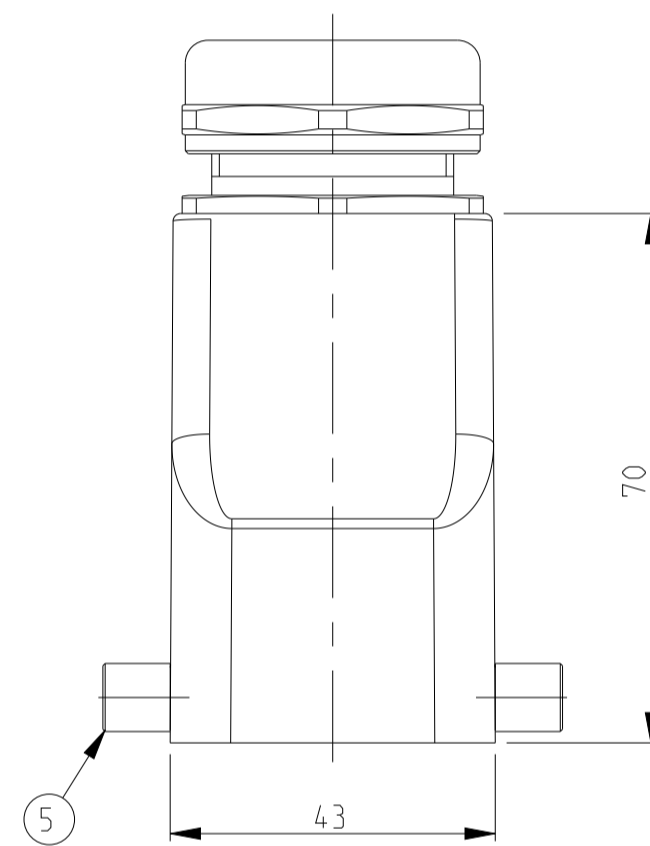
PN 1-6



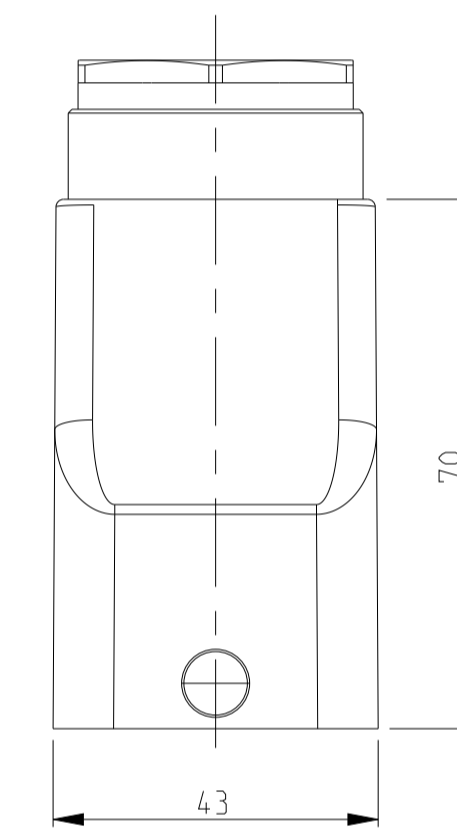
PN 2-1



PN 2-6



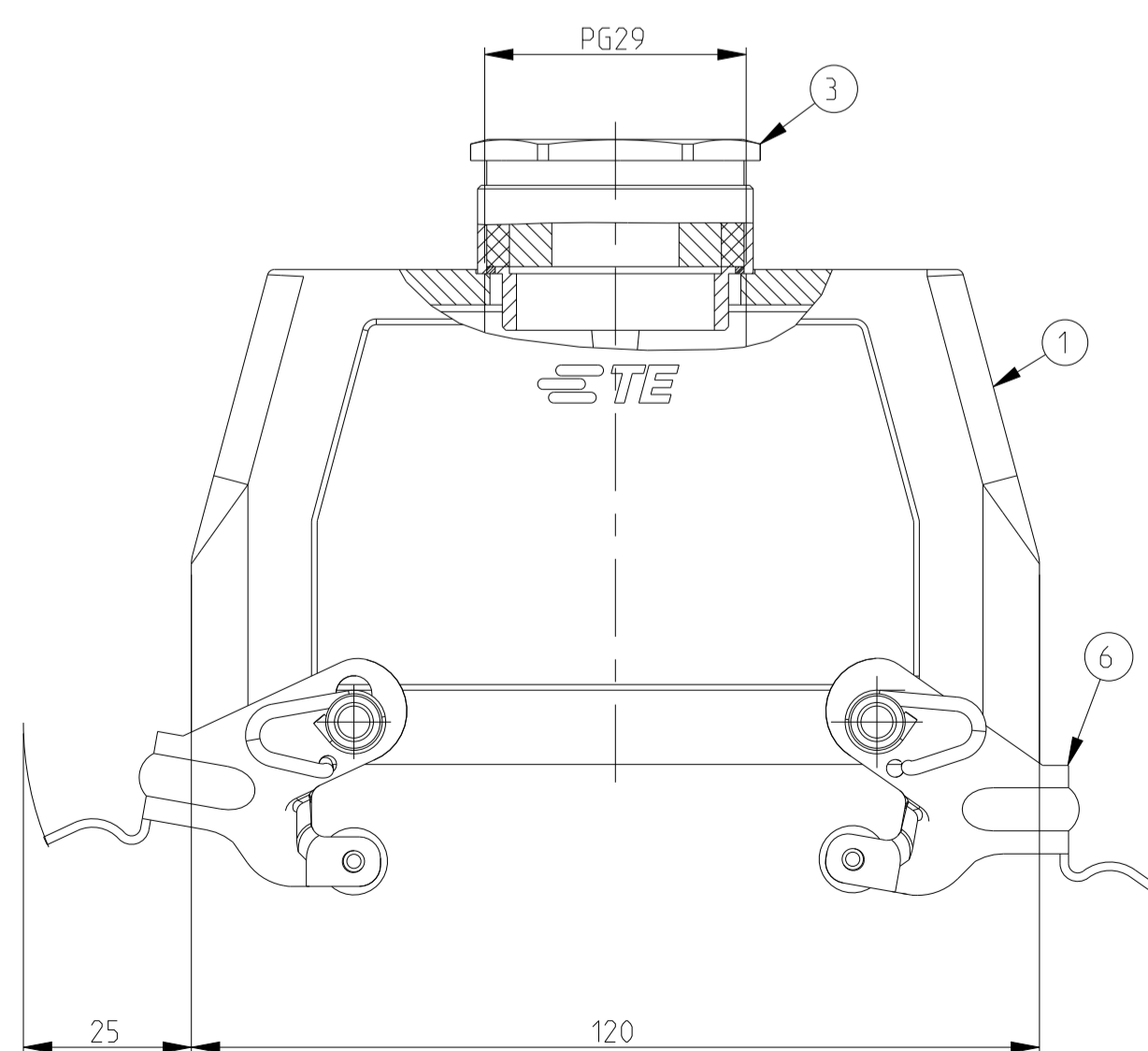
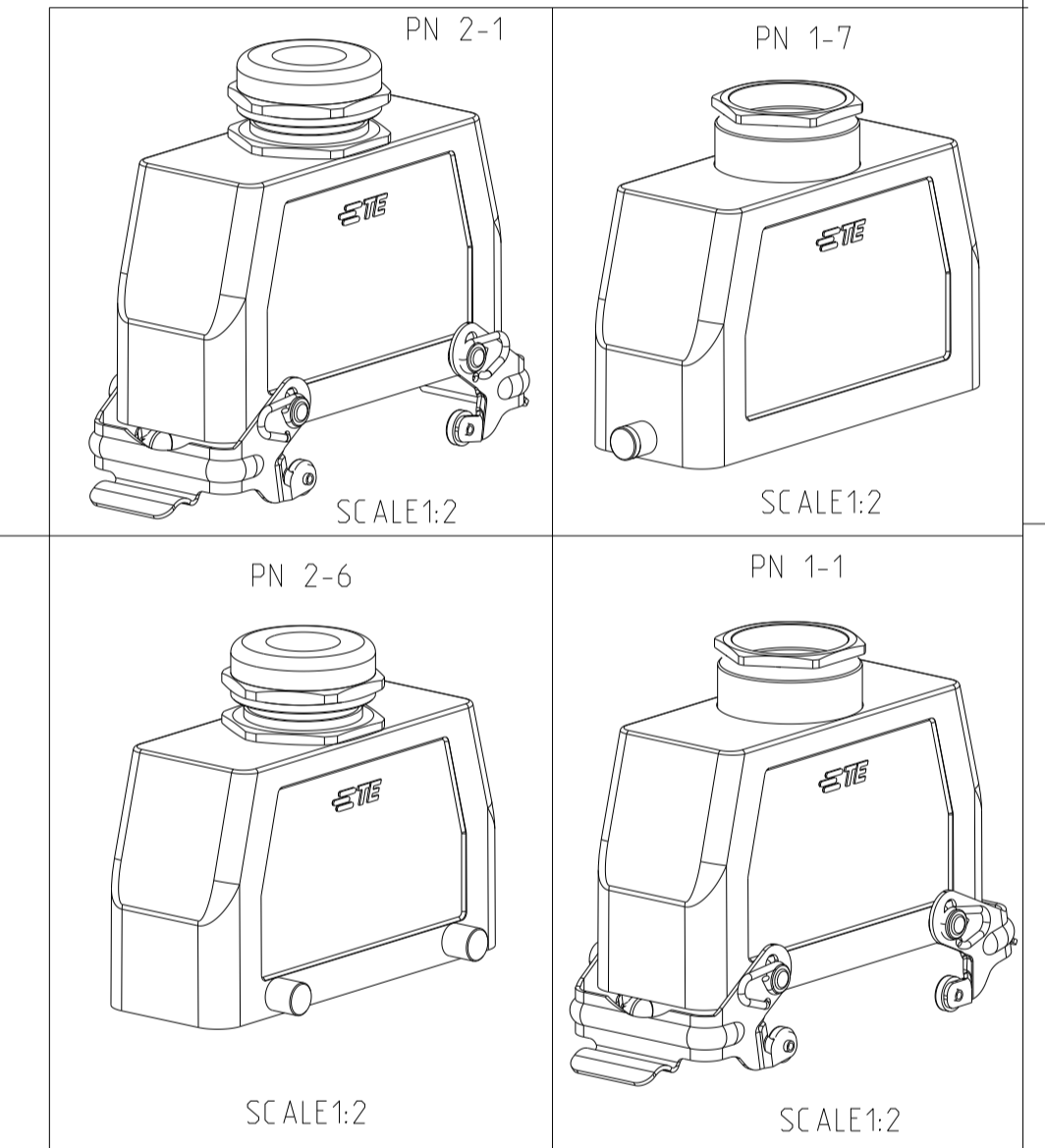
PN 1-7



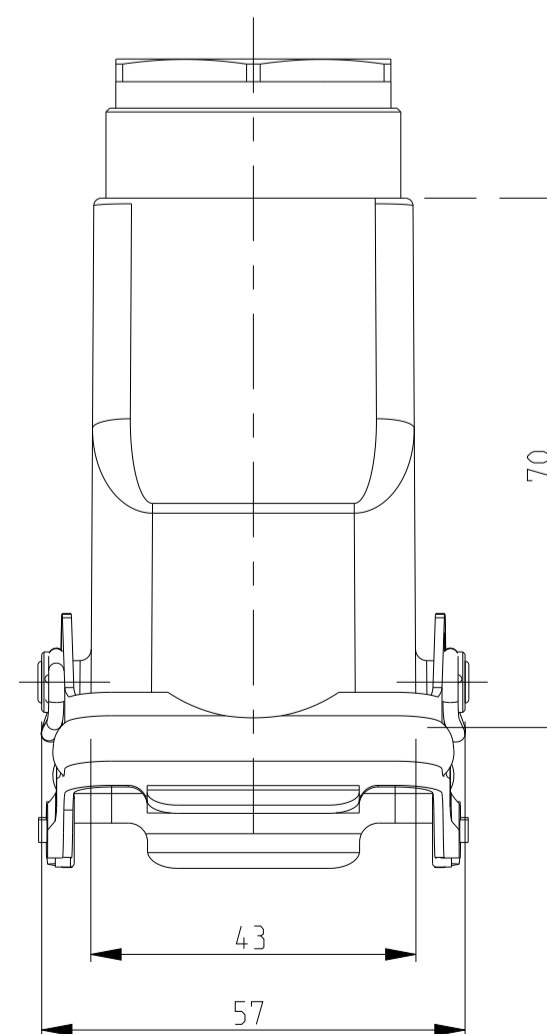
REVISIONS				
P	LTN	DESCRIPTION	DATE	OWN APVD
B4		Released as per ECR-07-019955	22.08.07	SK TS
B5		REVISED PER ECR-24-207461	06.JUN.2024	RK WR

NOTES.

- 1 Material:Housing:Aluminium Diecasting Alloy
- 2 Surface:Varnish grey
- 3 Varnish on the inside not necessary
- 4 Packaging Quantity 5 Pieces in a box



PN 1-1



QTY	DESCRIPTION	MATERIAL	SURFACE	COLOR	ITEM NO	REMARKS	
1	ZB-Central clip	Stainless steel	-	Blue	11		
1	ZB-Central clip	Steel	Zinc plated	Blue	10		
2	LB-Clip bolt	Stainless steel	-		9		
2	LB-Clip bolt	Steel	Zinc plated	Blue	8		
2	VS-Side clip	Stainless steel	-		7		
2	VS-Side clip	Steel	Zinc plated	Blue	6		
4	VS-Clip bolt	Stainless steel	-		5		
1	HUT-Gland fitting Pg29	Brass	Nickel plated		4		
1	PG-Gland fitting Pg29	Brass	Nickel plated		3		
1	Hood HB.24.Pg.1.29	Aluminium	Aluminium oxide	Black	2		
1	Hood HB.24.Pg.1.29	Aluminium	-	Grey	1		
2-3	1-3 2-7 1-7 2-1 1-1 2-6 1-6	DESCRIPTION	MATERIAL	SURFACE	COLOR	ITEM NO	REMARKS
ORDERING TEXT							
HB.24.Sto.1.29							
HB.-K.24.Sto.1.29							
HB24.Sto-VS.1.29							
HB.-K.24.Sto-VS.1.29							
HB.24.Sto-GR.1.29							
HB-K.24.Sto-GR.1.29							
HB-Z.24.Sto.1.29							
HB-K/Z.24.Sto-ZB.1.29							

THIS DRAWING IS A CONTROLLED DOCUMENT.		OWN: Schweiger 17.07.1997		TE Connectivity	
DIMENSIONS: mm		CHK: Schnurteil 17.07.1997		NAME: Hood HB.24	
TOLERANCES UNLESS OTHERWISE SPECIFIED: 0 DIM (mm) # 1 PLC # 2 PLC # 3 PLC # 4 PLC # ANGLES #		APVD: -	PRODUCT SPEC: 108-74001		
MATERIAL: -		FINISH: -	APPLICATION SPEC: 114-74001		
			SIZE: A   00779   C=1102326		
			CUSTOMER DRAWING		
			SCALE: 1:1 SHEET 1 OF 1 REV: B5		