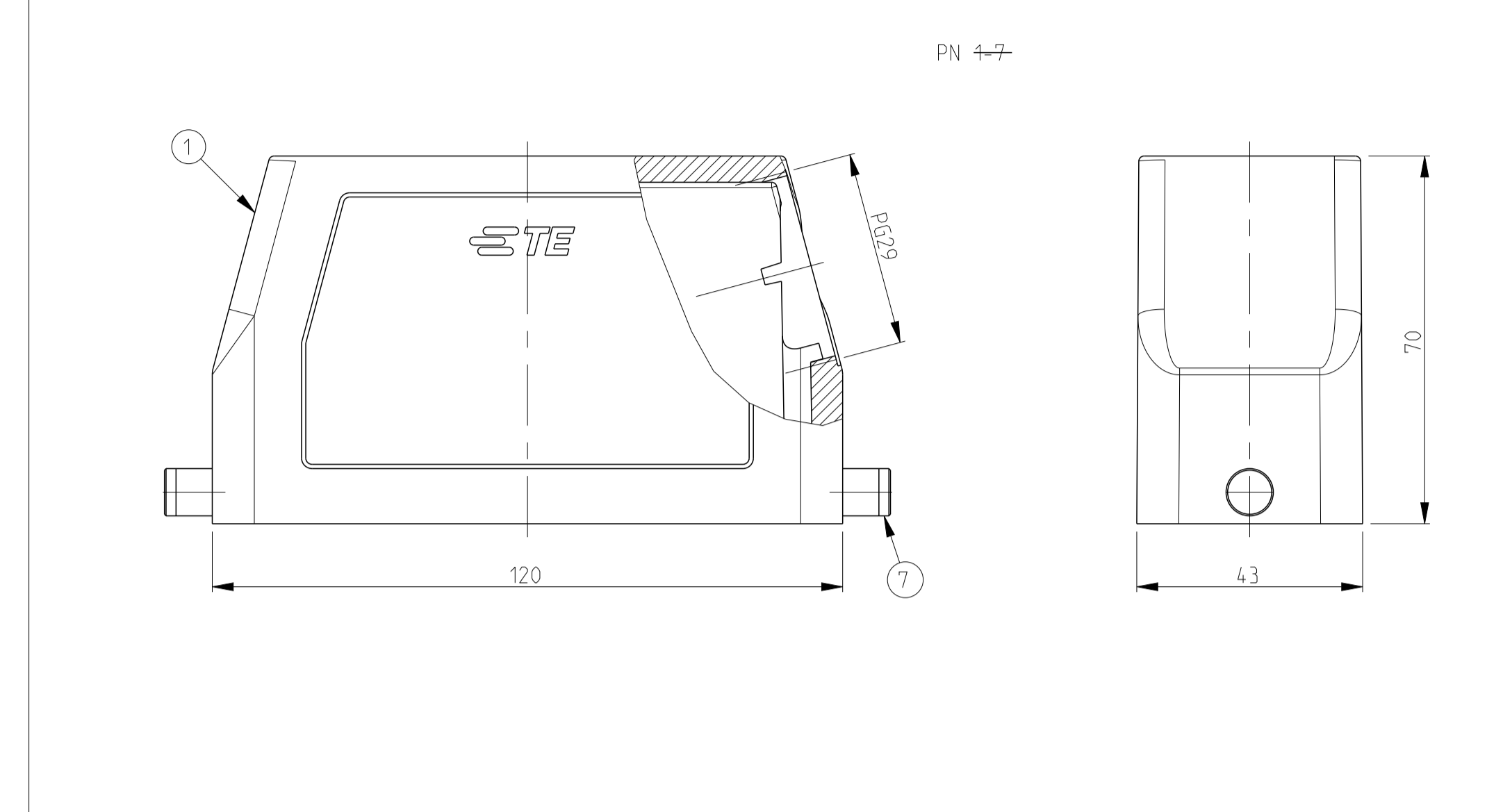
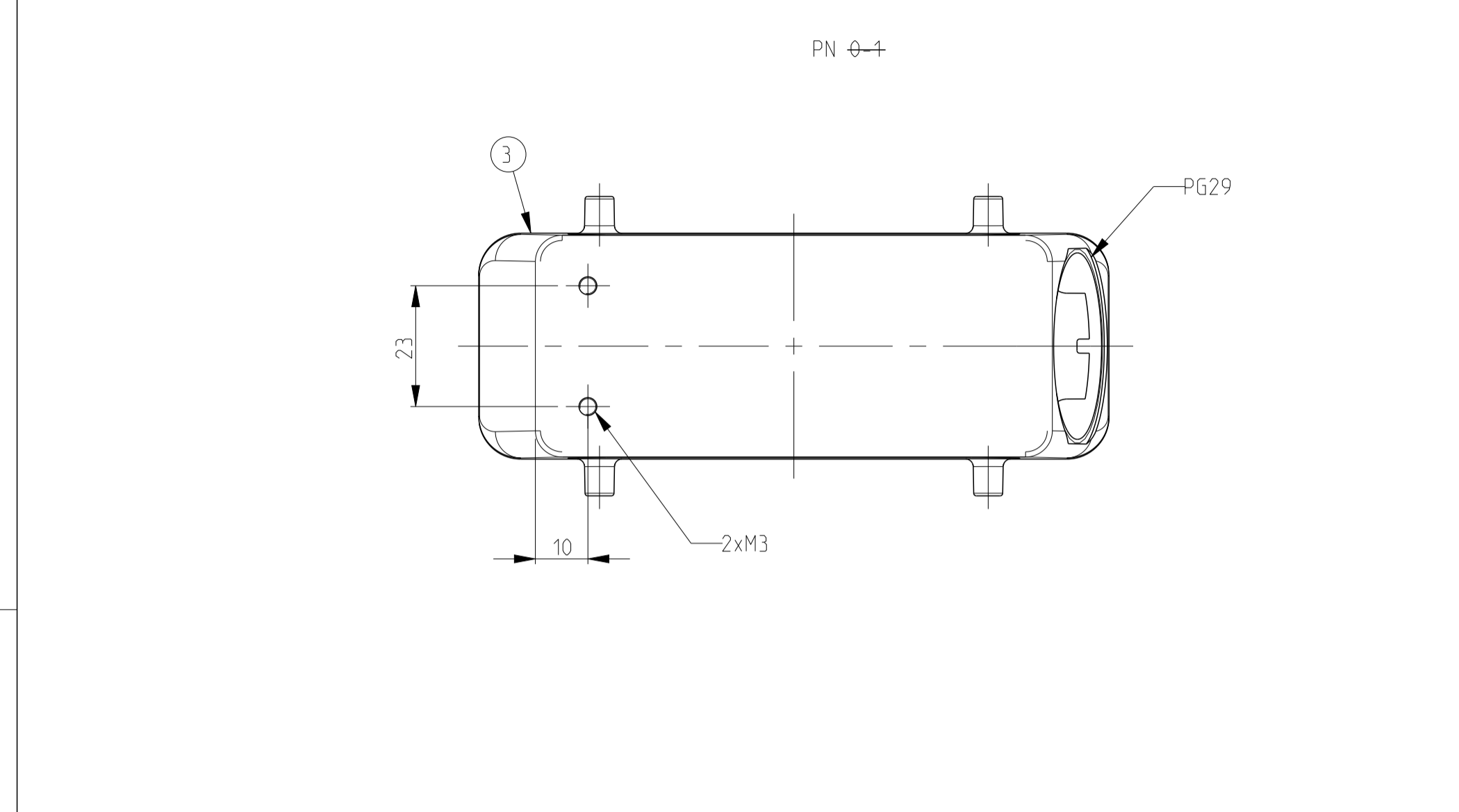
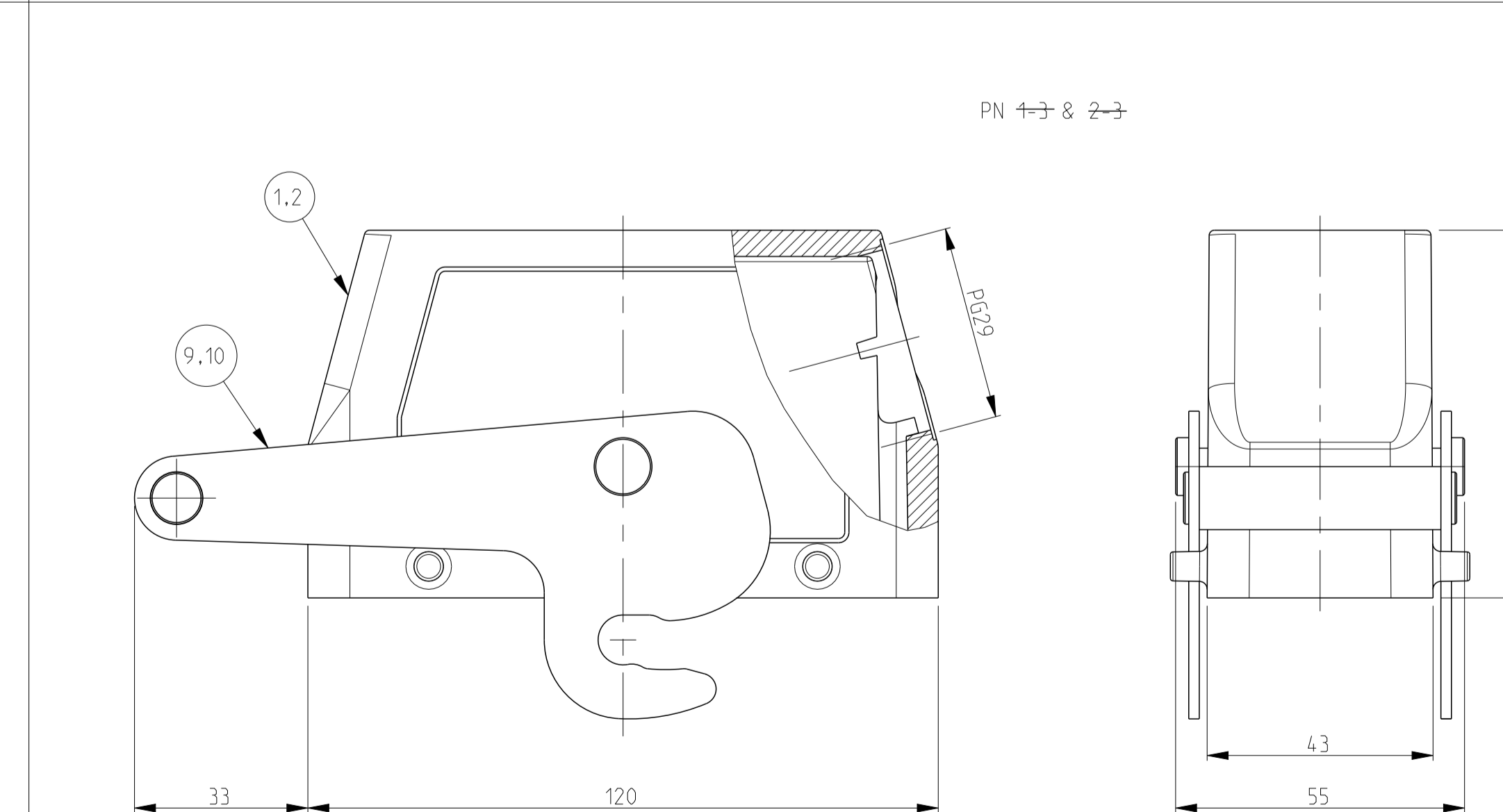
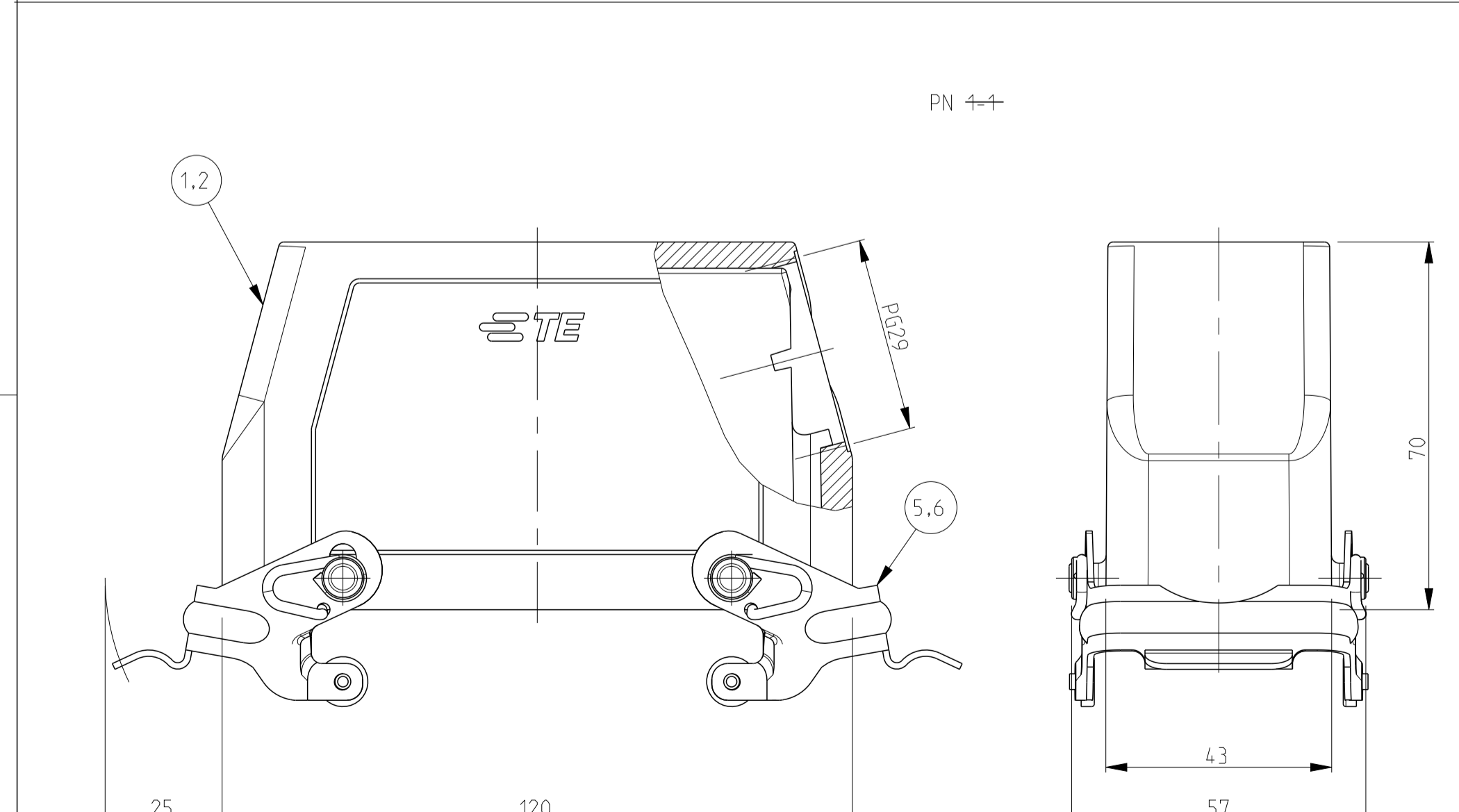
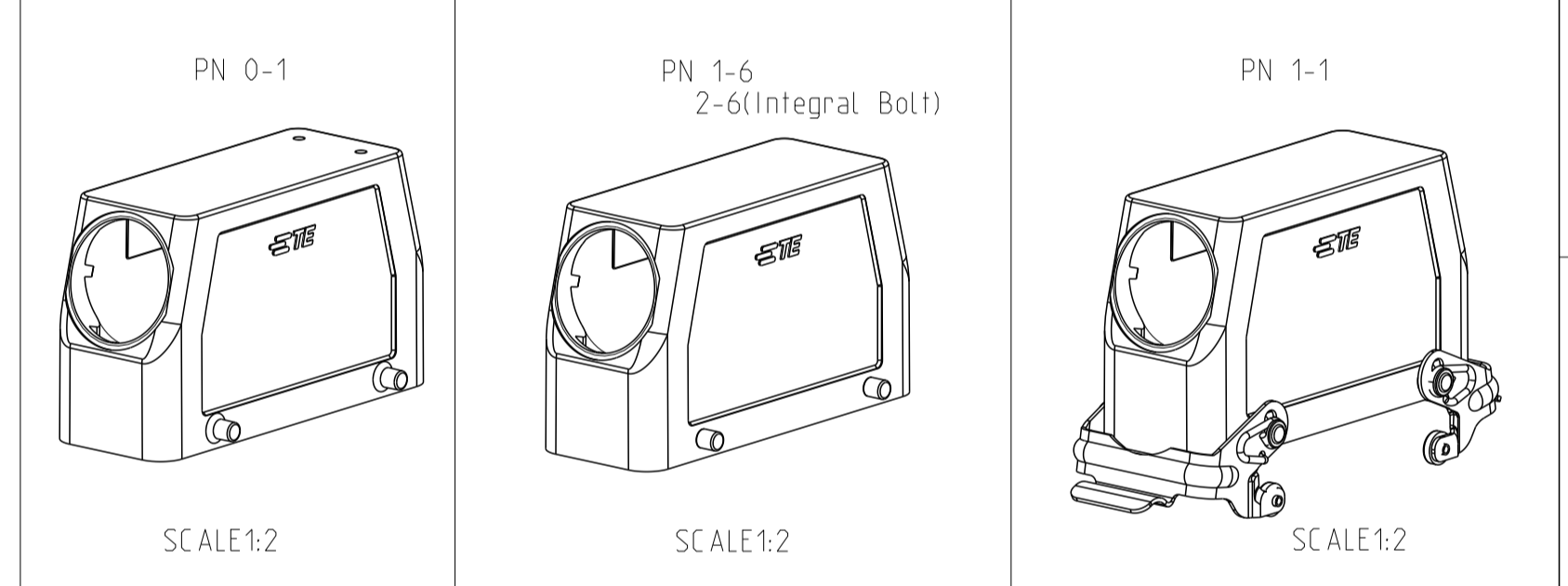
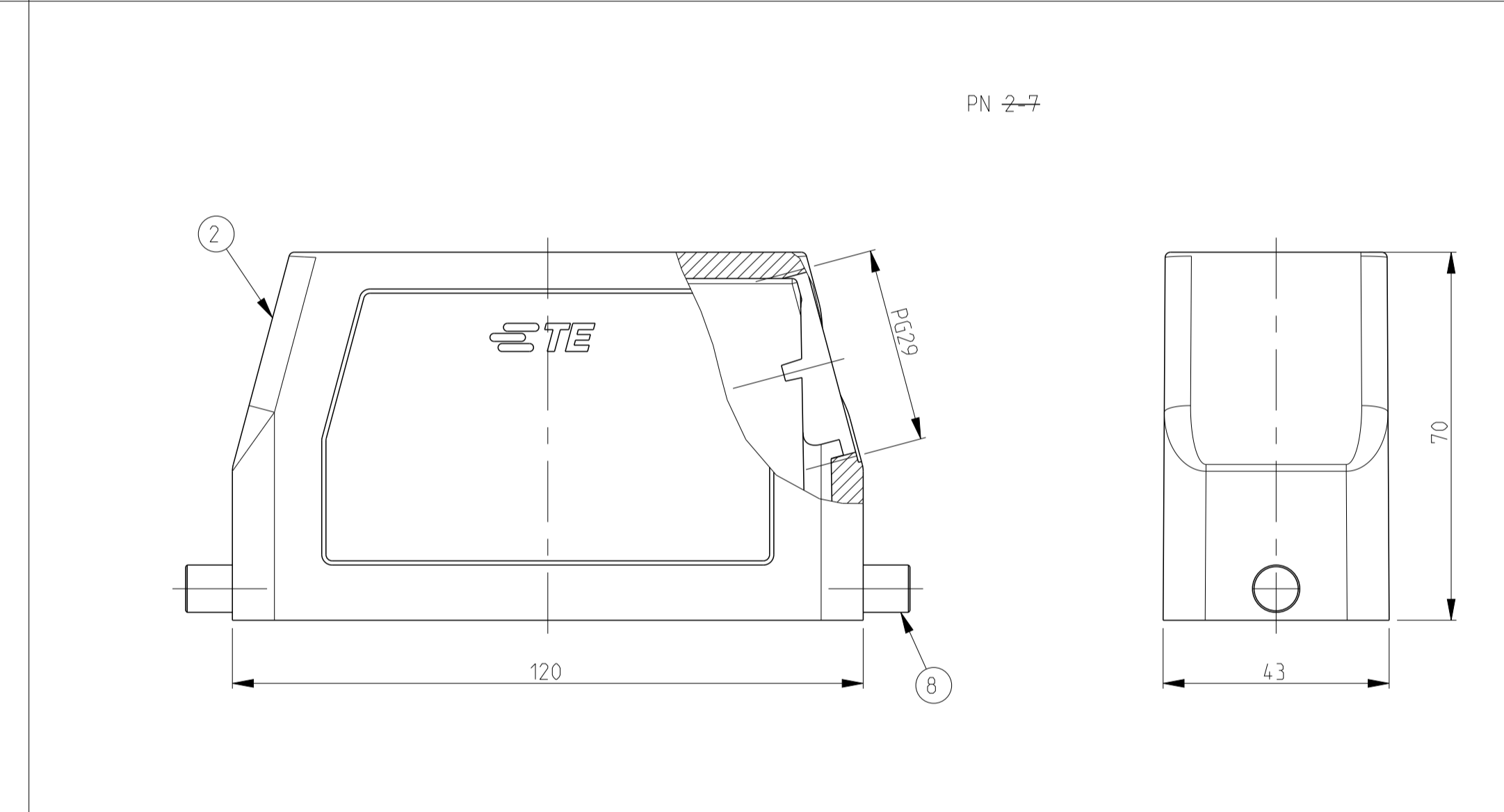
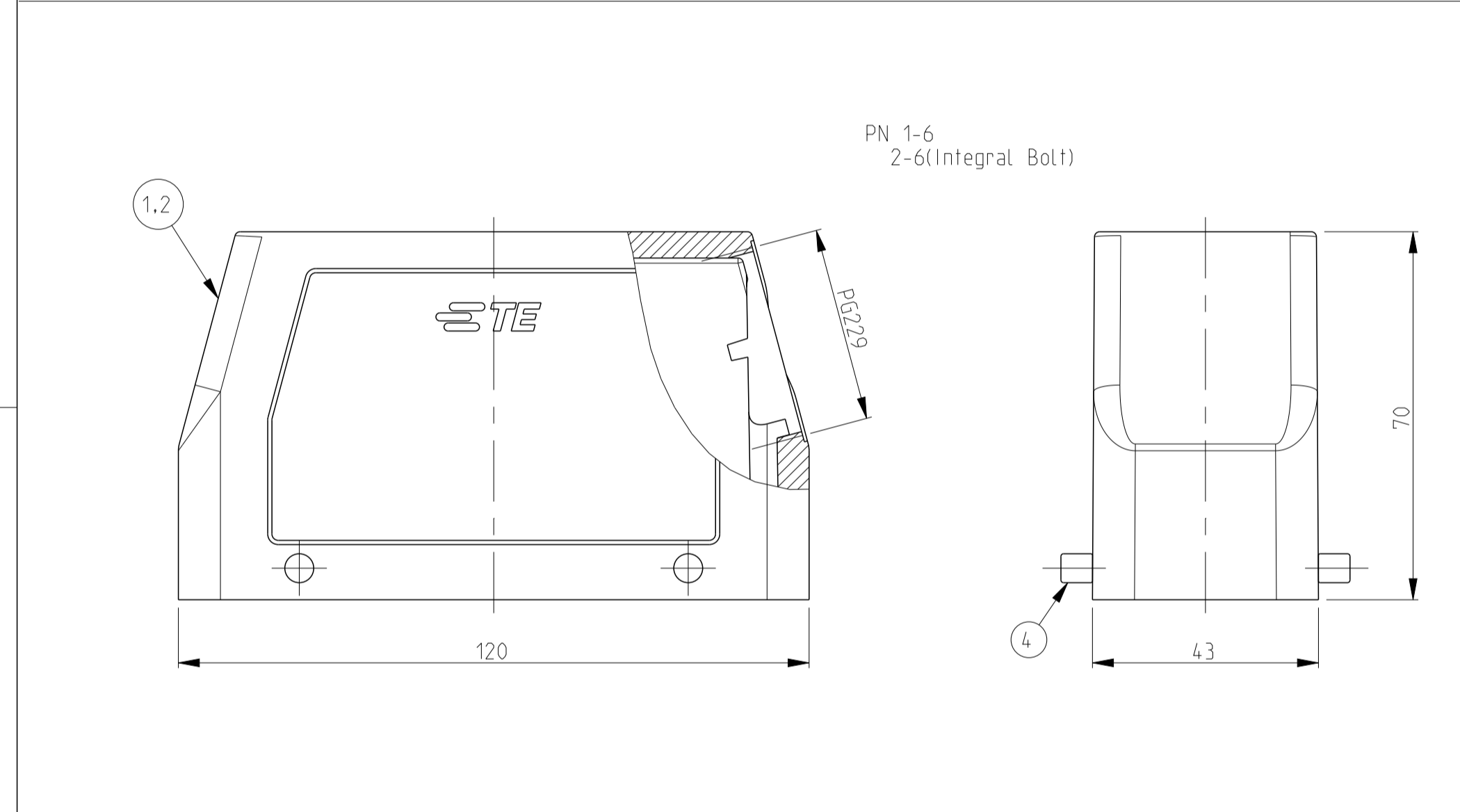
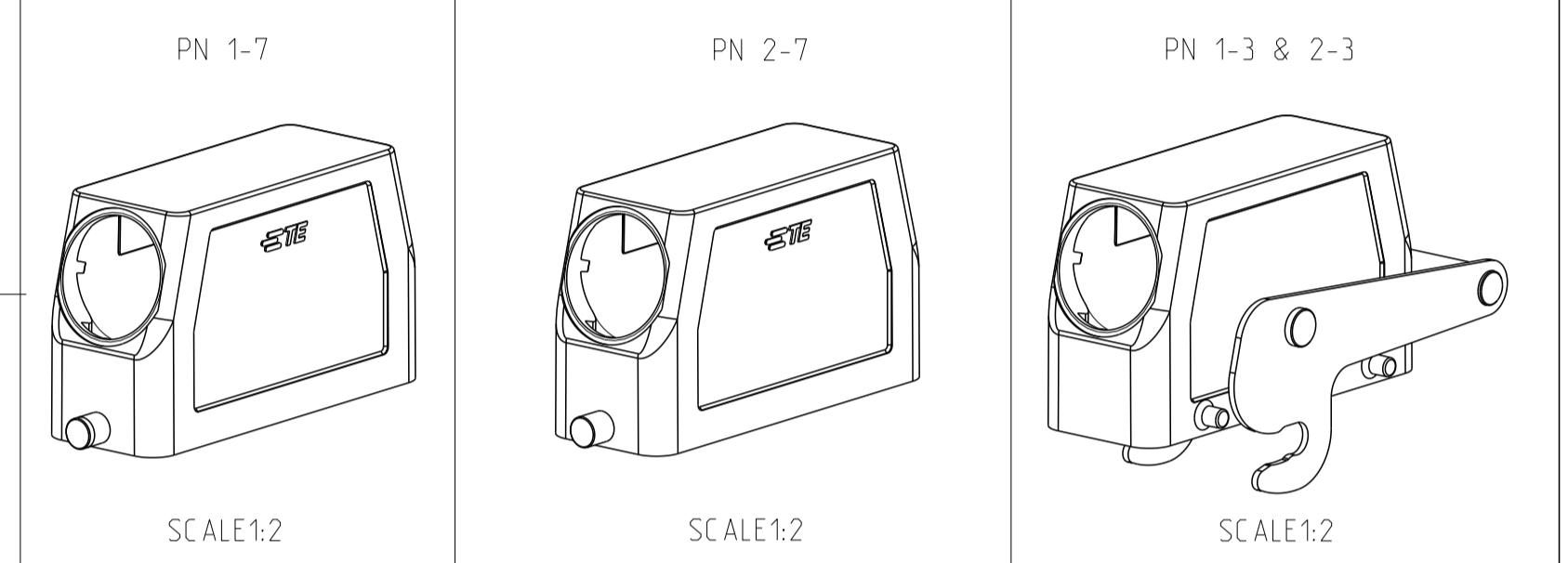


REVISIONS				
P	LTN	DESCRIPTION	DATE	DMN APVD
A3		REVISED PER ECR-16-016768	14AUG2017	NCS MKO
A4		ECR-17-013084	29MAR18	SG MKO
A5		REVISED PER ECR-24-207624	29MAY2024	RK WR



- NOTES.
- 1 Material:Housing:Aluminium Diecasting Alloy
 - 2 Surface: Powder varnish grey
- Aluminium oxide+
Varnish black
 - 3 Varnish on the inside not necessary
 - 4 Packaging
Quantity 5 Pieces in a box
- OBSOLETE



QTY	ITEM NO	DESCRIPTION	MATERIAL	SURFACE	COLOR	ITEM NO	REMARKS
1	1	ZB-Central clip	Stainless Steel	Blank	-	10	
1	2	ZB-Central clip	Steel	Zinc Plated	Blue	9	
1	3	LB-Clip bolt	Stainless Steel	Blank	-	8	
1	4	LB-Clip bolt	Steel	Zinc Plated	Blue	7	
1	5	VS-Side clip	Stainless Steel	Blank	-	6	
1	6	VS-Side clip	Steel	Zinc Plated	Blue	5	
1	7	VS-Clip bolt	Stainless Steel	Blank	-	4	
1	8	HB Hood	Aluminium	-	Grey	3	Name plate
1	9	HB-K Hood	Aluminium	Aluminium Oxide	Black	2	
1	10	HB Hood	Aluminium	-	Grey	1	

ORDERING TEXT

HB-.24.STS-1.29.G
 HB-K.24.STS-1.29.G
 HB-.24.STS-1.29.G
 HB-.24.STS-VS-1.29.G
 HB-K.24.STS-VS-1.29.G
 HB-.24.STS-GR-1.29.G
 HB-K.24.STS-GR-1.29.G
 HB-Z.24.STS-ZB-1.29.G
 HB-K/Z.24.STS-ZB-1.29.G

THIS DRAWING IS A CONTROLLED DOCUMENT. DMN: Schneider 28.01.2003
 CHK: Schwaiger 28.01.2003

STE TE Connectivity

NAME: Hood
 HB-.24.STS-1.29.G

PRODUCT SPEC: 108-74003
 APPLICATION SPEC: 116-74004

SIZE: A1 CAGE CODE: 00779 DRAWING NO: 1102319 SHEET: 1 OF 1 REV: A5

CUSTOMER DRAWING SCALE: 1:1