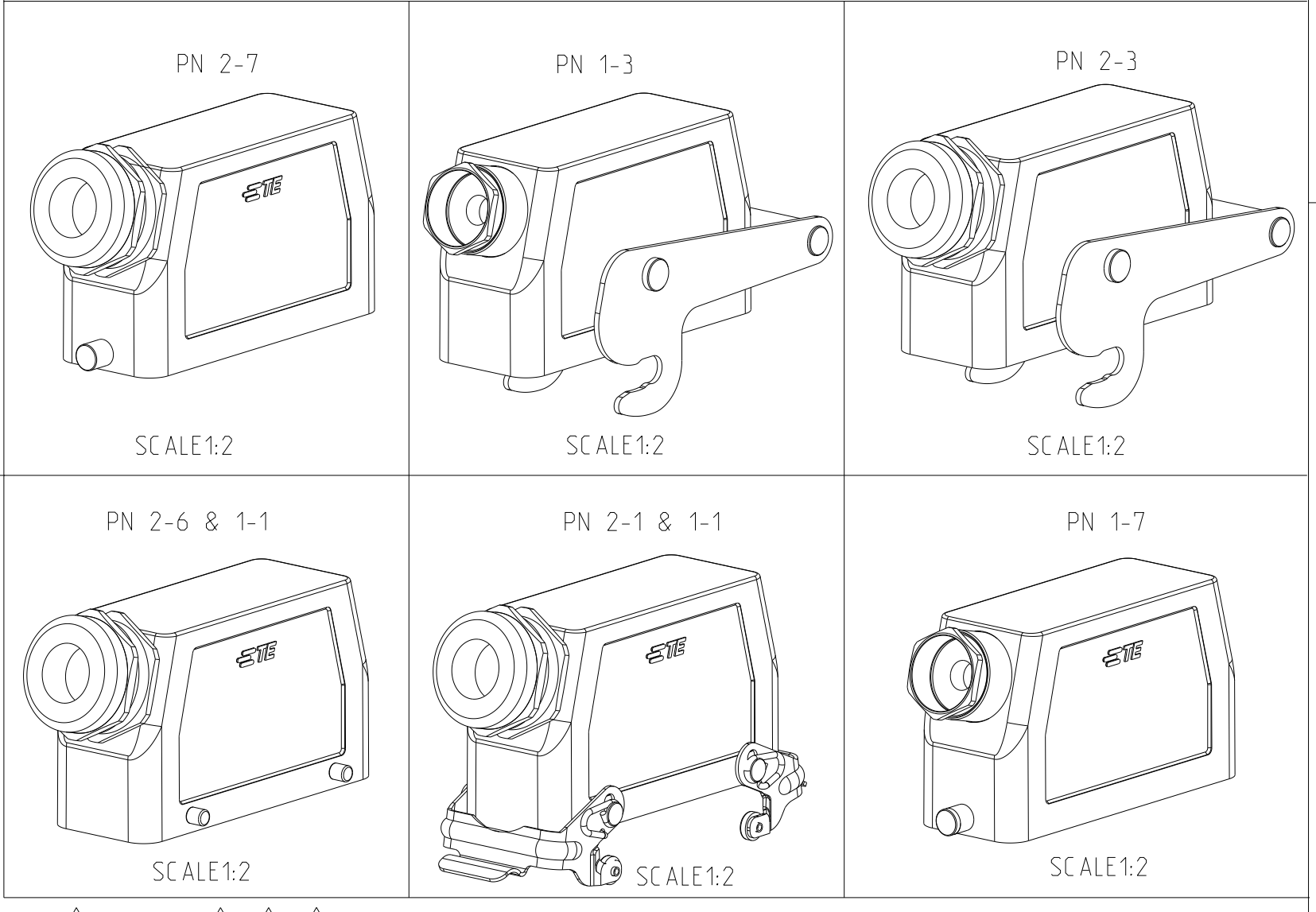
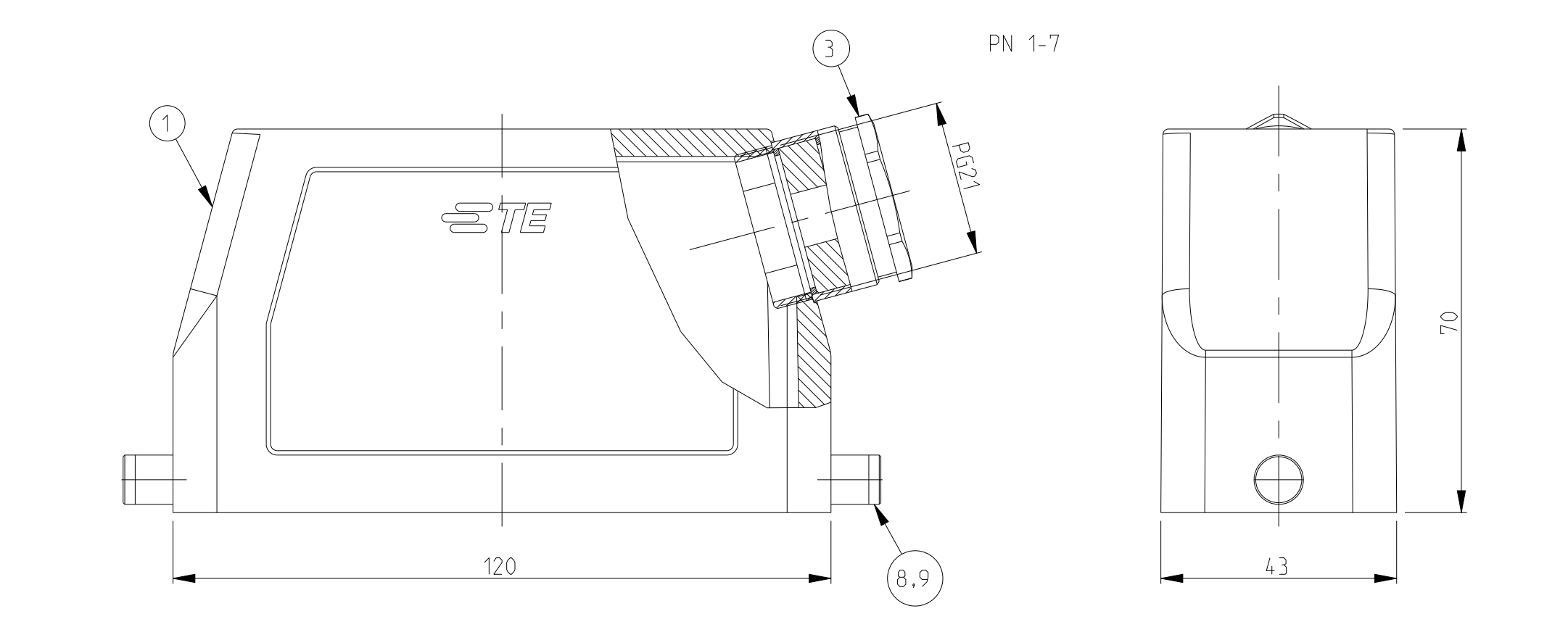
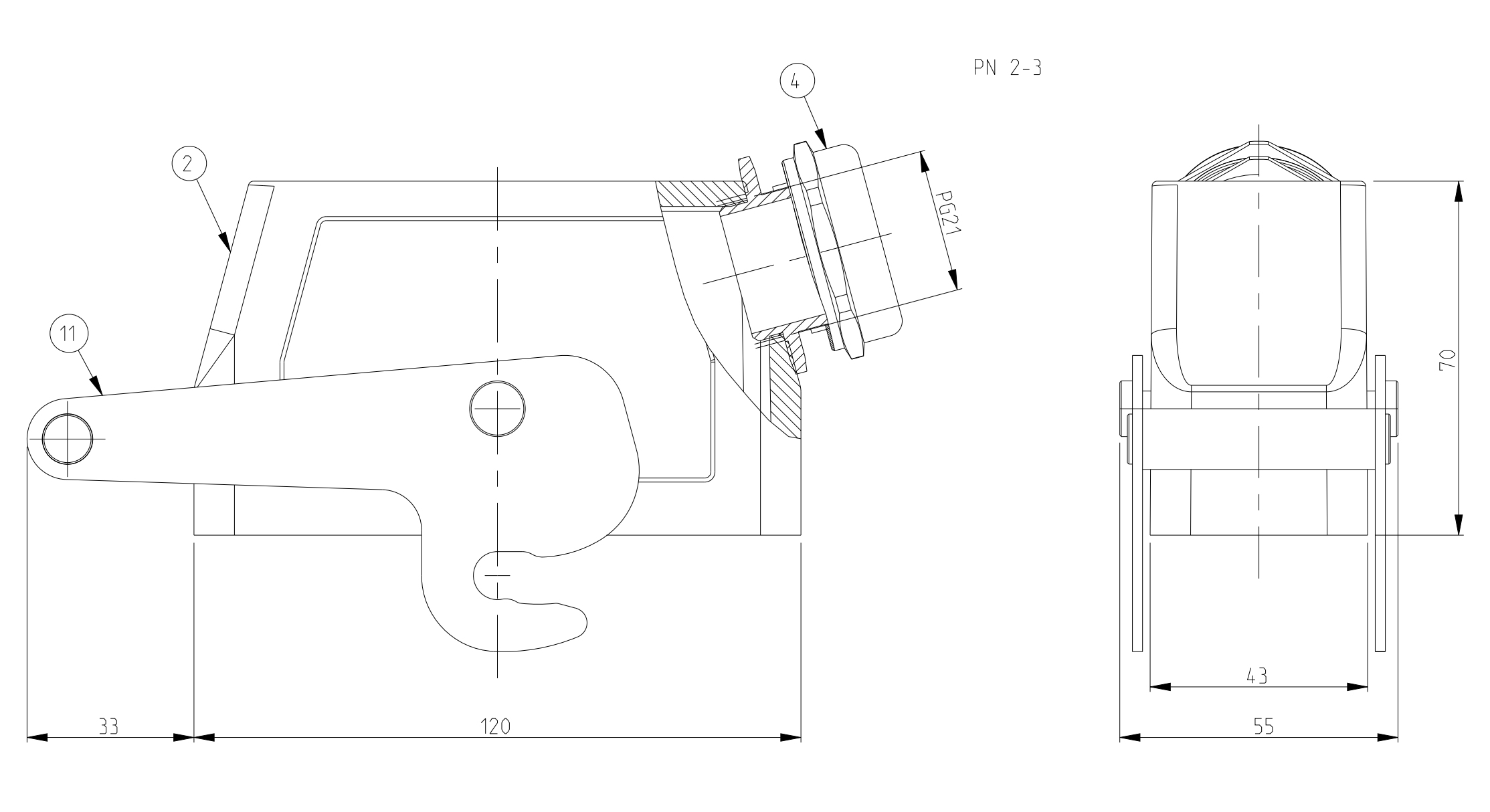
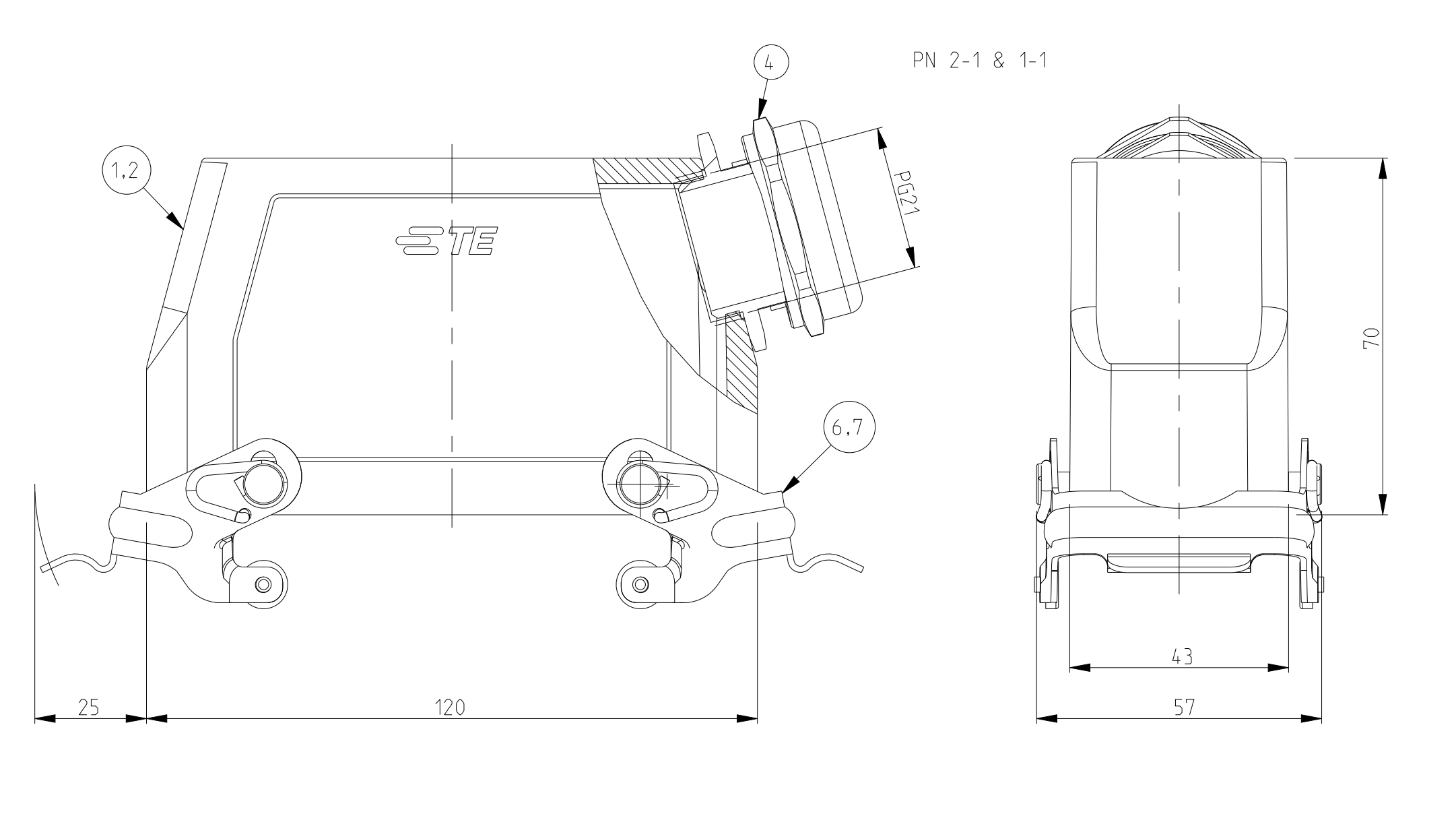
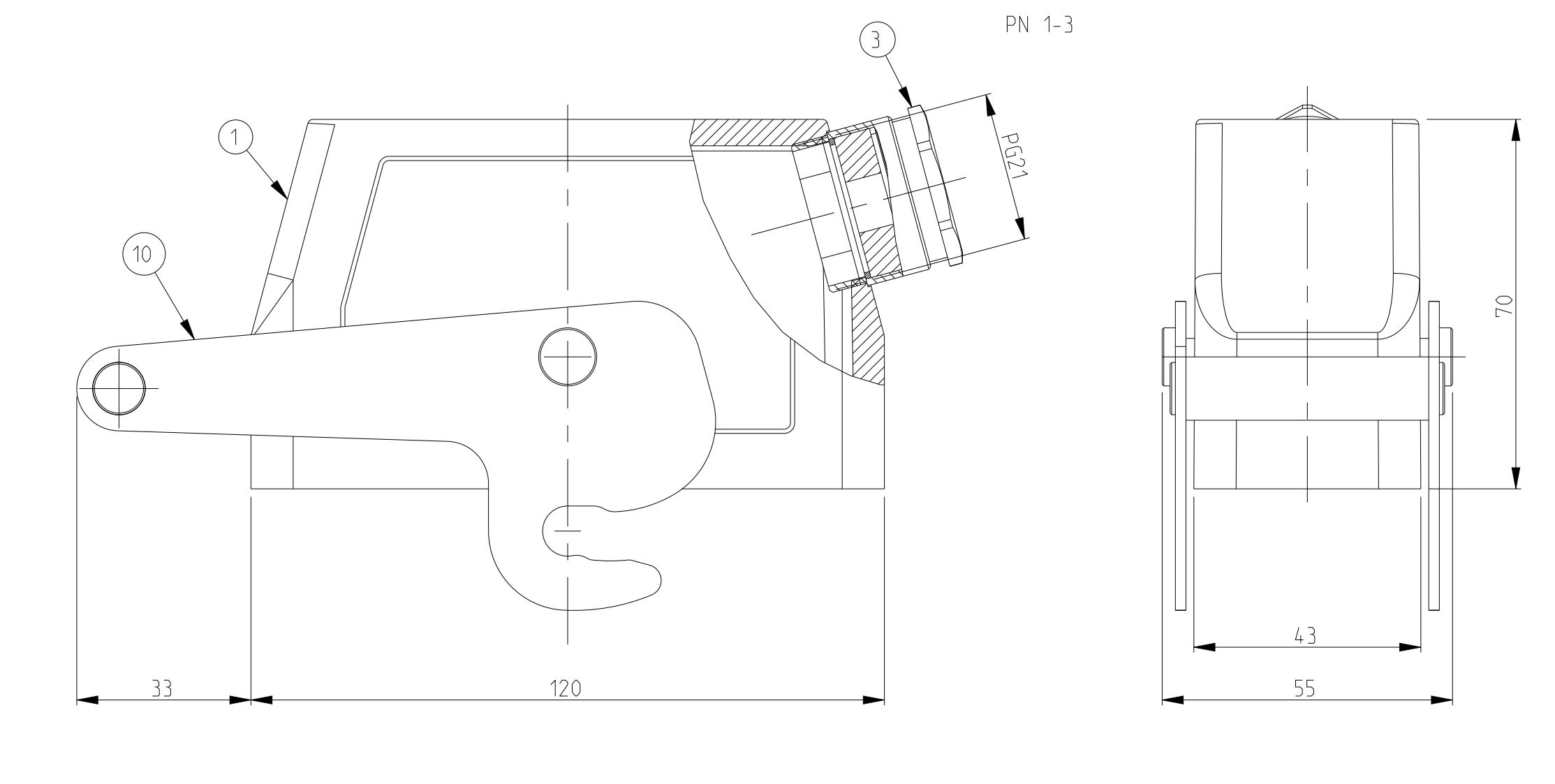
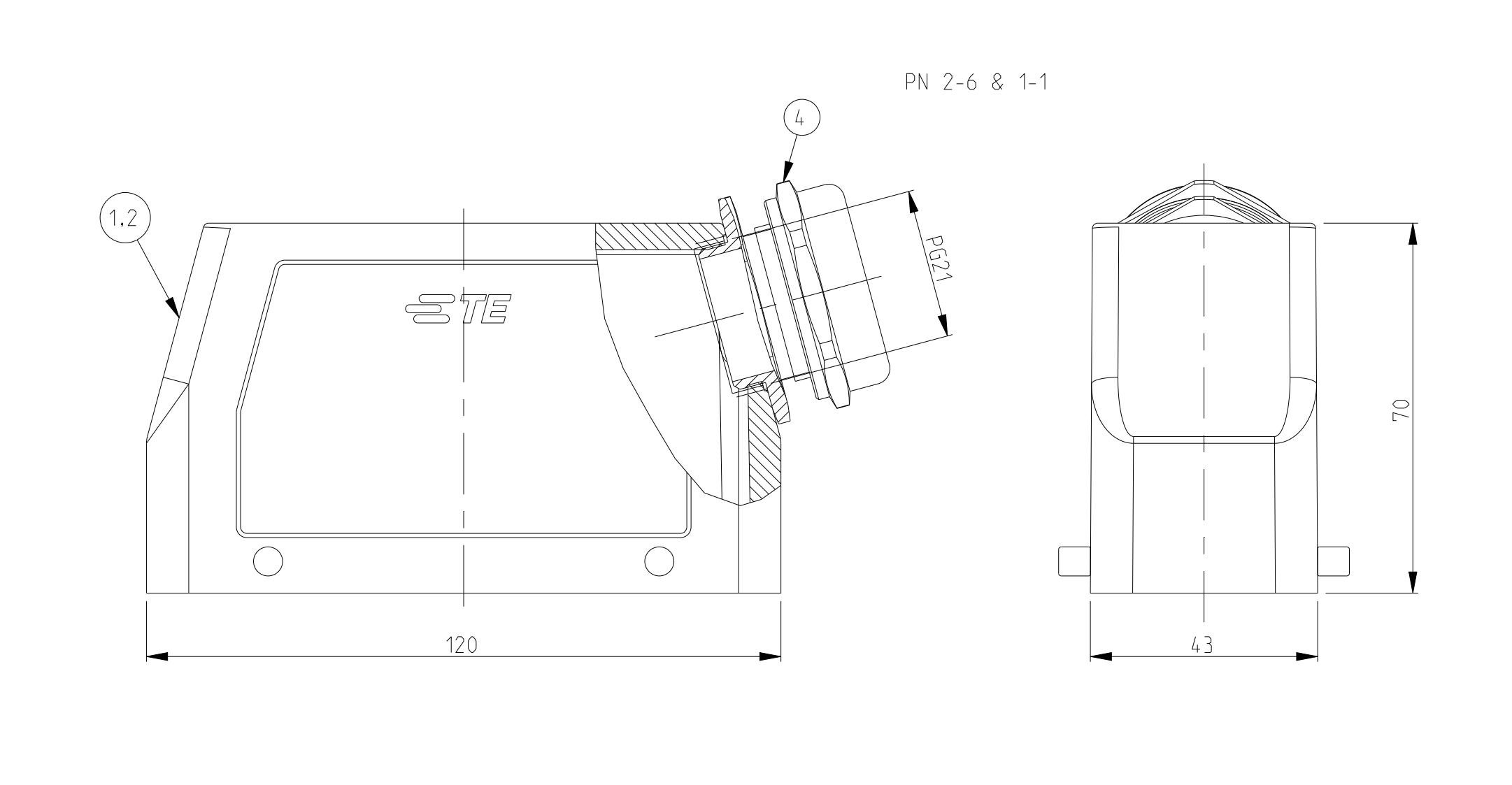


REVISIONS				
P	LTA	DESCRIPTION	DATE	OWN APVD
B2		Released as per ECR-07-019955	22.08.07	SK TS
B3		REVISED AS PER ECO-09-027197	14DEC2009	KK AEG
B4		REVISED PER ECR-24-207461	06JUN2024	RK WR



QTY	REF	DESCRIPTION	MATERIAL	SURFACE	COLOR	ITEM NO	REMARKS						
1	5	ZB-Central clip	Stainless steel	-	-	11							
1	1	ZB-Central clip	Steel	Zinc plated	Blue	10							
	2	VS-Clip bolt	Stainless steel	-	-	9							
	2	VS-Clip bolt	Steel	Zinc plated	Blue	8							
	2	VS-Locking clip	Stainless steel	-	-	7							
	2	VS-Locking clip	Steel	Zinc plated	Blue	6							
	4	VS-Locking clip bolt	Stainless steel	-	-	5							
1	1	Cable connection round	Brass	Nickel plated	-	4							
1	1	PG-Gland fitting pg21	Brass	Nickel plated	-	3							
1	1	Hood HB.24.Pg.1.21	Aluminium	Aluminiumoxide	Black	2							
1	1	Hood HB.24.Pg.1.21	Aluminium	-	Grey	1							
2-3	1-3	2-7	1-7	2-1	1-1	2-6	1-6	DESCRIPTION	MATERIAL	SURFACE	COLOR	ITEM NO	REMARKS
								DESCRIPTION					
								HB.24.Sts.1.21					
								HB-K.24.Sts.1.21					
								HB.24.Sts-VS.1.21					
								HB-K.Sts-VS.1.21					
								HB.24.Sts-GR.1.21					
								HB-K.24.Sts-GR.1.21					
								HB-Z.24.Sts-ZB.1.21					
								HB-K/Z.24.Sts-ZB.1.21					

B2 Released as per ECR-07-019955 22.08.07 SK TS

- NOTES.
- Material:Housing:Aluminium Diecasting Alloy
  - Surface:Varnish grey
  - Varnish on the inside not necessary
  - Packaging  
Quantity 5 Pieces in a box
  - OBsolete PARTS: OBSOLETE CIS STREAMLINING PER D.RENAUD/D.SINISI
  - OBsolete

THIS DRAWING IS A CONTROLLED DOCUMENT.

OWN: Schweizer 17.07.1997  
CHK: Schnurteil 17.07.1997

TE Connectivity

NAME: Hood HB.24

PRODUCT SPEC: 108-74003

APPLICATION SPEC: 116-74004

WEIGHT: A | 00779

CUSTOMER DRAWING

SCALE: 1:1 SHEET 1 OF 1 REV: B4