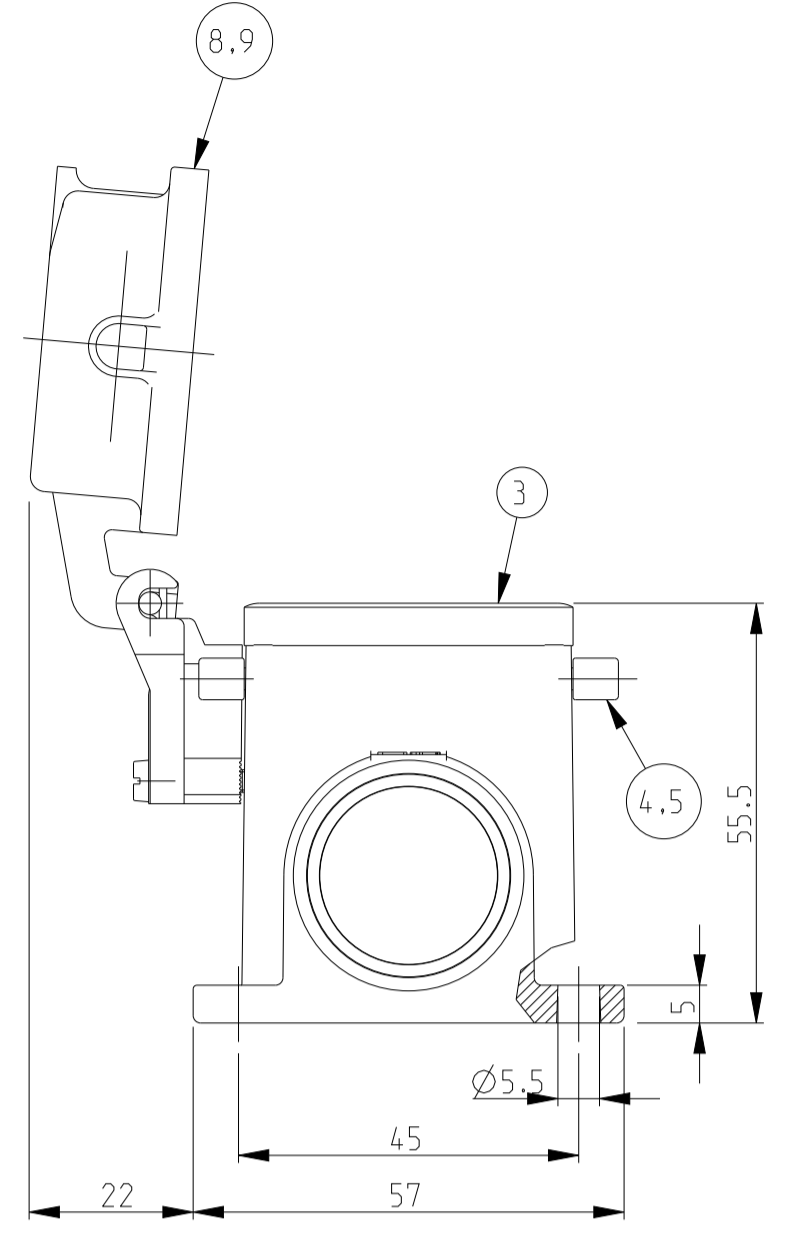
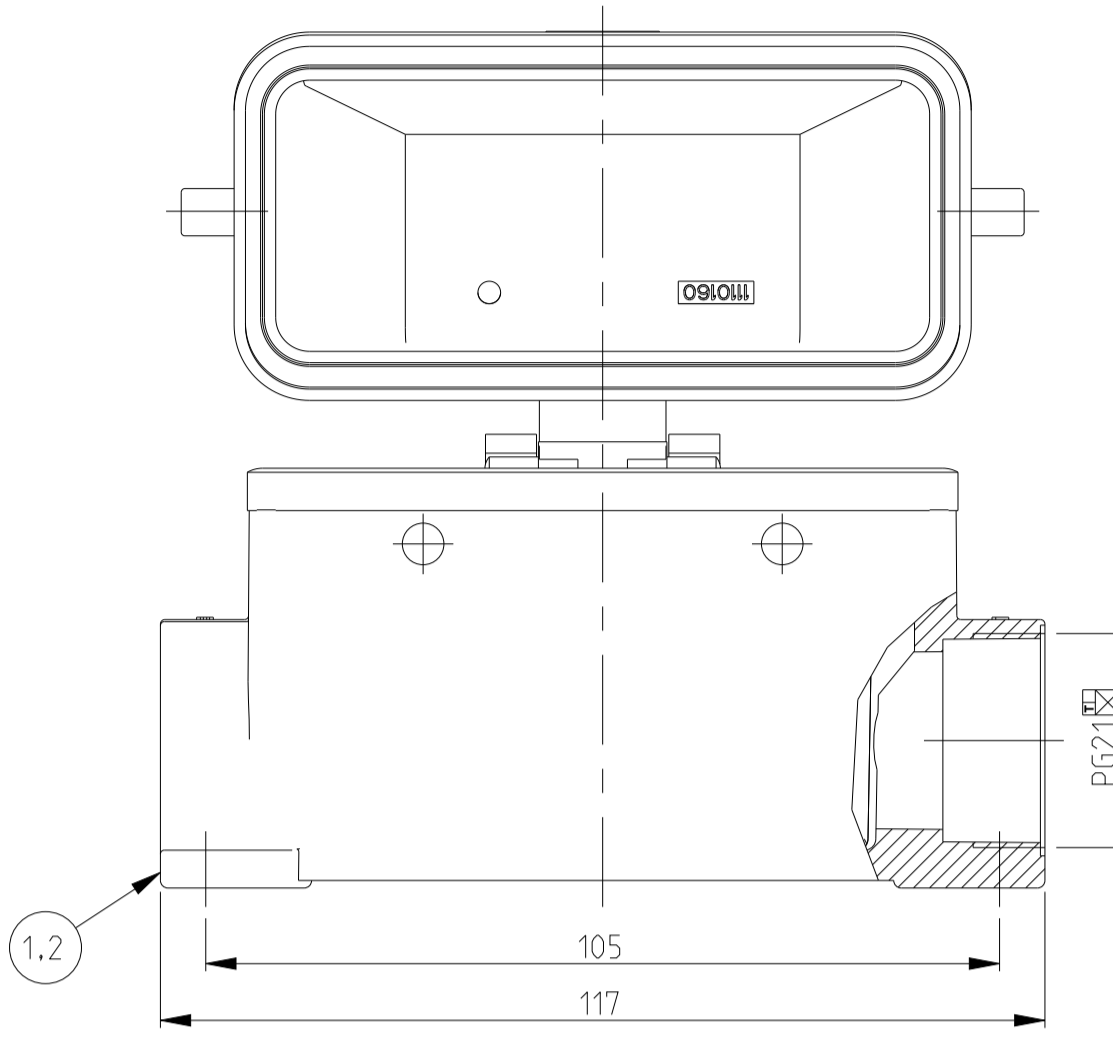


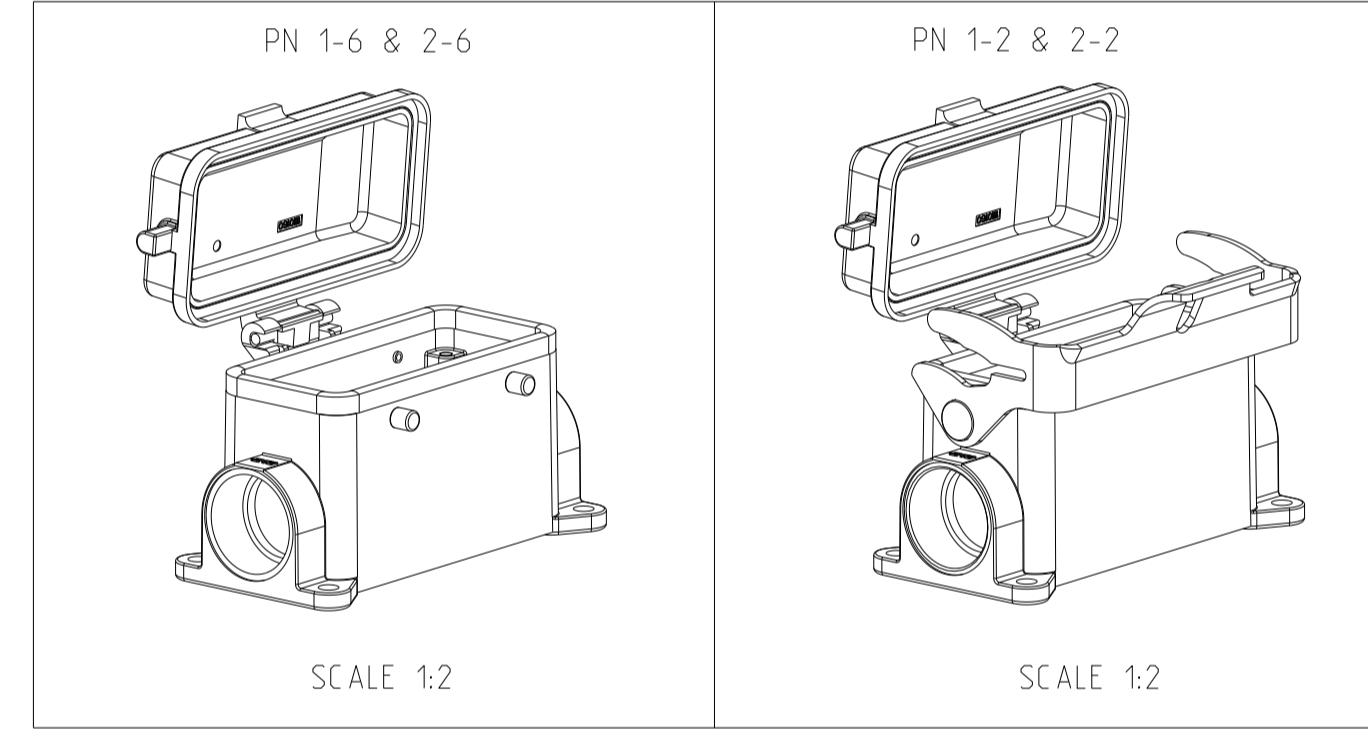
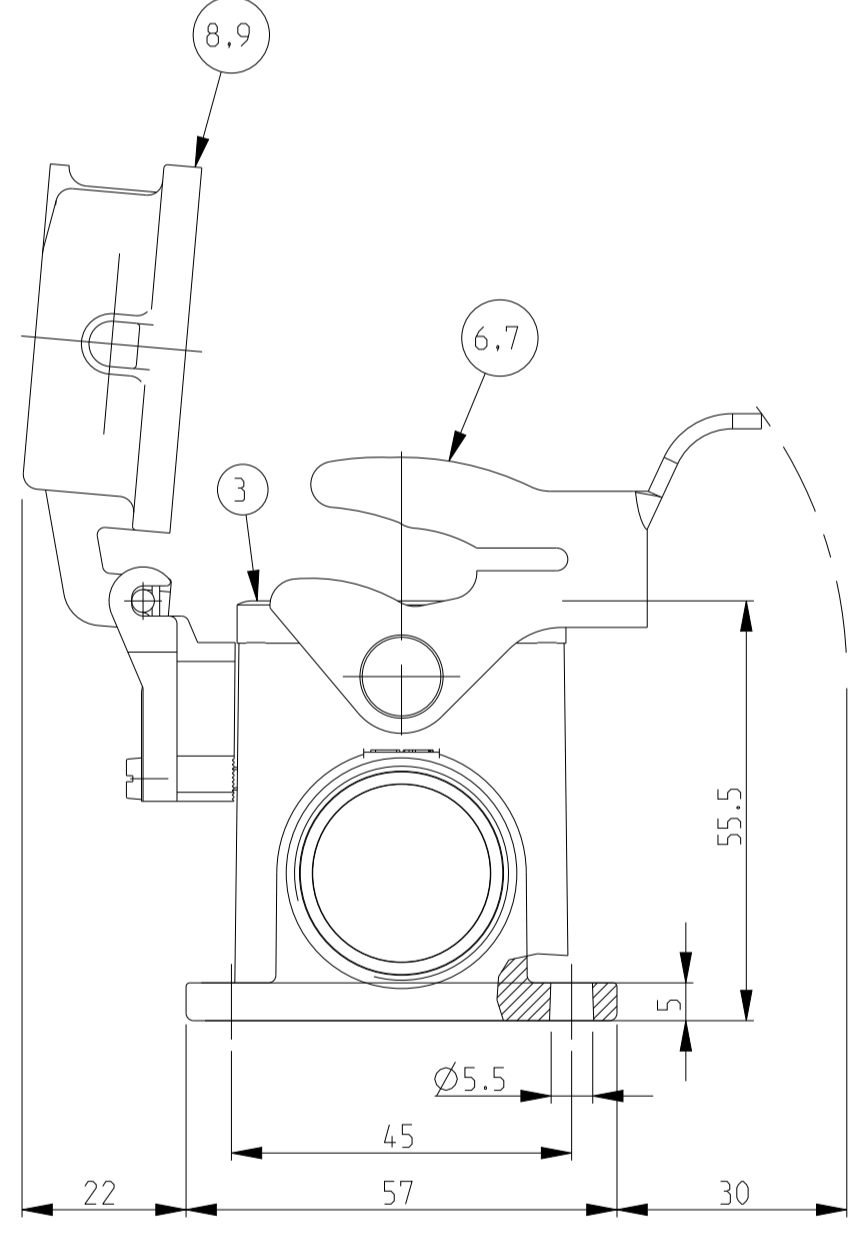
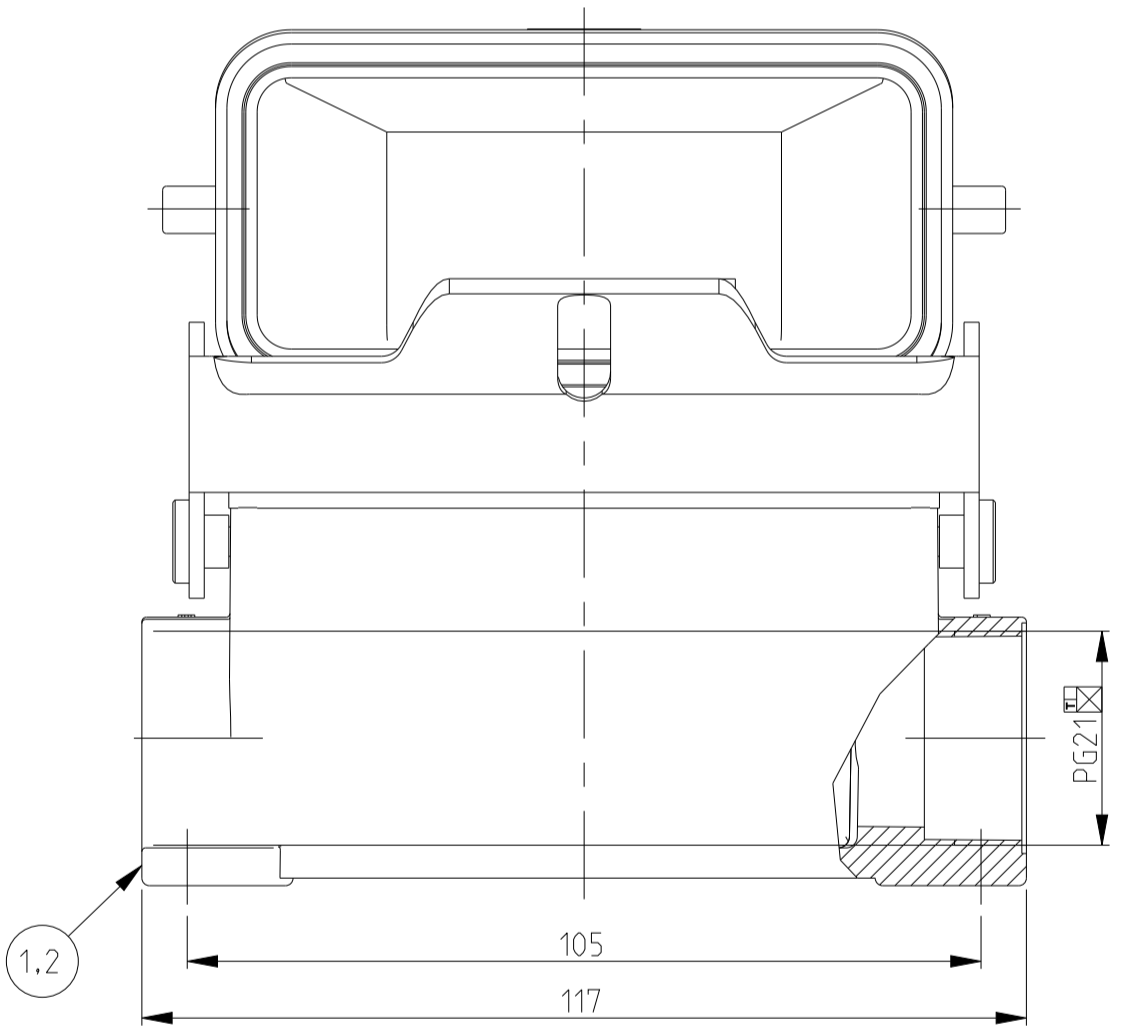
REVISIONS					
P	LTH	DESCRIPTION	DATE	DMN	APVD
A2		Released as per ECR-08-017827	16.July.2008	SP	TS
A3		REVISED PER ECR-16-016768	17AUG2017	AP	MKO
A4		ECR-017-013084	29MAR2018	SG	MKO
A5		REVISED PER ECR-24-207461	06.JUN2024	RK	WR

PN 1-6 & 2-6



- NOTES.
- 1 Material:Housing:Aluminium Diecasting Alloy
Seals:Neoprene
 - 2 Surface:Varnish
-Aluminium Oxide +Varnish Black
-Grey
 - 3 Varnish on the inside not necessary
 - 4 Packaging
Quantity 5 Pieces in a box

PN 1-2 & 2-2



OBSOLETE		OBSOLETE		OBSOLETE		OBSOLETE		OBSOLETE	
QTY	ITEM NO	DESCRIPTION	MATERIAL	SURFACE	COLOR	REMARKS	QTY	ITEM NO	REMARKS
1	1	Cover finished product HB-K	Aluminium	Aluminium oxide	Black RAL 9005	9			
1	1	Cover finished product HB	Aluminium		Grey RAL 7001	8			
1	1	LB-Side clip	Stainless steel	Blank		7			
1	1	LB-Side clip	Steel	Zinc plated	Blue	6			
1	4	VS-Clip bolt	Stainless steel	Blank		5			
1	4	VS-Clip bolt	Steel	Zinc plated	Blue	4			
1	1	Profile seal	Neoprene		Black	3			
1	1	Surface mounted housing side entry HB-K	Aluminium	Aluminium oxide	Black RAL 9005	2			
1	1	Surface mounted housing side entry HB	Aluminium		Grey RAL 7001	1			
2-2	1-2	1-6							
ORDERING TEXT									
HB.16.SGD.1.21.Z									
HB-K.16.SGD.1.21.Z									
HB.16.SGD-LB.1.21.Z									
HB-K.16.SGD-LB.1.21.Z									

THIS DRAWING IS A CONTROLLED DOCUMENT. DMN: Schneider 08.05.2003
 CHK: Schwieger 08.05.2003

STE TE Connectivity

NAME: Surface mounted housing side entry HB.16.SGD.1.21.Z

PRODUCT SPEC: 108-74001.74003
 APPLICATION SPEC: 116-74001.74004

SIZE: A1 CAGE CODE: 00779 DRAWING NO: 1102308
 SCALE: 1:1 SHEET 1 OF 1 REV: A5

MATERIAL: - DIMENSIONS: mm TOLERANCES UNLESS OTHERWISE SPECIFIED: 0 PLC ± 0.15 1 PLC ± 0.2 2 PLC ± 0.3 3 PLC ± 0.4 4 PLC ± 0.5 ANGLES FINISH: -

CUSTOMER DRAWING