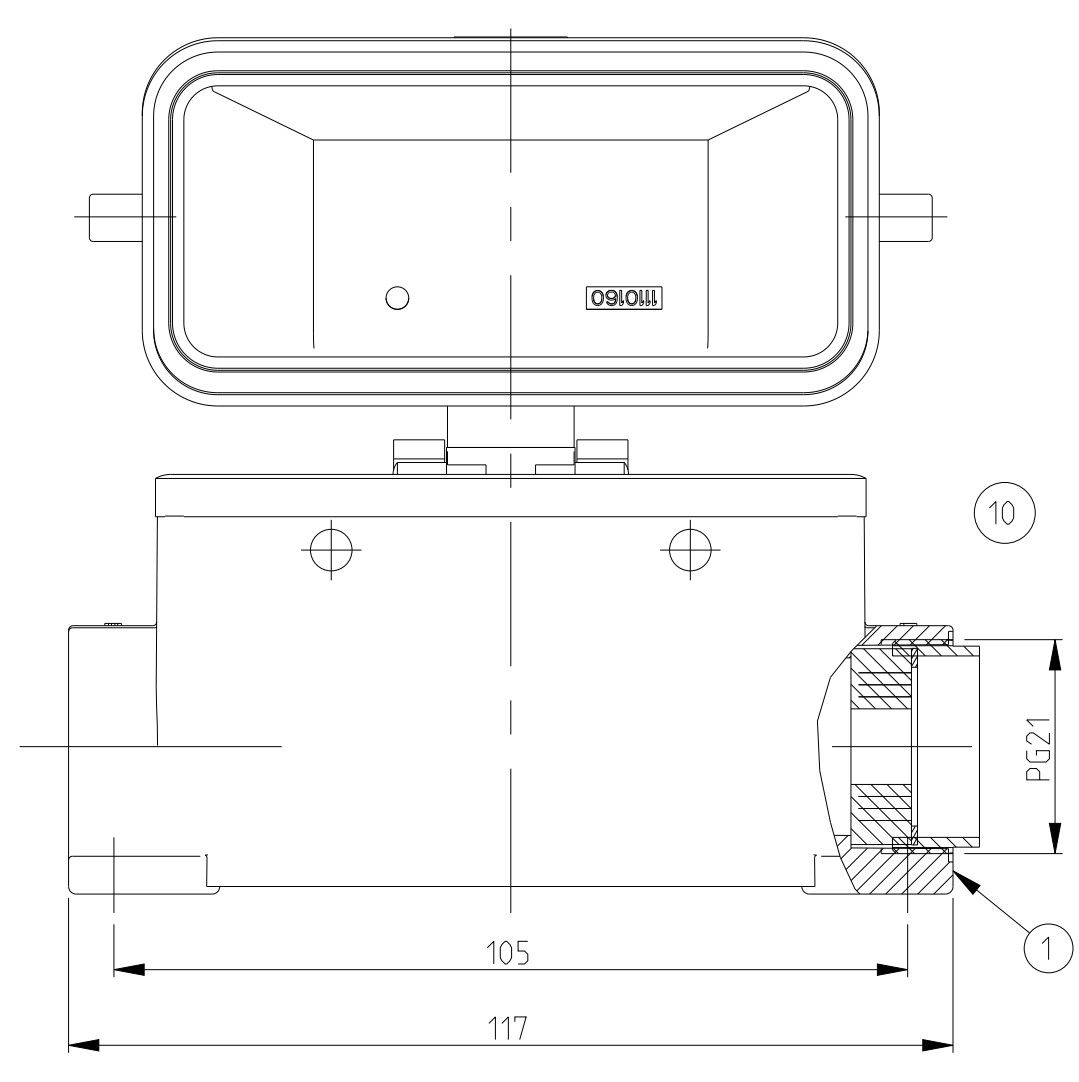
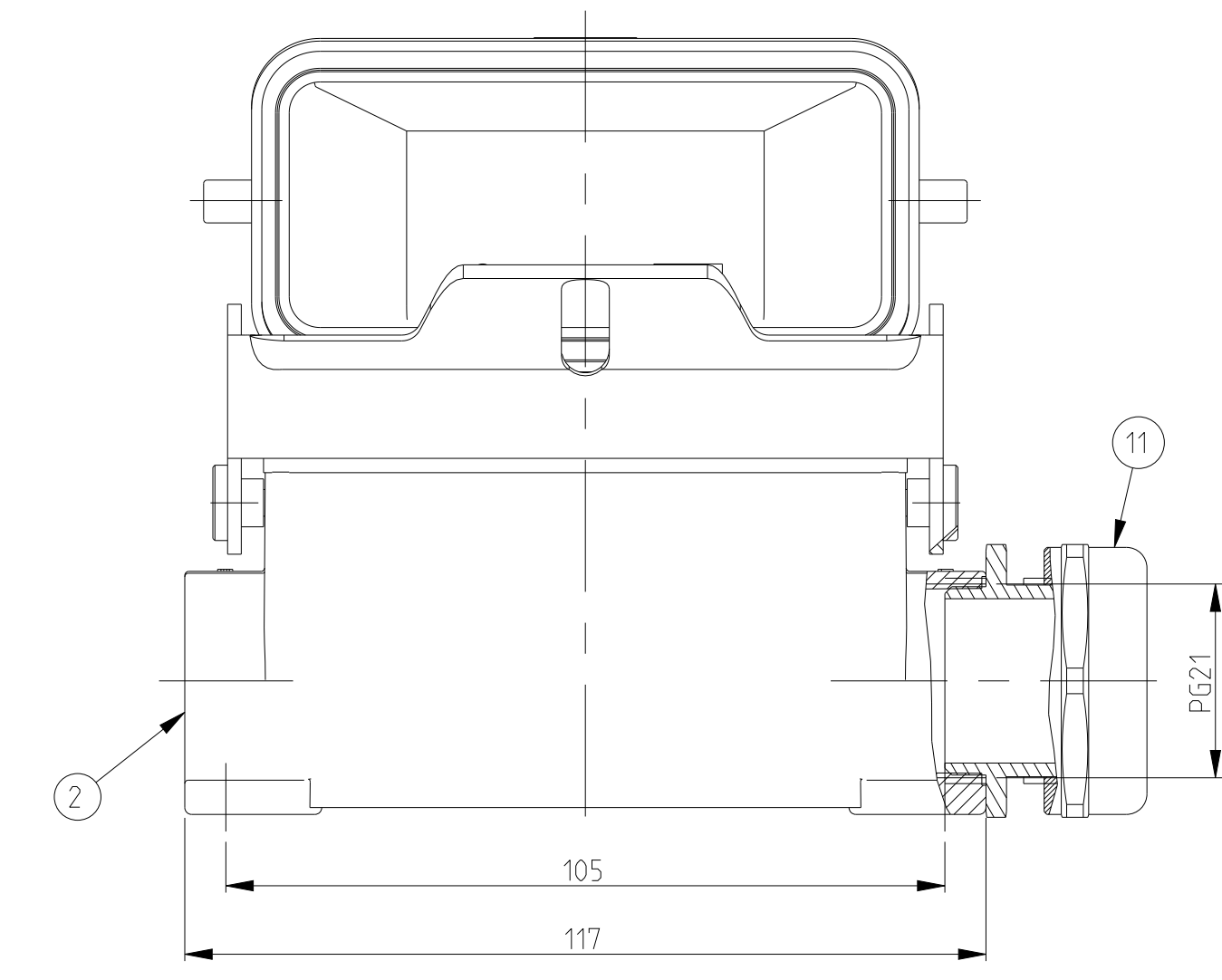
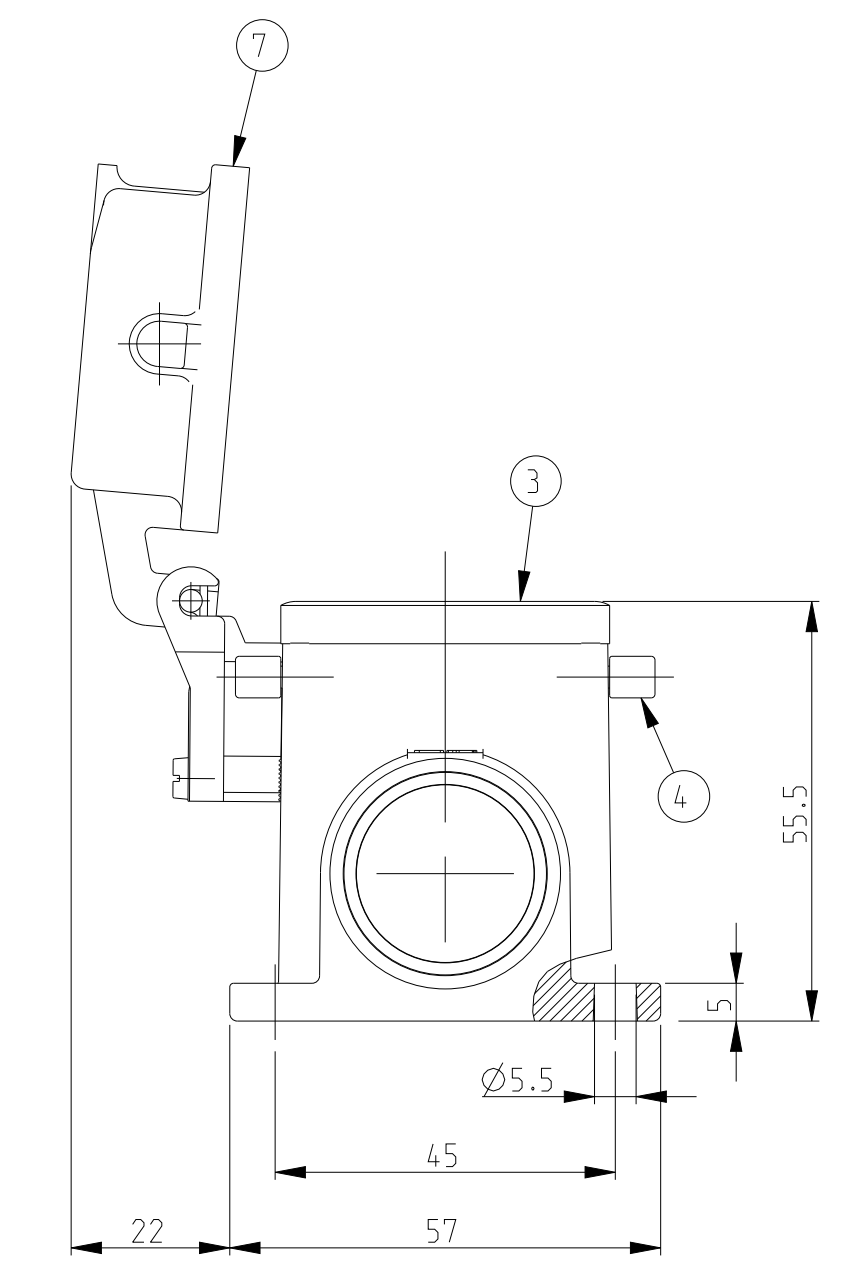


REVISIONS				
NO.	DATE	DESCRIPTION	BY	APPD.
A3	16. July 2008	Released as per ECR-08-017827	SP	TS
A4	10. JAN 2020	REVISED PER ECR-20-000199	SB	MKG
A6	06. JAN 2024	REVISED PER ECR-24-207461	RK	WR

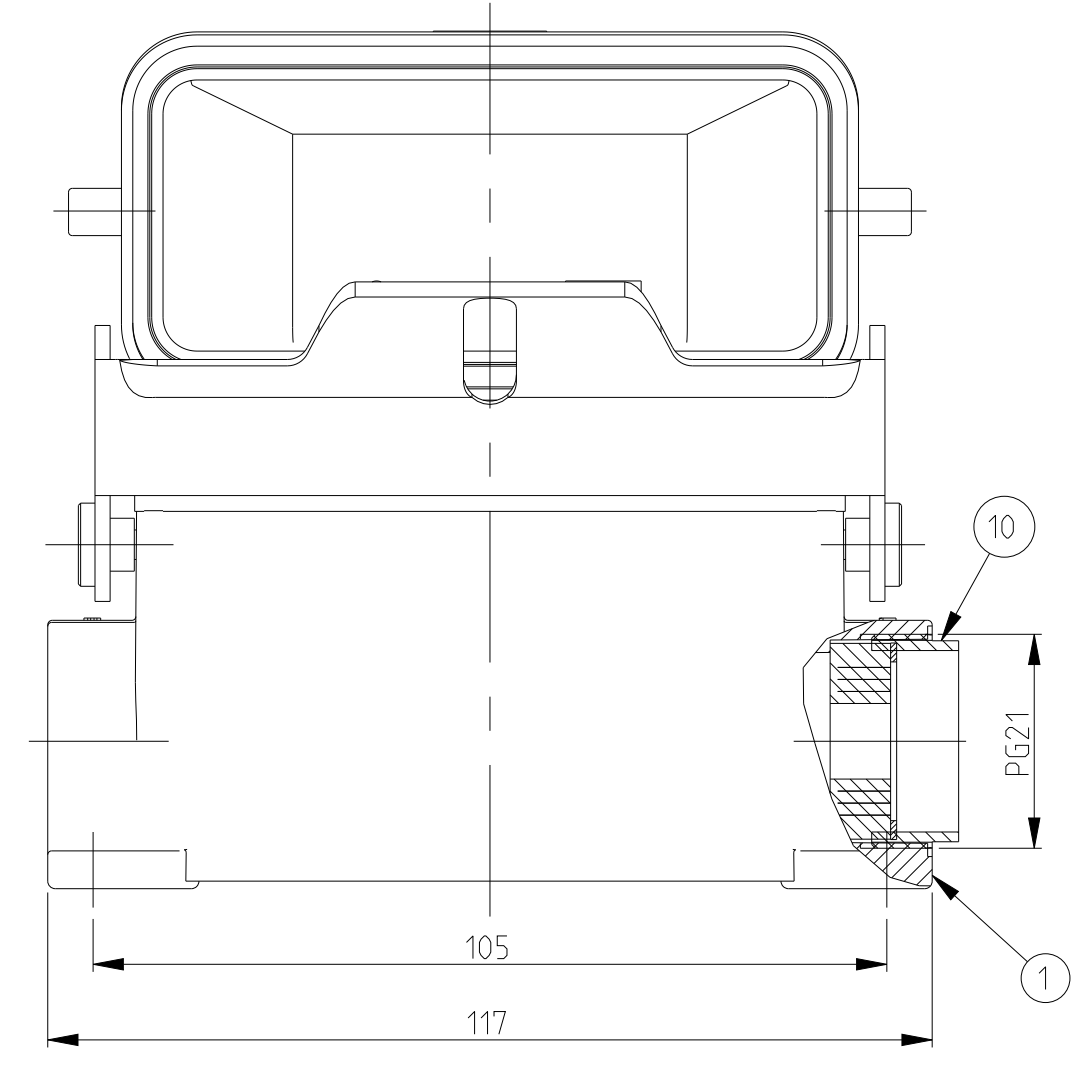
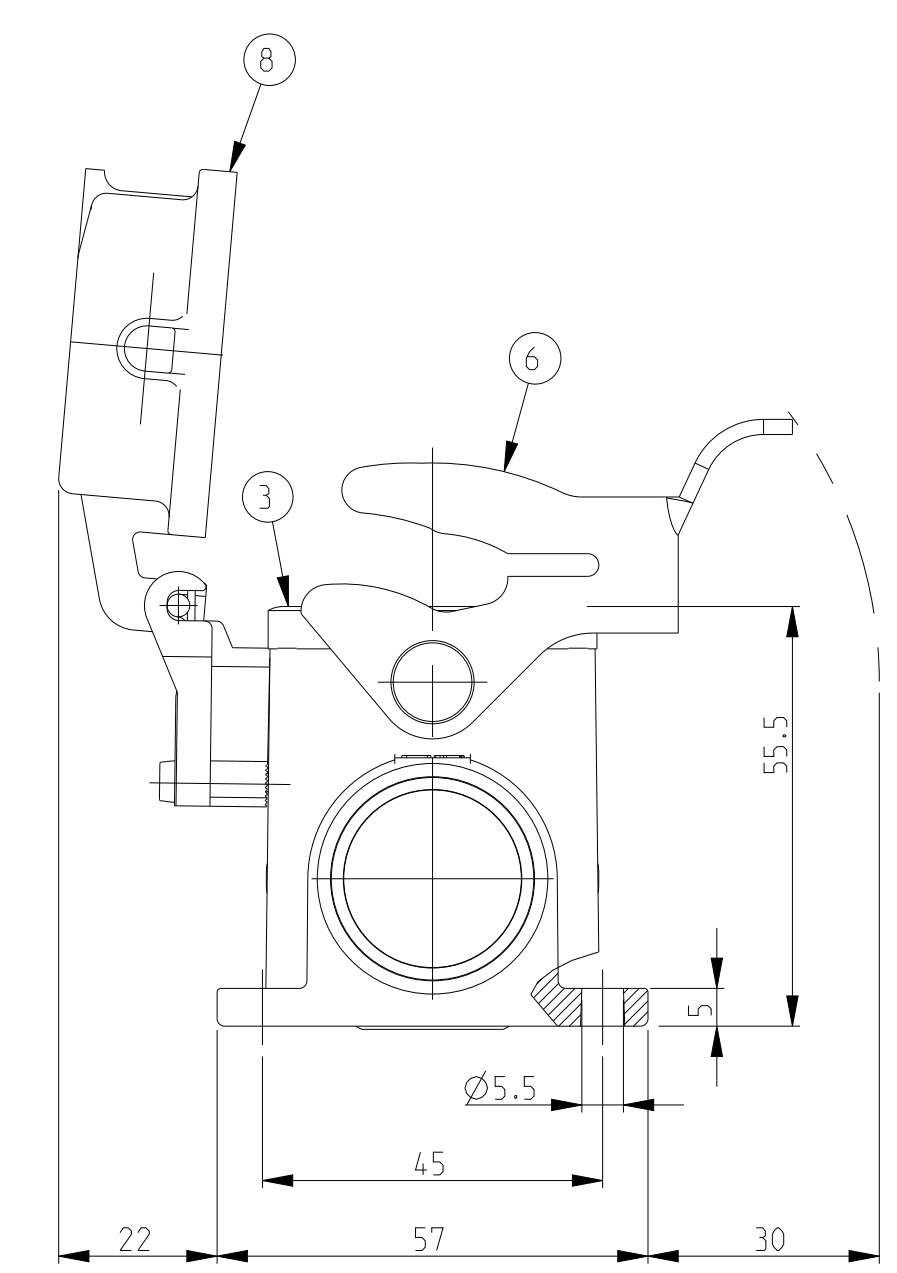
- NOTES.
- 1 Material:Housing-Aluminium Diecasting Alloy  
Seals:Neoprene
  - 2 Surface:Varnish  
-Aluminium Oxide +Varnish Black  
-Grey
  - 3 Varnish on the inside not necessary
  - 4 Packaging  
Quantity 5 Pieces in a box



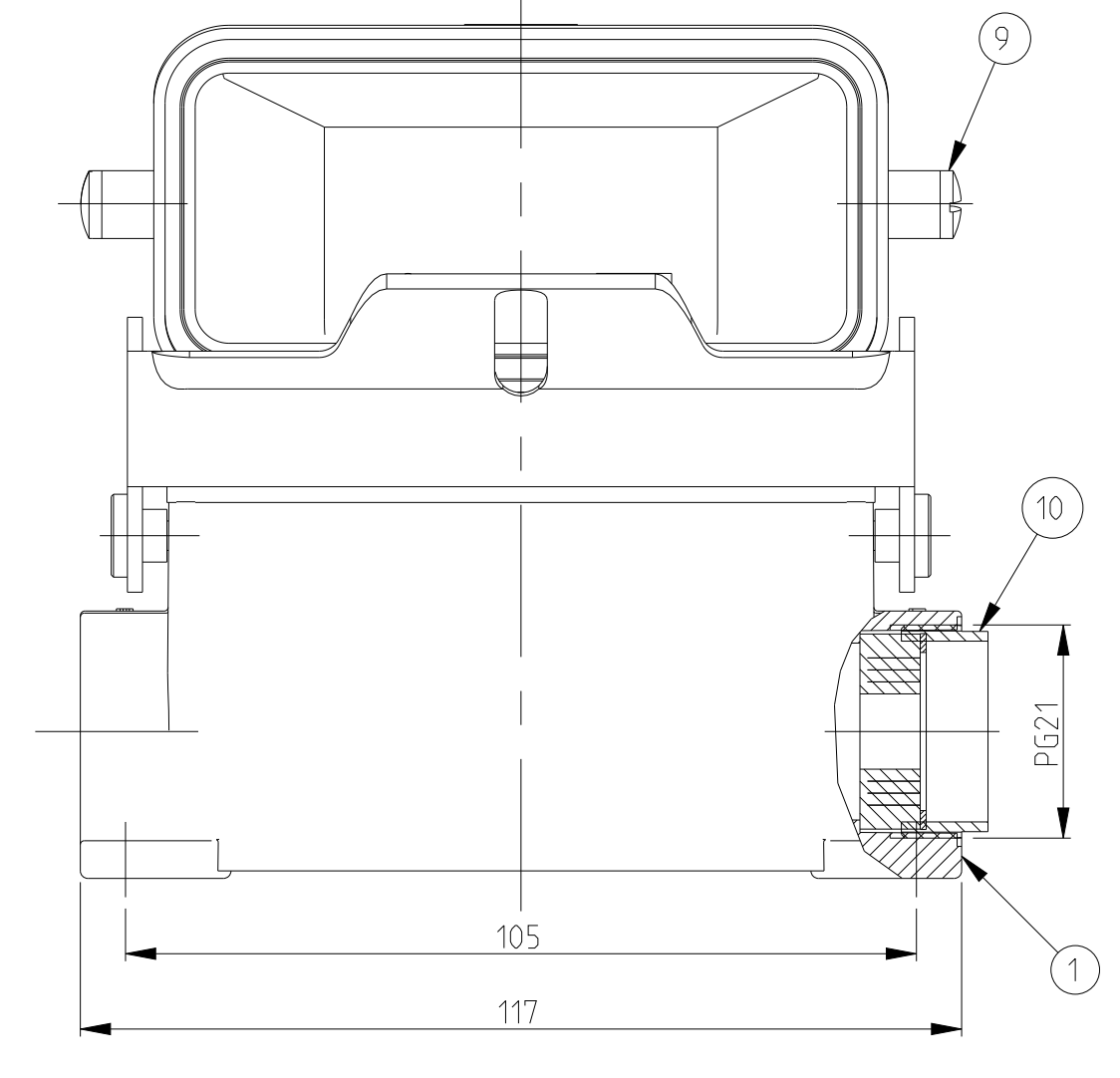
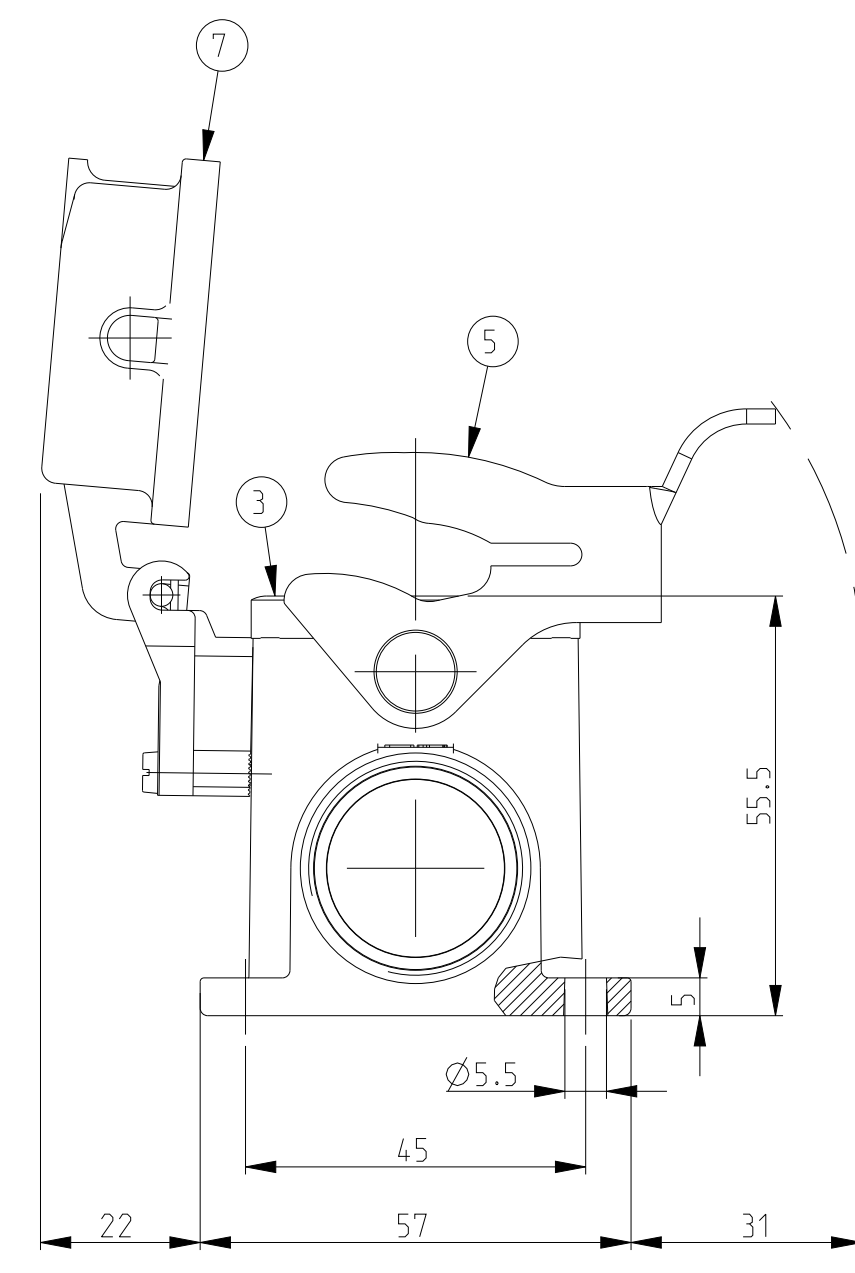
PN 4-6 OBSOLETE



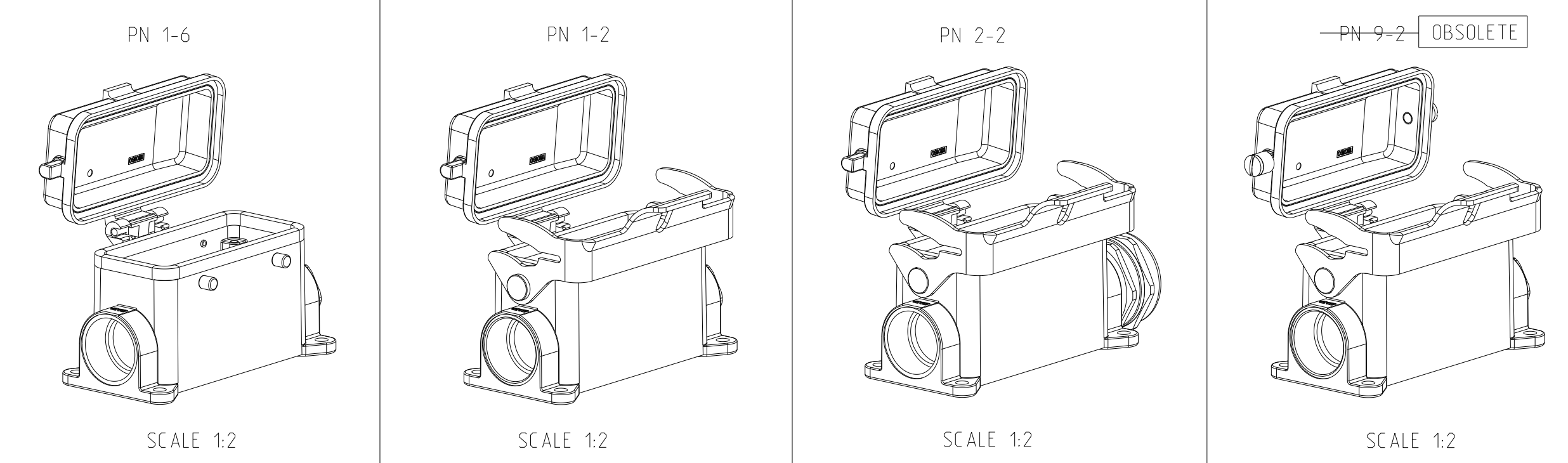
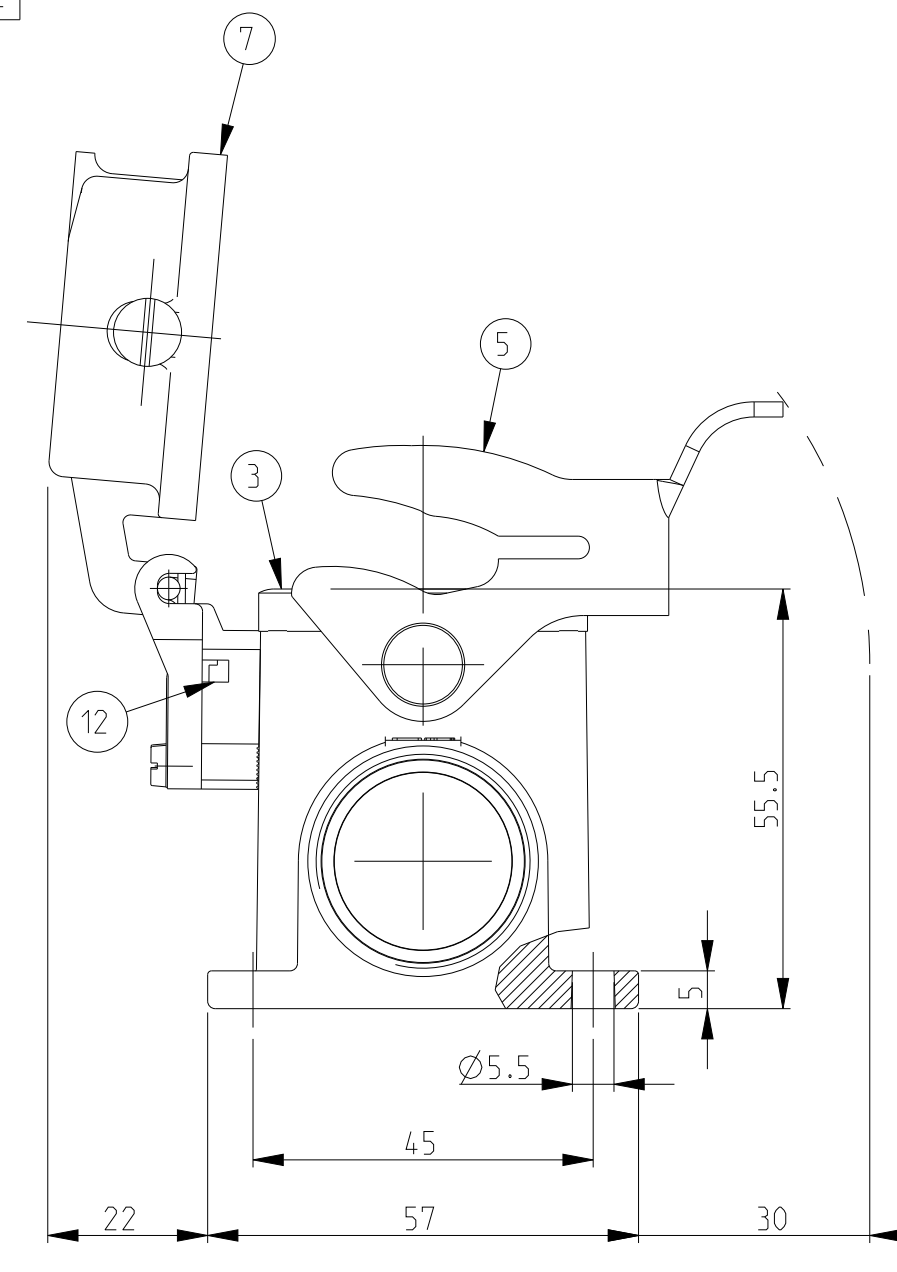
PN 2-2



PN 1-2



PN 9-2 OBSOLETE



QTY	DESCRIPTION	MATERIAL	SURFACE	COLOR	ITEM NO	REMARKS
1	Screw, Slotted Cheese Head	Steel	Zinc plated	Blue	12	M3x8
1	Gland Fitting round	Brass	Nickel plated	Blue	11	PG21
1	Cable fitting round	Brass	Nickel plated	Blue	10	PG21
2	LB-Clip Bolt	Steel	Zinc plated	Blue	9	
1	Cover finished product HB-K	Aluminium	Aluminium oxide	Black RAL 9005	8	
1	Cover finished product HB	Aluminium		Grey RAL 7001	7	
1	LB-Side Clip	Stainless steel	Blank	Grey RAL 7001	6	
1	LB-Side Clip	Steel	Zinc plated	Blue	5	
1	VS-Clip bolt	Steel	Zinc plated	Blue	4	
1	Profile seal	Neoprene		Black	3	
1	Surface mounted housing side entry HB-K	Aluminium	Aluminium oxide	Black RAL 9005	2	
1	Surface mounted housing side entry HB	Aluminium		Grey RAL 7001	1	

ORDERING TEXT  
 HB-16-SGD-1B.1.21  
 HB-16-SGD-1B.1.21  
 HB-K-16-SGD-1B.1.21  
 HB-16-SGD-1B.1.21

THIS DRAWING IS A CONTROLLED DOCUMENT. DATE: 20.07.1999  
 DIMENSIONS: DATE: 20.07.1999

TE Connectivity

PRODUCT SPEC: Surface mounted housing side entry  
 HB.16.SGD.1.21

SCALE: 1:1 SHEET: 1 OF 1 REV: A6