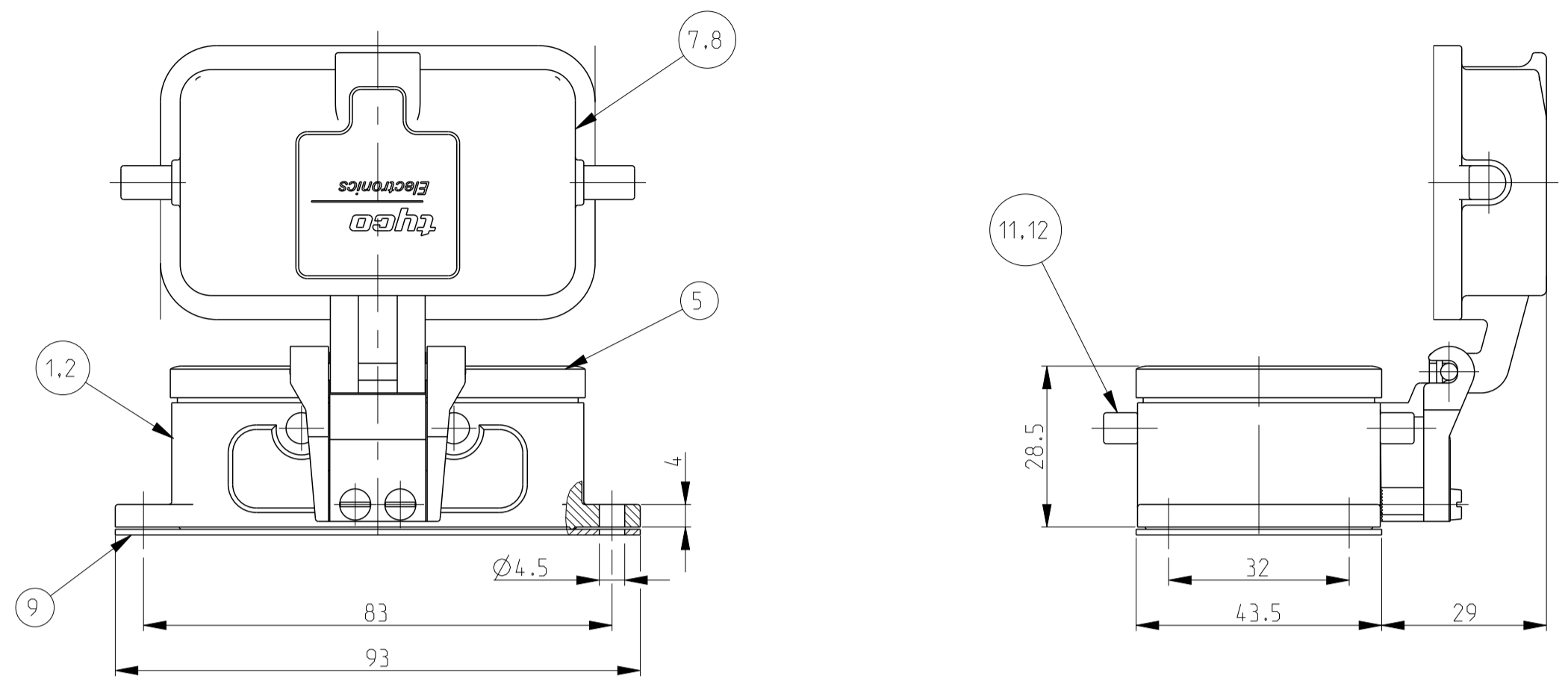
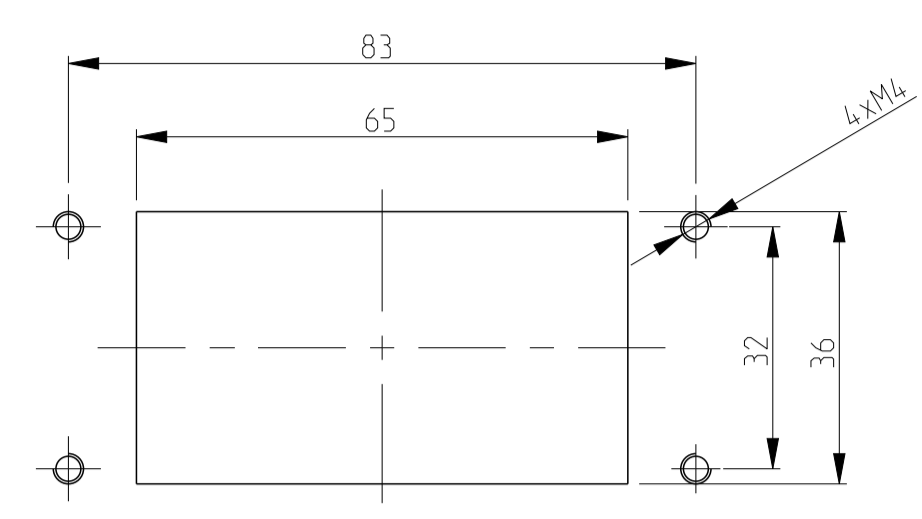


PN 1-6, 2-6 & 0-3



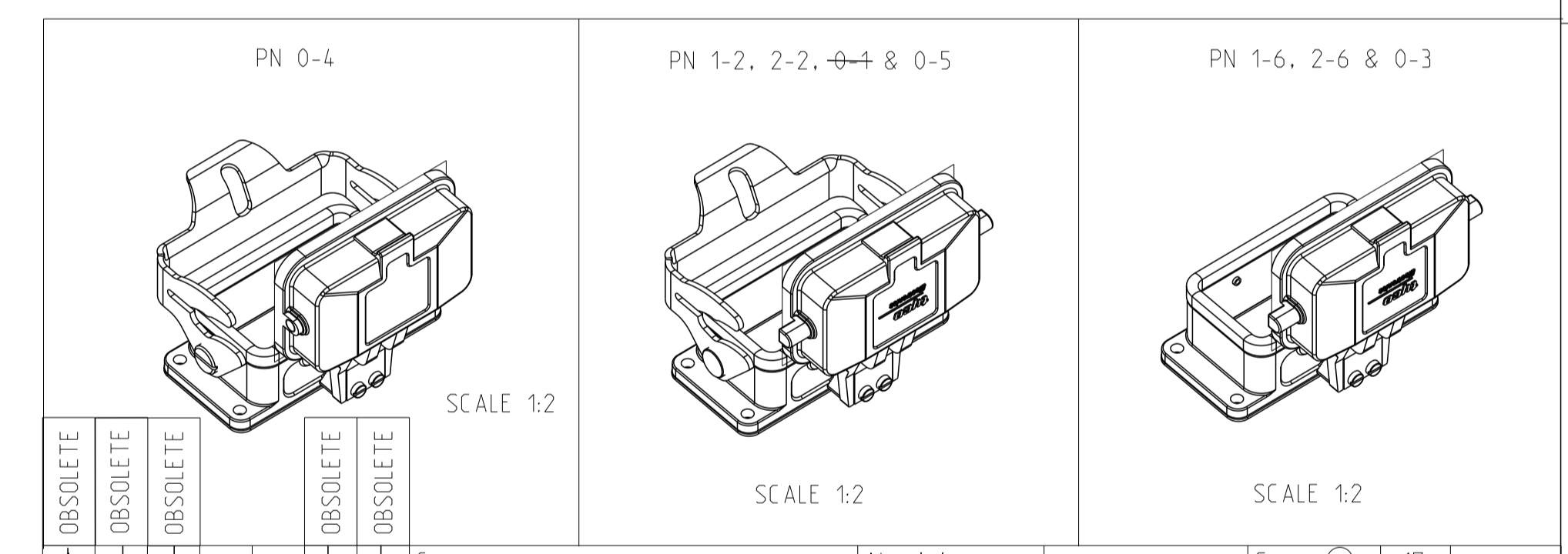
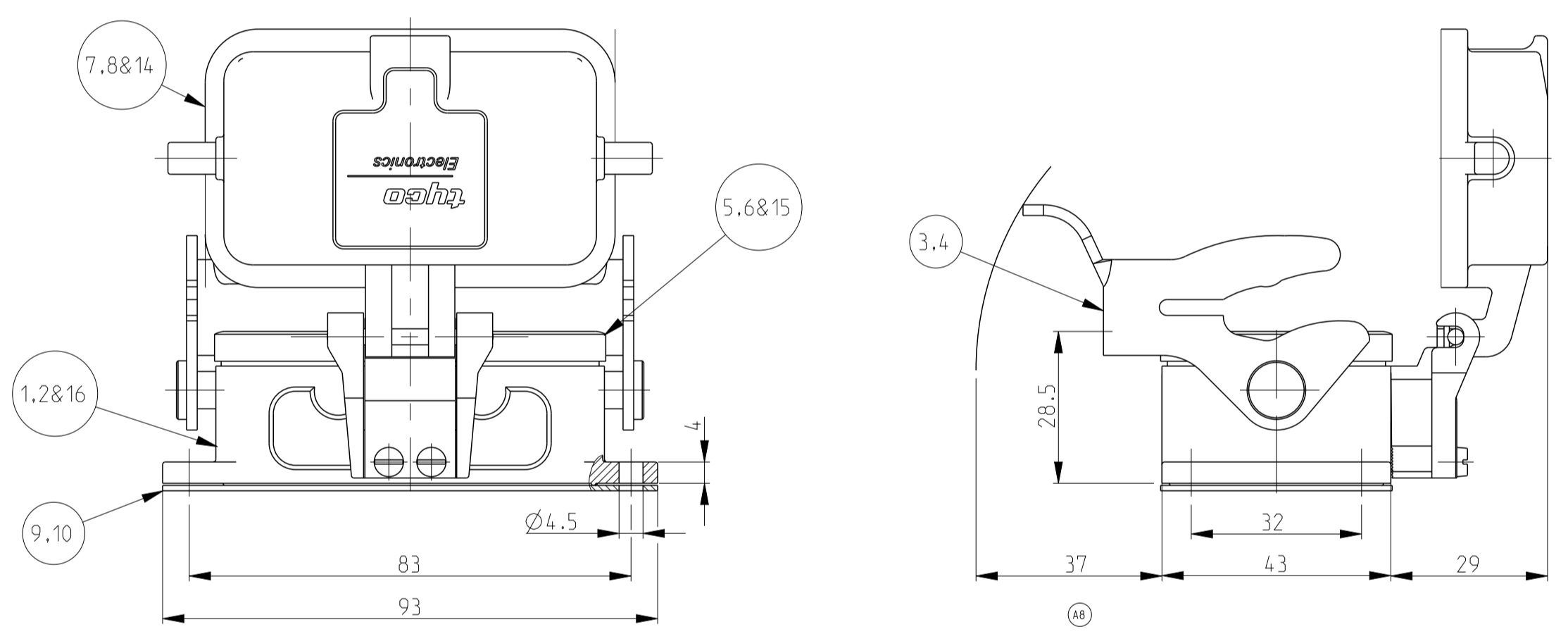
PANEL-CUT OUT



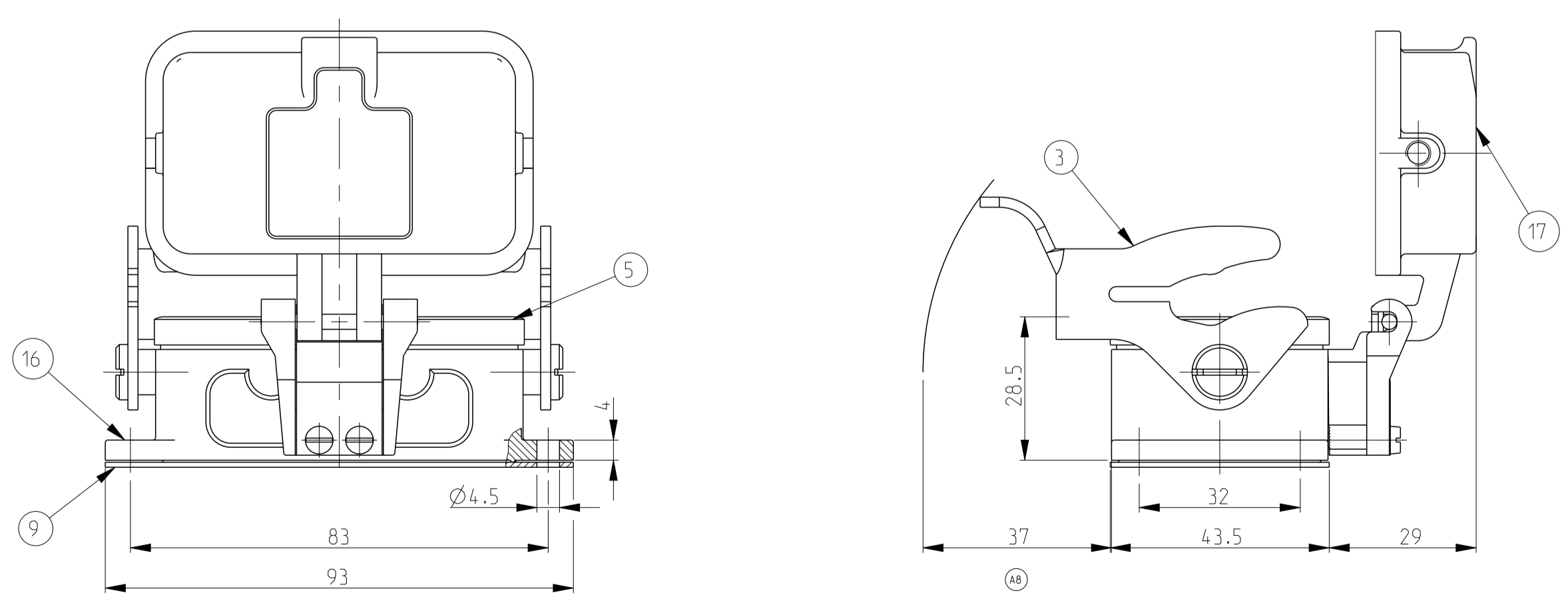
- NOTES
- Material : Housing : Aluminium diecasting alloy
 - Surface: Varnisch-Black
 -Aluminium oxide-Varnisch black
 -Chromital TCP-Passivation
 -Grey
 - Varnisch on the inside not necessary
 - Packaging
 Quantify 5 pieces in a box

REVISIONS				
P	LTN	DESCRIPTION	DATE	APVD
A10	ECR-16-016768		15NOV2017	GR MKO
A11	ECR-17-013084		29MAR2018	SG MKO
A12	ECR-21-123293		23FEB2022	RK JB
A13	REVISED PER ECR-24-201358		18APR2024	RK WR

PN 1-2, 2-2 .0-1 & 0-5



PN 0-4



QTY	DESCRIPTION	MATERIAL	SURFACE	COLOR	ITEM NO	NOTES						
1	Cover	Aluminium		Grey (4)	17							
1	Surface mounted housing bottom entry HB	Aluminium		Grey (4)	16							
1	Profile seal	Neoprene		Black	15	Conductive						
1	Cover	Aluminium	SEE NOTE	Black	14							
1	Surface mounted housing bottom entry HB-EMV	Aluminium	SEE NOTE	Black	13							
4	Clip bolt	Stainless steel		Blank	12							
4	Clip bolt	Steel	Zinc plated	Blue	11							
1	Flange seal	Viton		Black	10							
1	Flange seal	Neoprene		Black	9							
1	Cover	Aluminium	Aluminium oxide	Black	8							
1	Cover	Aluminium		Grey	7							
1	Profile seal	Viton		Grey	6							
1	Profile seal	Neoprene		Black	5							
1	LB-Side clip	Stainless steel		Blank	4							
1	LB-Side clip	Steel	Zinc plated	Blue	3							
1	Surface mounted housing bottom entry HB-K	Aluminium	Aluminium Oxide	Black	2							
1	Surface mounted housing bottom entry HB	Aluminium		Grey	1							
0-5	0-4	0-1	2-6	1-6	2-2	1-2	DESCRIPTION	MATERIAL	SURFACE	COLOR	ITEM NO	NOTES
HB-10-AGD-LB	HB-EMV-10-AGD-LB	HB-K-10-AGD-LB-V	HB-K-10-AGD	HB-K-10-AGD-LB	HB-10-AGD	HB-10-AGD-LB	ORDERING TEXT					

THIS DRAWING IS A CONTROLLED DOCUMENT. DWG: Schneider 18.05.2000
 CHK: Schweiger 18.05.2000

TE Connectivity

NAME: Surface mounted housing bottom entry HB.10.AGD

PRODUCT SPEC: A1 00779 C=1102283

SCALE: 1:1 SHEET 1 OF 1 REV: A13