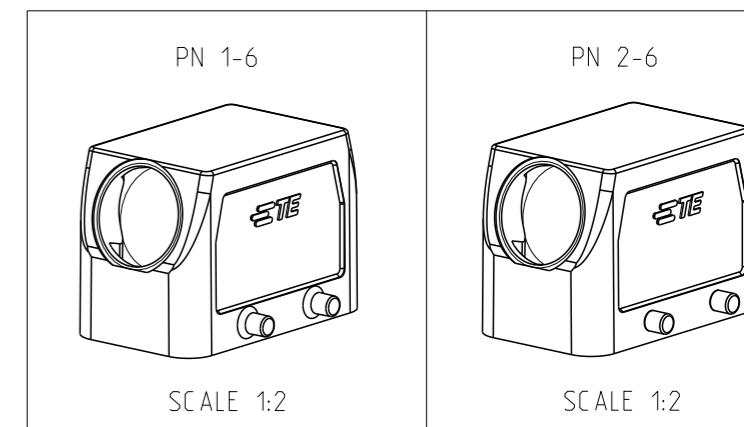


REVISIONS

P	LTR	DESCRIPTION	DATE	DWN	APVD
	A4	Released as per ECR-07-030422	17.12.07	SP	TS
	A5	REVISED PER ECR-16-016768	19AUG2017	AP	MKO

NOTES.

- 1 Material:Housing:Aluminium Diecasting Alloy
- 2 Surface-Powder Varnish Grey
-Aluminium Oxide +
Varnish Black
- 3 Varnish on the inside not necessary
- 4 Packaging
Quantity 5 Pieces in a box



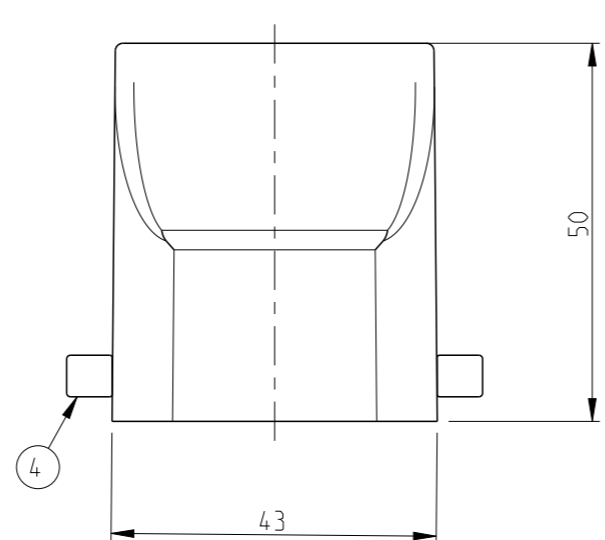
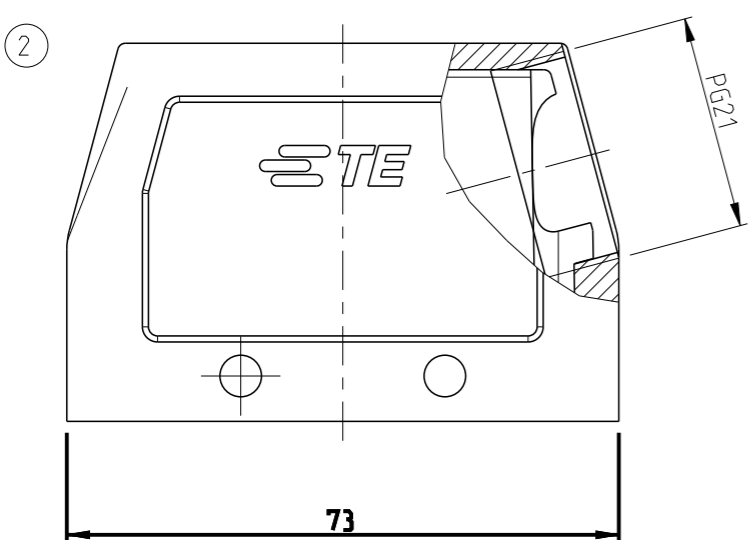
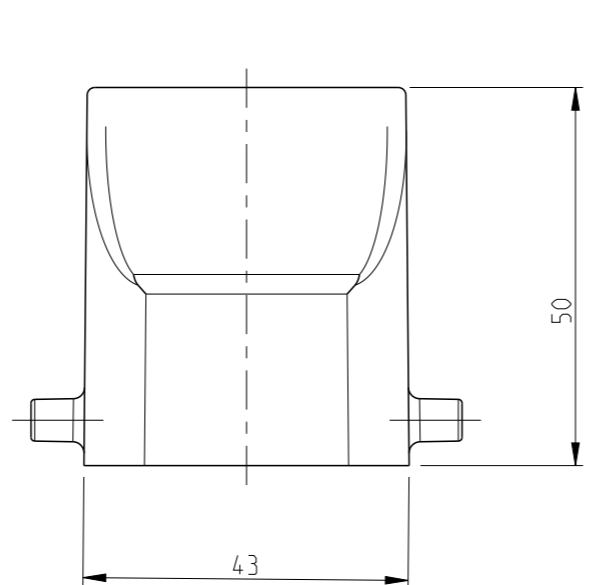
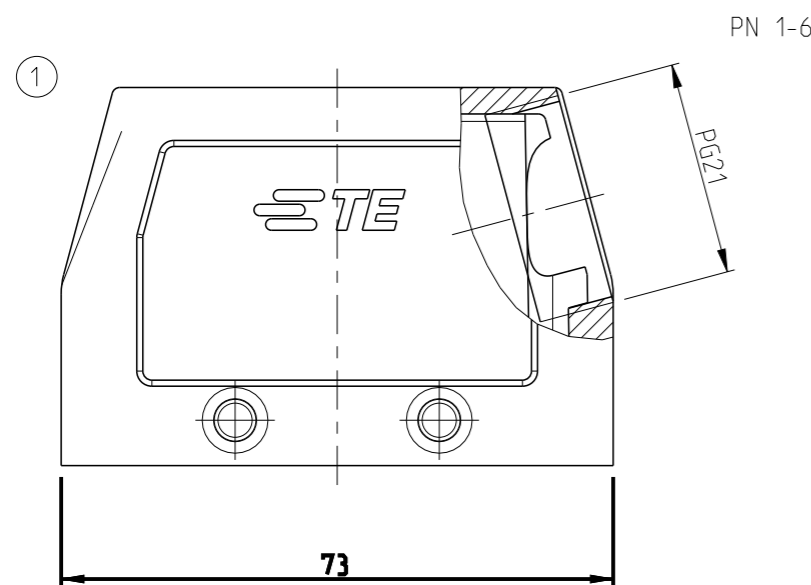
OBSOLETE

QTY	DESCRIPTION	MATERIAL	SURFACE	COLOR	ITEM NO	REMARKS
4	VS-Clip bolt	Stainless steel	-	-	3	
1	Hood HB.10.PG.1.21	Aluminium	Aluminium oxide	Black	2	
1	Hood HB.10.PG.1.21	Aluminium	-	Grey	1	

ORDERING TEXT

HB.10.STS.1.21.G

HB-K.10.STS.1.21.G



THIS DRAWING IS A CONTROLLED DOCUMENT.

DIMENSIONS: mm		TOLERANCES UNLESS OTHERWISE SPECIFIED: n. ISO 8015 n. ISO 2768-mS-E n. DIN 15901-120	
		0 PLC	±
		1 PLC	±
		2 PLC	±
		3 PLC	±
		4 PLC	±
		ANGLES	±
MATERIAL		FINISH	
-		-	

DWN	Kramer	11.05.98
CHK	Braun	10.11.98
APVD	-	-
PRODUCT SPEC	108-74003	
APPLICATION SPEC	114-74001	
WEIGHT	-	
CUSTOMER DRAWING		

		TE Connectivity	
		NAME Hood HB.10.STS.1.21.G	
SIZE	CAGE CODE	DRAWING NO	RESTRICTED TO
A3	00779	©=1102264	
SCALE 1:1		SHEET 1 OF 1	REV A5