

THIS DRAWING IS UNPUBLISHED.

RELEASED FOR PUBLICATION

1997

© COPYRIGHT 1997 BY -

ALL RIGHTS RESERVED.

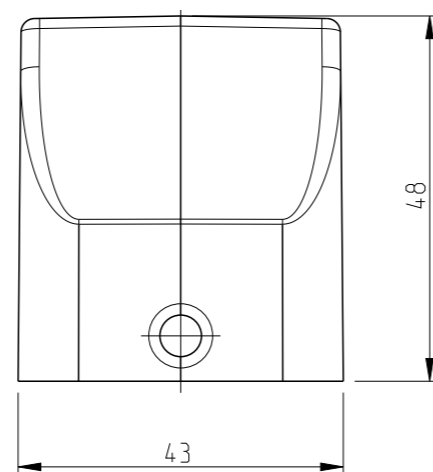
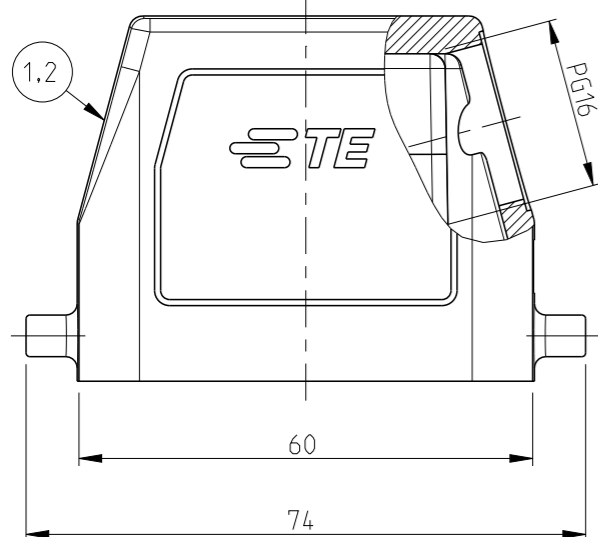
REVISIONS

P	LTR	DESCRIPTION	DATE	DWN	APVD
A6		Released as per ECR-08-005944	06.Mar.2008	SP	TS
A7		ECR-16-015318	16AUG2017	GR	MKO
A8		REVISED PER ECR-17-013084	11JAN2018	SRG	MKO
A9		REVISED PER ECR-24-207624	29MAY2024	RK	WR

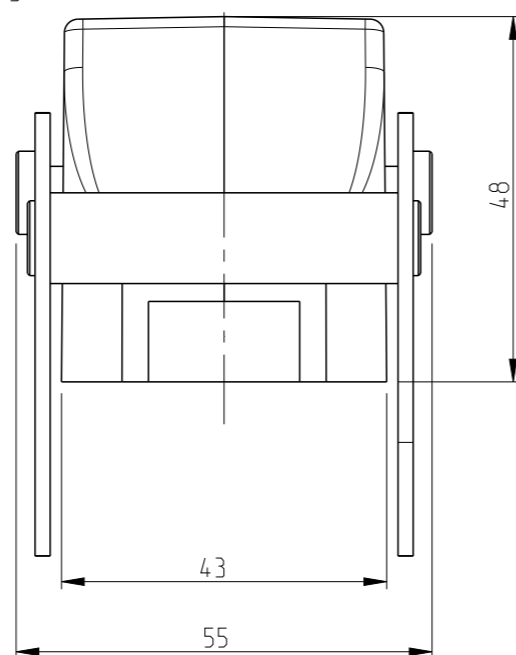
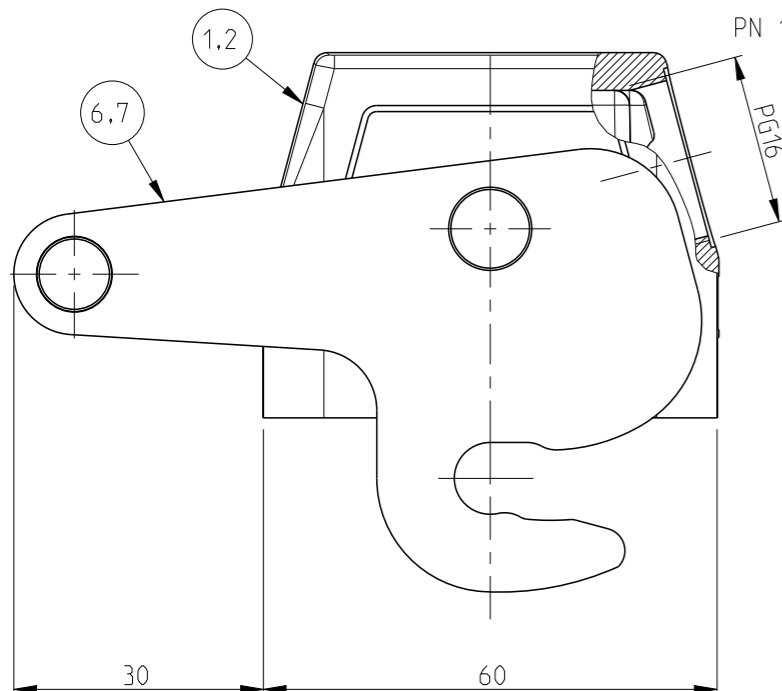
Notes

- 1 Material: Housing: Aluminium diecasting alloy
- 2 Surface:- Varnish-grey/White
-Aluminium oxide+Varnish black
- 3 Varnish on the inside not necessary
- 4 Packaging
Packaging quantity: 5 pieces in a box

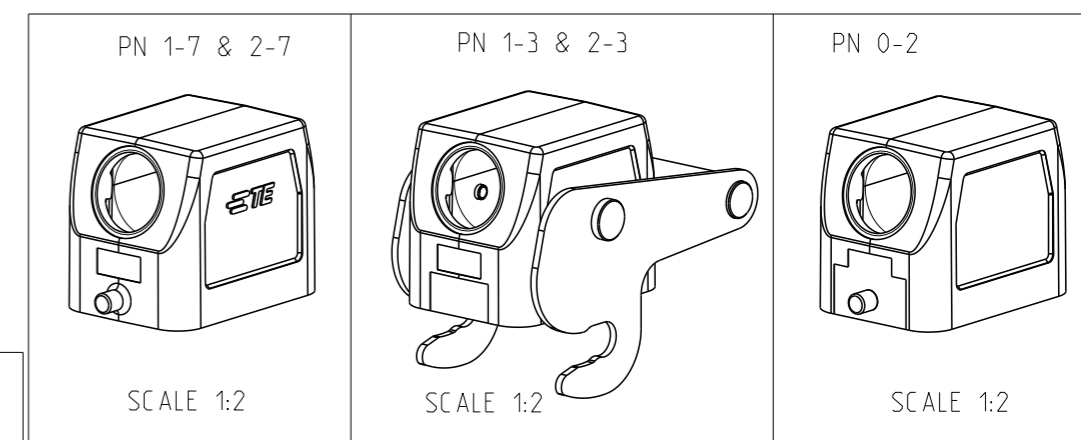
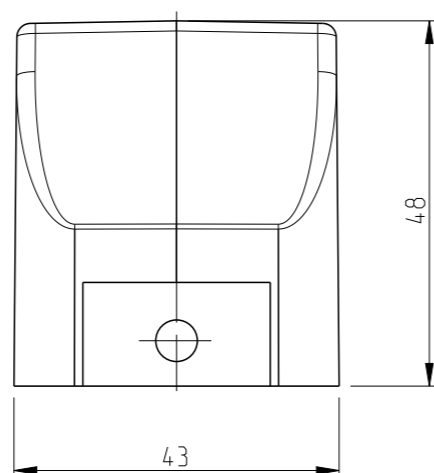
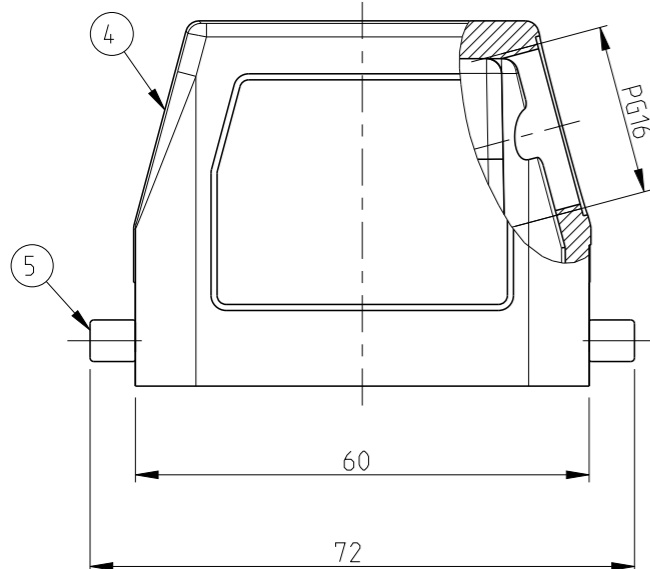
PN 1-7 & 2-7



PN 1-3 & 2-3



PN 0-2



OBsolete	OBsolete	OBsolete	OBsolete	OBsolete	OBsolete	OBsolete	OBsolete	OBsolete	OBsolete	OBsolete
-	1	1	1	1	1	1	1	1	1	1
-	-	-	-	-	-	-	-	-	-	-
2	-	-	-	-	-	-	-	-	-	-
1	-	-	-	-	-	-	-	-	-	-
-	1	-	-	-	-	-	-	-	-	-
-	-	1	-	1	-	-	-	-	-	-
-	-	-	1	-	1	-	-	-	-	-
0-2	0-1	2-3	1-3	2-7	1-7	DESCRIPTION	MATERIAL	SURFACE	COLOR	ITEM NO

-	-	Central clip-ZB	Stainless steel	Blank	-	7	
-	-	Central clip-ZB	Steel	Zinc plated	Blue	6	
2	-	LB-Clip bolt	Stainless steel	Blank	-	5	
1	-	Hood HB	Aluminium	-	White	4	Without bolt
-	1	Hood HB	Aluminium	-	Grey	3	Also 2xM3 for identification plate
-	-	Hood HB-K	Aluminium	Aluminium oxide	Black	2	
-	-	Hood HB	Aluminium	-	Grey	1	

ORDERING TEXT

- HB.6.STS.1.16.G
- HB-K.6.STS.1.16.G
- HB-Z.6.STS-ZB.1.16.G
- HB-K/Z.6.STS-ZB.1.16.G
- HB.6.STS.1.16.G.S0
- HB.6.STS.1.16.G

THIS DRAWING IS A CONTROLLED DOCUMENT.

DWN Schneider 25.05.1999	CHK Schweiger 25.05.1999	APVD
DIMENSIONS: mm		
TOLERANCES UNLESS OTHERWISE SPECIFIED: n-ISO 8015 n-ISO 2768-mS-E n-DIN 16901-120		
0 PLC	±	
1 PLC	±	
2 PLC	±	
3 PLC	±	
4 PLC	±	
ANGLES	±	
MATERIAL		
FINISH		

PRODUCT SPEC 108-74001/74003	APPLICATION SPEC 114-74001/74004/74005	WEIGHT
CUSTOMER DRAWING		

STC TE Connectivity

NAME
Hood
HB.6.STS.1.16.G

SIZE A3	CAGE CODE 00779	DRAWING NO C=1102240	RESTRICTED TO
------------	--------------------	-------------------------	---------------

SCALE 1:1 SHEET 1 OF 1 REV A9