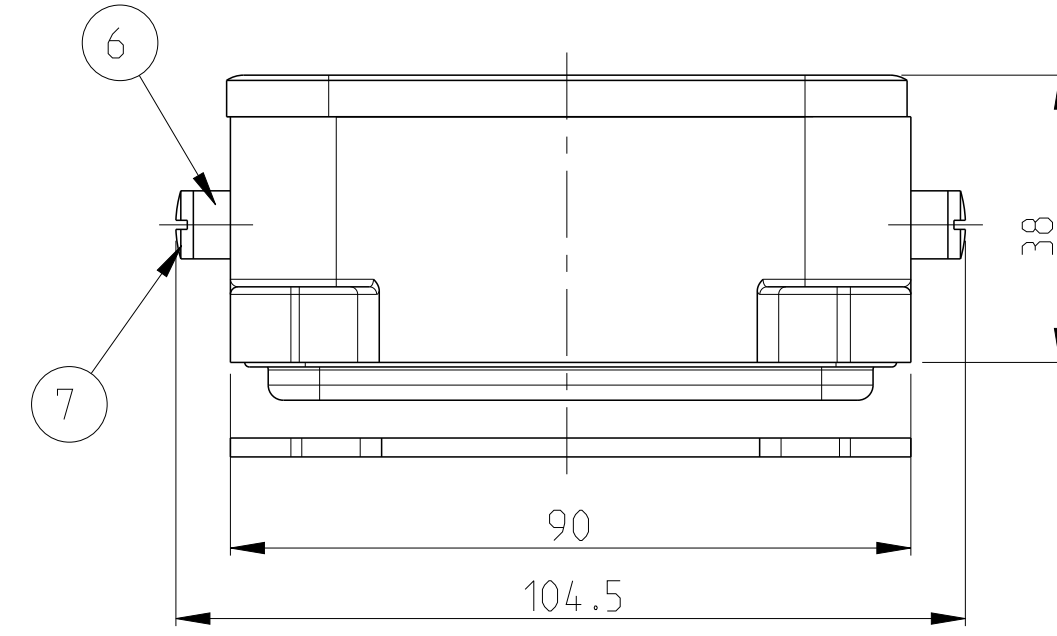
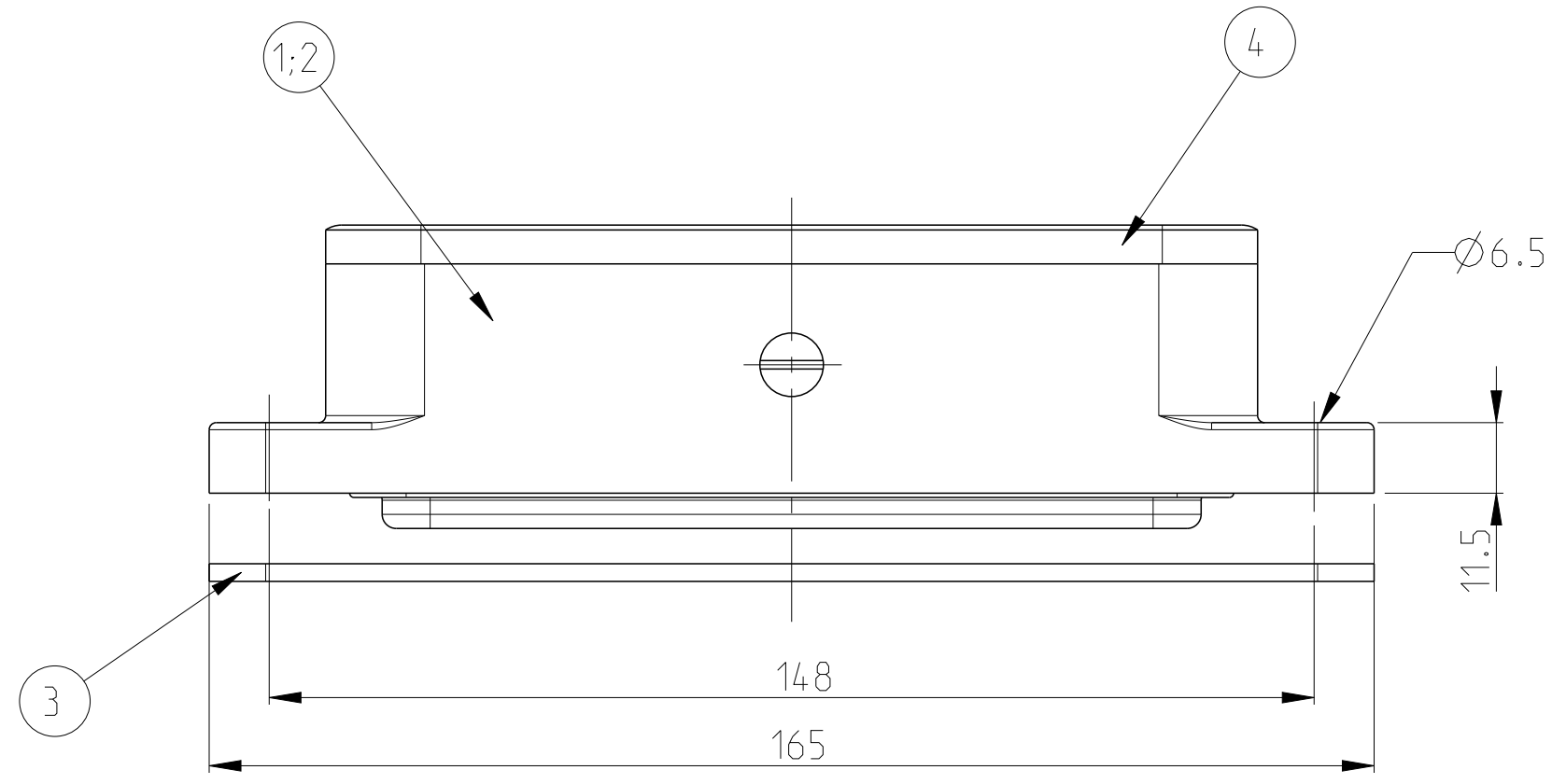
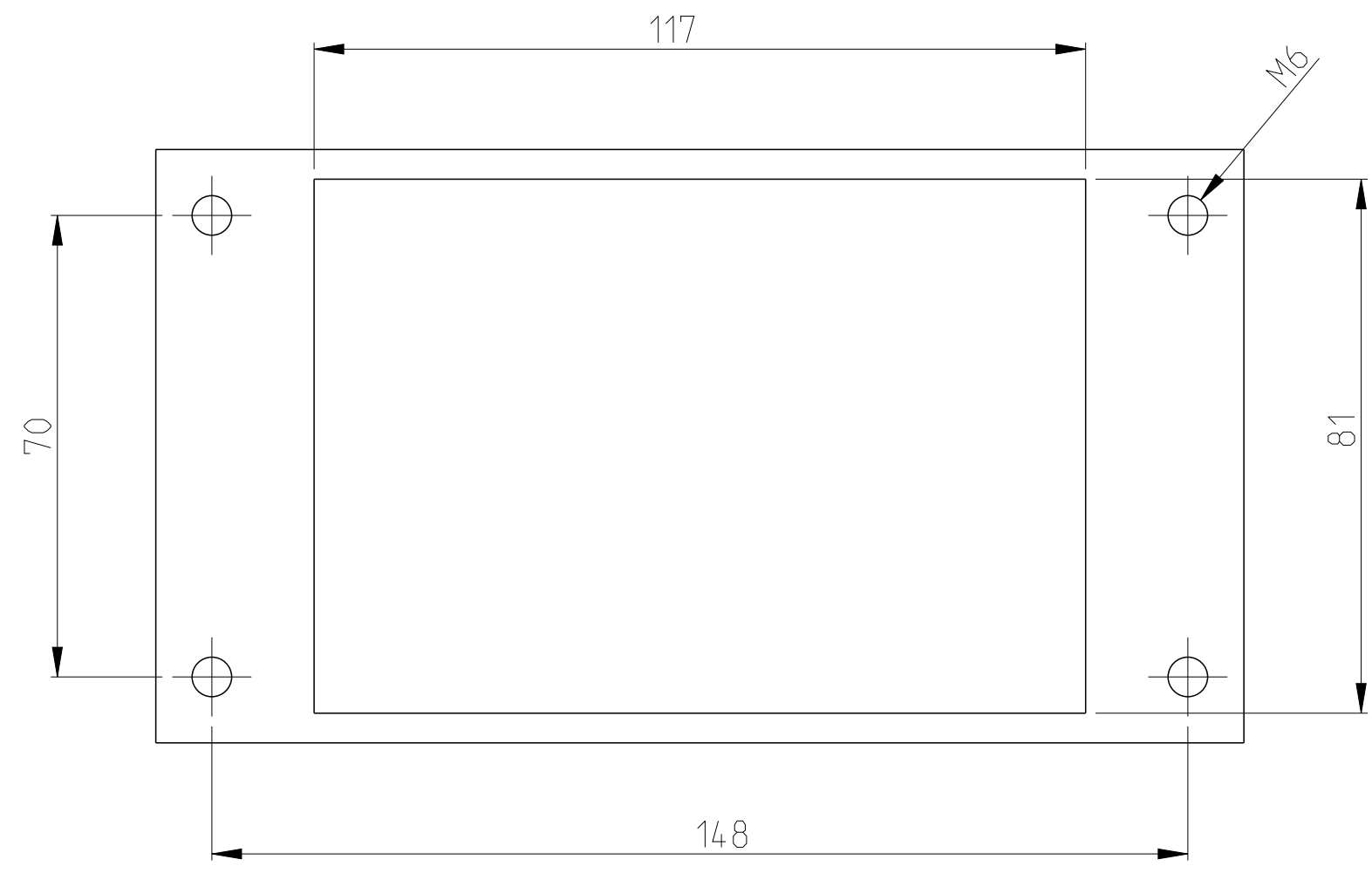


THIS DRAWING IS UNPUBLISHED. RELEASED FOR PUBLICATION 2006
 © COPYRIGHT 2006 BY - ALL RIGHTS RESERVED.

REVISIONS					
P	LTR	DESCRIPTION	DATE	DWN	APVD
A2		new Pro/E drawing ECR-07-019263	13AUG2007	SR	ST
A3		REVISED PER ECR-17-013084	05JAN2018	NC	MKO



PANEL CUT-OUT



NOTES

- 1 PART SHALL BE FREE AND CLEAN OF BURRS AND OTHER FOREIGN MATERIAL
- 2 PACKAGING: QUANTITY 3 PIECES
- 3 VARNISHING INSIDE HOUSING NOT REQUIRED

QTY	DESCRIPTION	MATERIAL	SURFACE	COLOR	ITEM	
2	SLIDE SPOOL	V2A	BLANK	-	8	
- 2	SLIDE SPOOL	STEEL	ZINK PLATED	BLUE	7	
2	SIDE CLIP	V2A	BLANK	-	6	
- 2	SIDE CLIP	STEEL	ZINK PLATED	BLUE	5	
1	FLANGED SEAL	NEOPRENE	-	BLACK	4	
1	PROFIL SEAL	NEOPRENE	-	BLACK	3	
1	SUR. MOUNT. HOUS. BOTTOM ENTRY	ALUMINIUM/ALU	ALUMINIUM OXID	BLACK	2	
- 1	SUR. MOUNT. HOUS. BOTTOM ENTRY	ALUMINIUM/ALU	-	GREY	1	
2-8	1-8	DESCRIPTION	MATERIAL	SURFACE	COLOR	ITEM
HB-Z.48.AG-ZW GR						
HB-K/Z.48.AG-ZW GR						

THIS DRAWING IS A CONTROLLED DOCUMENT. DWN R. SCHNEIDER 13AUG2007
 CHK SCHNURPFEL 13AUG2007

STE TE Connectivity

NAME SURFACE MOUNTED HOUSING BOTTOM ENTRY
 AG-ZVGR.HB.48

SIZE A2 CAGE CODE 00779 DRAWING NO C-1102237 RESTRICTED TO

MATERIAL material_2 FINISH finish_spec_2 WEIGHT -

CUSTOMER DRAWING SCALE 5:1 SHEET 1 OF 1 REV A3