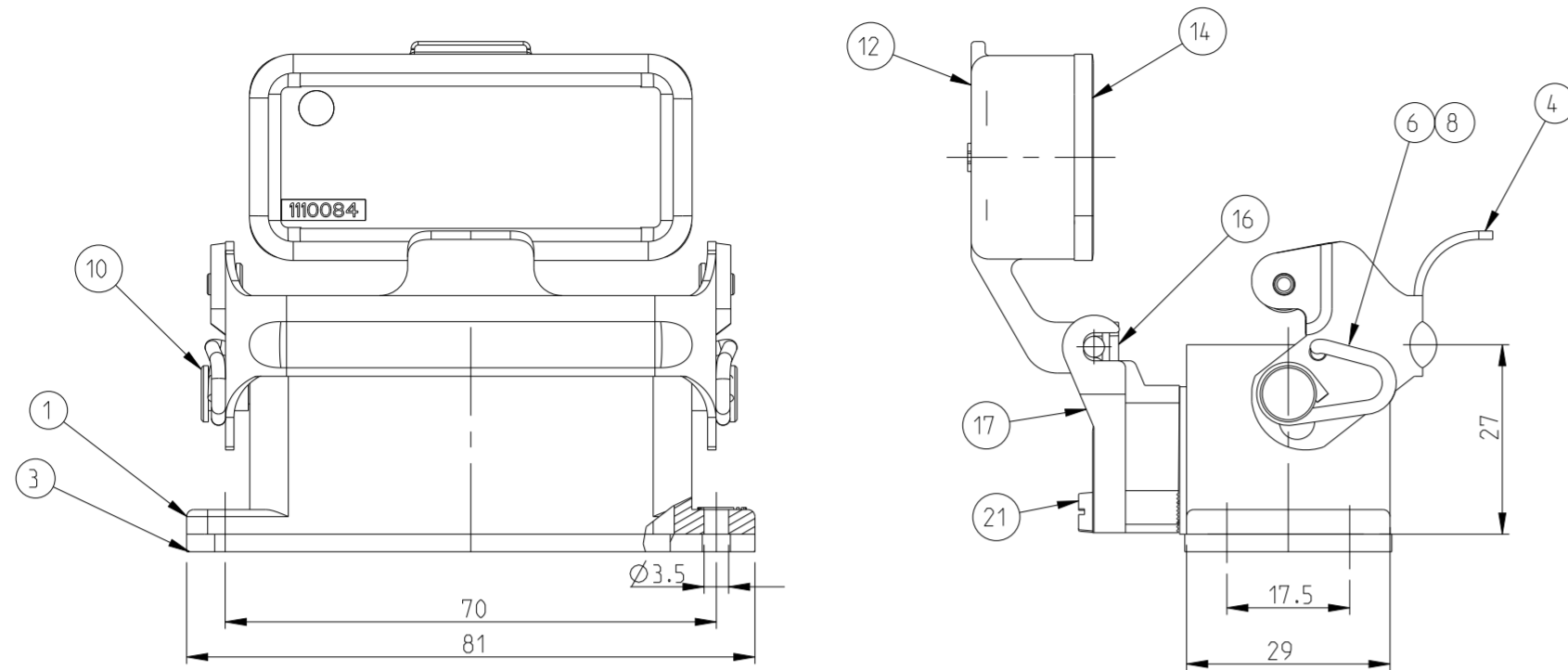
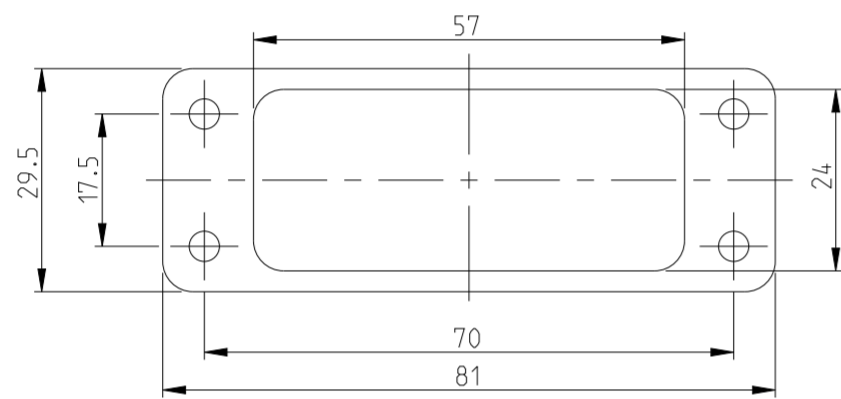


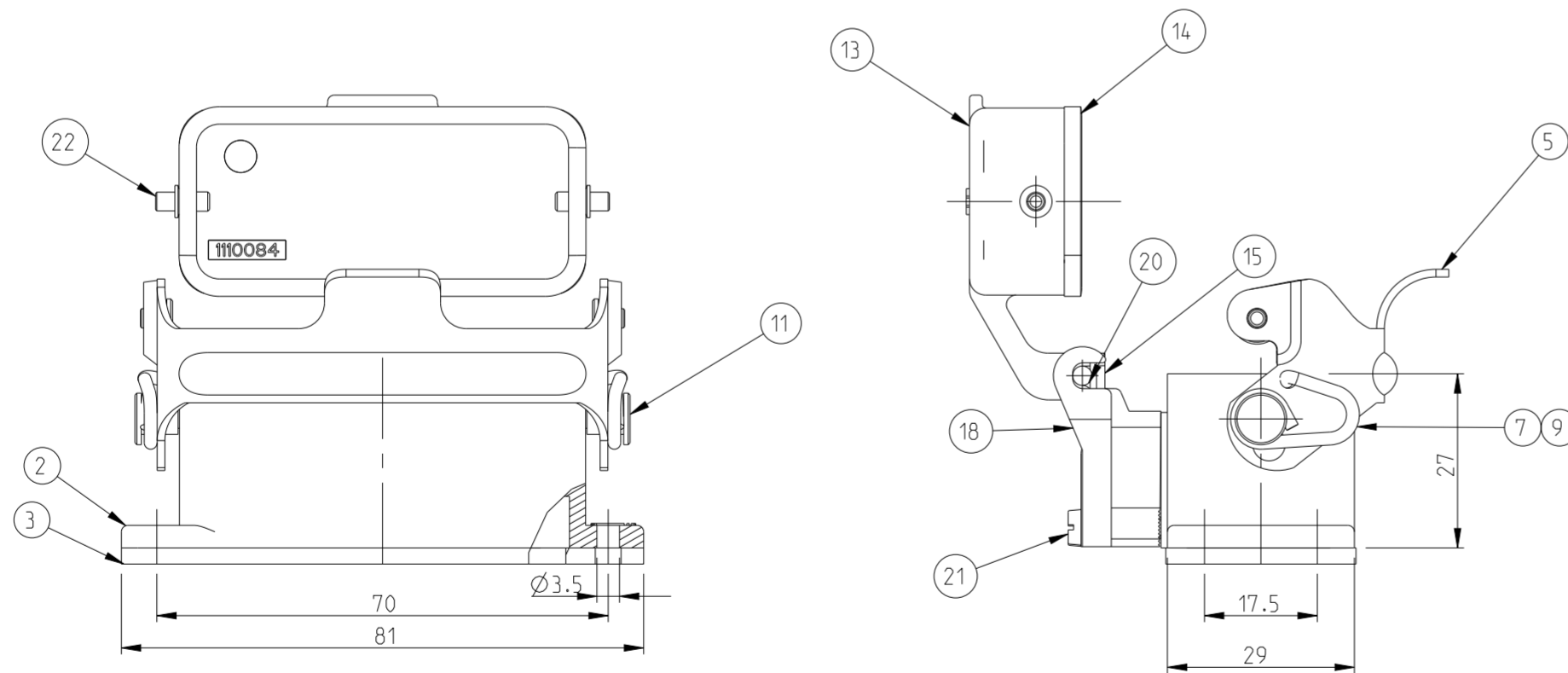
PN 1-2



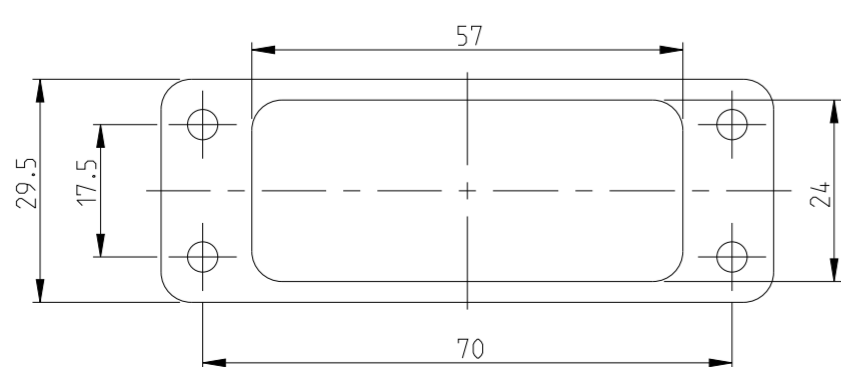
PANEL CUT-OUT



PN 2-2



PANEL CUT-OUT

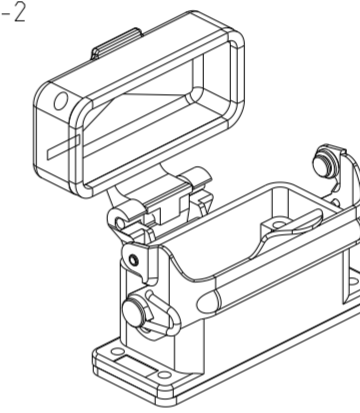


REVISIONS					
P	LTR	DESCRIPTION	DATE	DWN	APVD
A5		RELEASED AS PER ECR-09-005170	05.MAR.2009	GG	TS
A6		REVISED PER ECR-24-207461	05JUN2024	RK	WR

NOTES

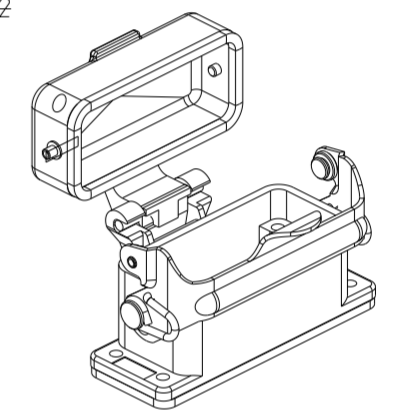
- 1 MATERIAL:HOUSING:ALUMINIUM DIECASTING ALLOY
SEALS:NEOPRENE
- 2 SURFACE:VARNISH-ALUMINIUM OXIDE+
VARNISH BLACK
-GREY
- 3 PACKAGING QUANTITY:5 PIECES PER BOX
- 4 VARNISH ON THE INSIDE NOT NECESSARILY

PN 1-2



SCALE 1:2

PN 2-2



SCALE 1:2

QTY	DESCRIPTION	MATERIAL	SURFACE	COLOR	ITEM NO	REMARKS
2	CLIP BOLT	STAINLES STEEL	BLANK	-	22	-
2	CYLINDER SCREW	STAINLES STEEL	BLANK	-	21	M3x16
1	GROOVED PINS	STAINLES STEEL	BLANK	-	20	-
1	GROOVED PINS	STEEL	ZINC PLATED	BLUE	19	-
1	HINGE	ALUMINIUM	ALUMINIUM OXIDE	BLACK	18	-
1	HINGE	ALUMINIUM	-	GREY	17	-
1	LEAF SPRING	STAINLES STEEL	BLANK	-	16	-
1	LEAF SPRING	STEEL	ZINC PLATED	BLUE	15	-
1	PROFILE SEAL	NEOPRENE	-	BLACK	14	-
1	COVER	ALUMINIUM	ALUMINIUM OXIDE	BLACK	13	-
1	COVER	ALUMINIUM	-	GREY	12	-
2	CENTRAL CLIP POSITIONER	STAINLES STEEL	BLANK	-	11	-
2	CENTRAL CLIP POSITIONER	STEEL	ZINC PLATED	BLUE	10	-
1	CLIP SPRING LEFT	STAINLES STEEL	BLANK	-	9	-
1	CLIP SPRING LEFT	STEEL	ZINC PLATED	BLUE	8	-
1	CLIP SPRING RIGHT	STAINLES STEEL	BLANK	-	7	-
1	CLIP SPRING RIGHT	STEEL	ZINC PLATED	BLUE	6	-
1	CLIP	STAINLES STEEL	BLANK	-	5	-
1	CLIP	STEEL	ZINC PLATED	BLUE	4	-
1	FLANGE SEAL	RUBBER	-	BLACK	3	-
1	SURFACE MOUNTED HOUSING BOTTOM ENTRY	ALUMINIUM	ALUMINIUM OXIDE	BLACK	2	-
1	SURFACE MOUNTED HOUSING BOTTOM ENTRY	ALUMINIUM	-	GREY	1	-
2+2	DESCRIPTION	MATERIAL	SURFACE	COLOR	ITEM NO	REMARKS
	HA.10.AGD-LB					PACKAGING
	HA-K.10.AGD-LB					PACKAGING

THIS DRAWING IS A CONTROLLED DOCUMENT.

DWN SCHNEIDER 08.03.1999
 CHK SCHWEIGER 08.03.1999
 APVD



DIMENSIONS: mm	TOLERANCES UNLESS OTHERWISE SPECIFIED: mm 0 PLC ±0.15 1 PLC ±0.2 2 PLC ±0.3 3 PLC ±0.4 4 PLC ±0.5 ANGLES ±
-------------------	---

PRODUCT SPEC 108-74009	NAME SURFACE MOUNTED HOUSING HA.10.AGD
APPLICATION SPEC 114-74004	SIZE A2
WEIGHT -	CAGE CODE 00779
CUSTOMER DRAWING	DRAWING NO C-1102122

RESTRICTED TO -	SCALE 1:1	SHEET 1 OF 1	REV A6
--------------------	--------------	-----------------	-----------