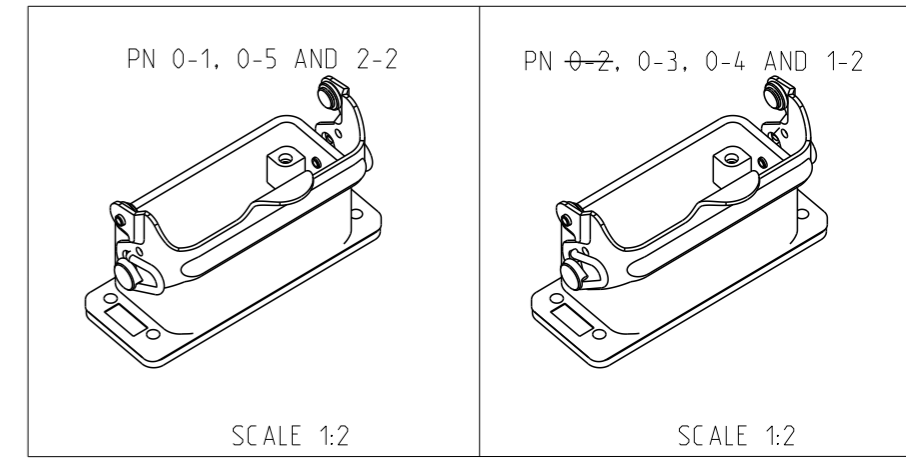
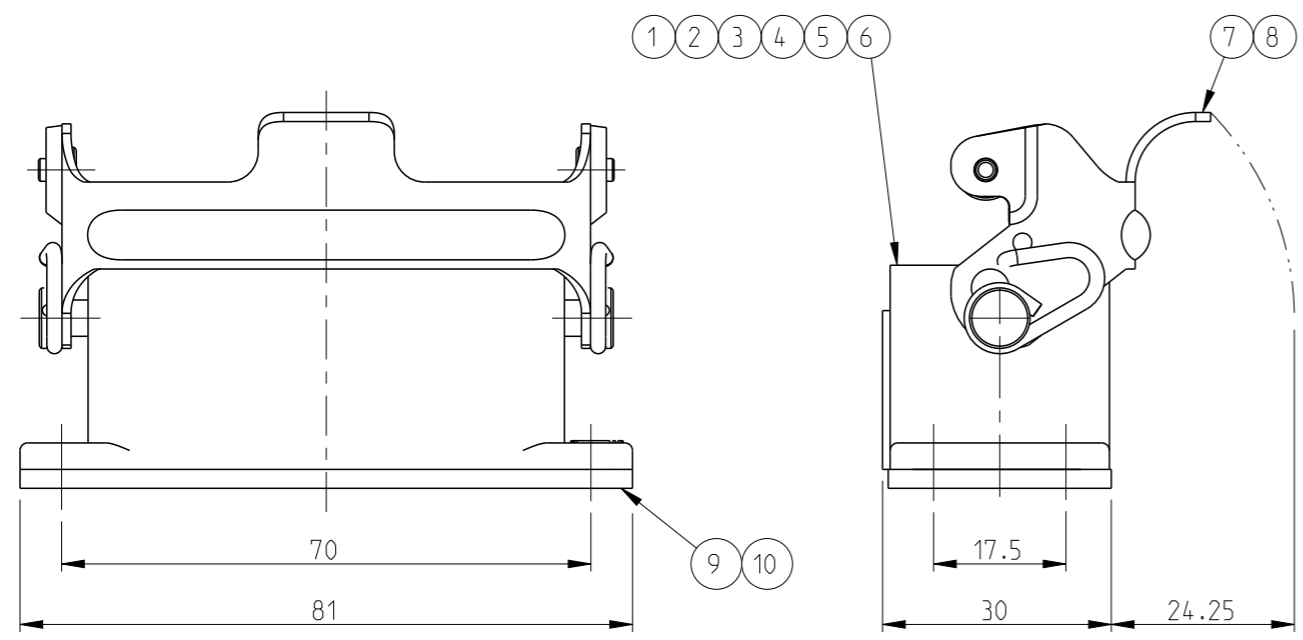


THIS DRAWING IS UNPUBLISHED. RELEASED FOR PUBLICATION 2000
 © COPYRIGHT 2000 BY - ALL RIGHTS RESERVED.

| P | LTR | DESCRIPTION | DATE | DWN | APVD |
|---|-----|-------------------------------|-----------|-----|------|
| | A7 | RELEASED AS PER ECO-09-027197 | 19JAN10 | KK | HMR |
| | A8 | ECR-16-015318 | 16AUG2017 | GR | MKO |

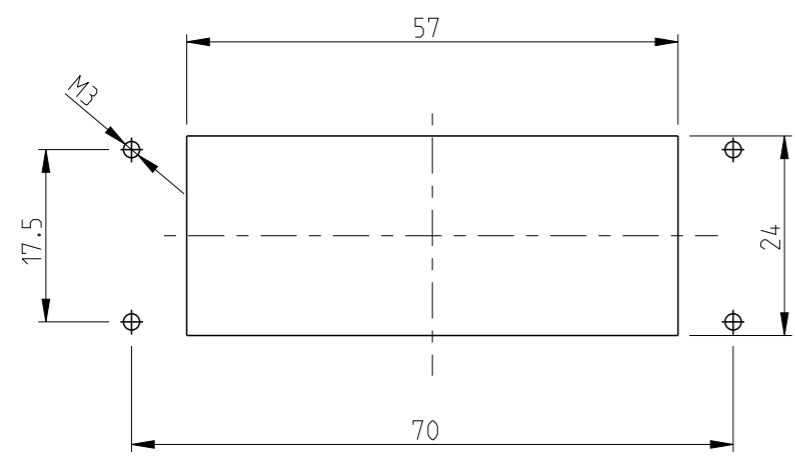
NOTES:

- 1 MATERIAL: SEE TABLE
- 2 SURFACE: SEE TABLE
- 3 VARNISH ON THE INSIDE NOT NECESSARY
- 4 Chromital TCP - PASSIVATION
- 5 OBSOLETE PARTS: OBSOLETE CIS STREAMLINING PER D.RENAUD/D.SINISI



PN 0-1 AS SHOWN

PANEL-CUTOUT



| QTY | DESCRIPTION | MATERIAL | SURFACE | COLOR | ITEM NO | REMARKS |
|-----|---------------------------------------|-----------------|-----------------|-----------------|---------|---------|
| 1 | FLANGE MOUNTED SEAL | NEOPRENE | CONDUCTIVE | BLACK | 10 | |
| 1 | FLANGE MOUNTED SEAL | NEOPRENE | | BLACK | 9 | |
| 1 | LB- SIDE CLIP | STAINLESS STEEL | | | 8 | |
| 1 | LB- SIDE CLIP | STEEL | ZINC PLATED | BLUE | 7 | |
| 1 | SURFACE MOUNTED HOUSING, BOTTOM ENTRY | ALUMINIUM | HARD COAT | BLACK | 6 | ∅3.7mm |
| 1 | SURFACE MOUNTED HOUSING, BOTTOM ENTRY | ALUMINIUM | 4 | | 5 | |
| 1 | SURFACE MOUNTED HOUSING, BOTTOM ENTRY | ALUMINIUM | HARD COAT | AL COLOR | 4 | |
| 1 | SURFACE MOUNTED HOUSING, BOTTOM ENTRY | ALUMINIUM | | WITHOUT VARNISH | 3 | |
| 1 | SURFACE MOUNTED HOUSING, BOTTOM ENTRY | ALUMINIUM | ALUMINIUM OXIDE | BLACK RAL 9005 | 2 | |
| 1 | SURFACE MOUNTED HOUSING, BOTTOM ENTRY | ALUMINIUM | | GREY RAL 7001 | 1 | |

| QTY | DESCRIPTION | MATERIAL | SURFACE | COLOR | ITEM NO | REMARKS |
|-----|---------------------------------------|-----------------|-------------|----------|---------|---------|
| 2-2 | FLANGE MOUNTED SEAL | NEOPRENE | CONDUCTIVE | BLACK | 10 | |
| 1-2 | FLANGE MOUNTED SEAL | NEOPRENE | | BLACK | 9 | |
| 0-5 | LB- SIDE CLIP | STAINLESS STEEL | | | 8 | |
| 0-4 | LB- SIDE CLIP | STEEL | ZINC PLATED | BLUE | 7 | |
| 0-3 | SURFACE MOUNTED HOUSING, BOTTOM ENTRY | ALUMINIUM | HARD COAT | BLACK | 6 | ∅3.7mm |
| 0-2 | SURFACE MOUNTED HOUSING, BOTTOM ENTRY | ALUMINIUM | 4 | | 5 | |
| 0-1 | SURFACE MOUNTED HOUSING, BOTTOM ENTRY | ALUMINIUM | HARD COAT | AL COLOR | 4 | |

| ORDERING TEXT |
|------------------|
| HA-K.10.AG-LB.SO |
| HA.10.AG-LB.SO |
| HA.10.AG-LB.KM |
| HA-EMV.10.AG-LB |
| HA-K.10.AG-LB |
| HA.10.AG-LB |
| HA-K.10.AG-LB |

THIS DRAWING IS A CONTROLLED DOCUMENT.

| | | | | | | | | | | |
|------------------|--------------|----------|---------------------|---|-----------|-------|------------|-----------|---------------|----|
| DWN | SCHNEIDER | 4/8/1999 | TE Connectivity | NAME SURFACE MOUNTED HOUSING, BOTTOM ENTRY HA10.AG-LB | | | | | | |
| CHK | SCHWEIGER | 4/8/1999 | | | | | | | | |
| APVD | T.SCHNURPFEL | 4/8/1999 | | | | | | | | |
| PRODUCT SPEC | 108-74009 | | SIZE | A3 | CAGE CODE | 00779 | DRAWING NO | C=1102121 | RESTRICTED TO | - |
| APPLICATION SPEC | 114-74004 | | WEIGHT | - | SCALE | 1:1 | SHEET | 1 OF 1 | REV | A8 |
| CUSTOMER DRAWING | | | | | | | | | | |

| DIMENSIONS: | TOLERANCES UNLESS OTHERWISE SPECIFIED: |
|-------------|--|
| mm | 0 PLC ± |
| | 1 PLC ± |
| | 2 PLC ± |
| | 3 PLC ± |
| | 4 PLC ± |
| | ANGLES ± |
| MATERIAL | FINISH |
| 1 | 2 |