

10VR6

SAFETY ORGANIZATION(S):

THIS FILTER HAS BEEN FORMALLY RECOGNIZED, CERTIFIED OR APPROVED BY THE LISTED AGENCY. THEREFORE, ALL TEST/REQUIREMENTS SPECIFIED IN THE LATEST REVISION OF THE FOLLOWING AGENCY STANDARDS HAVE BEEN MET.

UL RECOGNIZED
CSA CERTIFIED
VDE APPROVED

UL 1283
CSA 22.2, NO.0,0.4,8
VDE 565-3

OPERATING SPECIFICATIONS:

LINE VOLTAGE/CURRENT: 10 AMP, 120/250 VAC
8 AMP./40°C, 250 VAC

LINE FREQUENCY: 50-60Hz

MAX. LEAKAGE CURRENT, EACH: .5 mA AT 120V 60Hz
LINE TO GROUND, .83 mA at 250V 50Hz

OPERATING AMBIENT TEMP. RANGE, -10°C TO +40°C @ RATED CURRENT, I_r

IN AN AMBIENT, T_a , HIGHER THAN 40°C, THE MAXIMUM OPERATING CURRENT, I_o , IS AS FOLLOWS:

$$I_o = I_r \sqrt{\frac{85 - T_a}{45}}$$

RELIABILITY SPECIFICATIONS:

STORAGE TEMPERATURE: -40°C TO +85°C
HUMIDITY: 21 DAYS @ 40°C 95% RH
CURRENT OVERLOAD TEST: 6 TIMES RATED CURRENT FOR 8 SECONDS

TEST SPECIFICATIONS:

INDUCTANCE: .99 mH NOMINAL
CAPACITANCE: (MEASURED @ 1 KHz, 0.25VAC MAX., 25°C±1°C)
LINE TO GROUND: .011µF ±20%
LINE TO LINE: .303µF ±20%
DISCHARGE RESISTOR: 680 KΩ

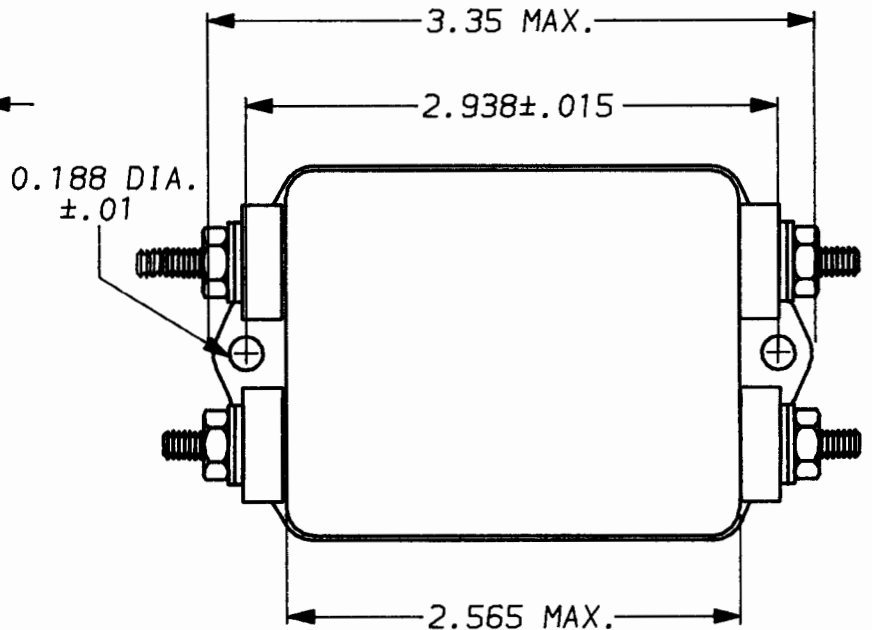
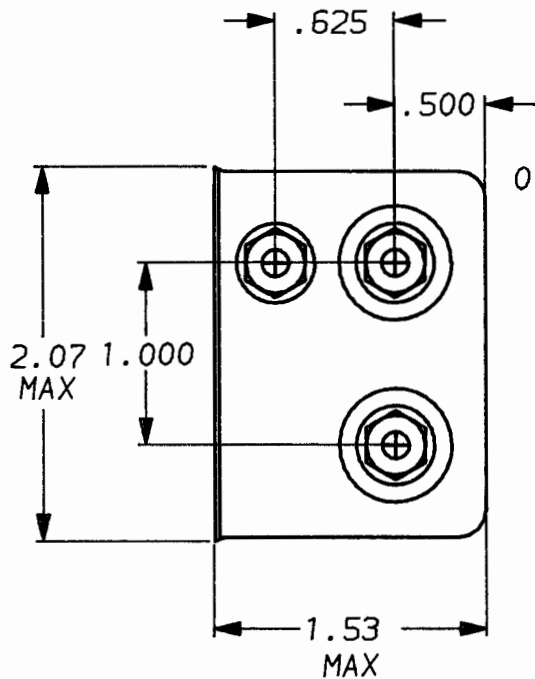
LINE/GROUND AND LINE/LINE: 6000Ω (MIN) AT 100VDC
INSULATION RESISTANCE: 20°C AND 50% RH

RECOMMENDED RECEIVING INSPECTION HIPOT:

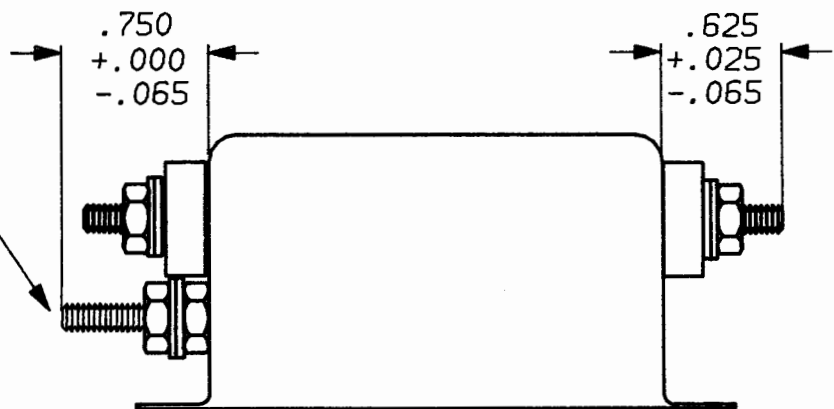
LINES TO GROUND: 2250 VDC FOR 1 MINUTE
LINE TO LINE: 1450 VDC FOR 1 MINUTE

FILTER APPROVAL:

THE BEST WAY TO SELECT AND QUALIFY A FILTER IS FOR YOUR ENGINEERING TO TEST THE UNIT IN YOUR EQUIPMENT.



#8-32 THREADS (5 PLACES)
20 IN/LBS. MAX. TORQUE



50Ω - 50Ω (MINIMUM) INSERTION LOSS											
FREQUENCY MHz	.15	.5	.6	1	2	5	10	20	30	/	/
COMMON dB	14	52	54	62	63	65	65	65	65	/	/
DIFF. dB	3	3	3	40	65	65	65	60	60	/	/

UNLESS OTHERWISE SPECIFIED, TOLERANCE TO BE ±.025
MATERIAL & FINISH: AS SUPPLIED
This document is proprietary to CORCOM INC. and is not to be reproduced nor used for manufacturing purposes except on CORCOM'S prior written consent.



POWER LINE FILTER

DATE: 9-9-93 CATALOG NO.
APPRVD: TAM 10VR6
CAD NO. 10VR6.05