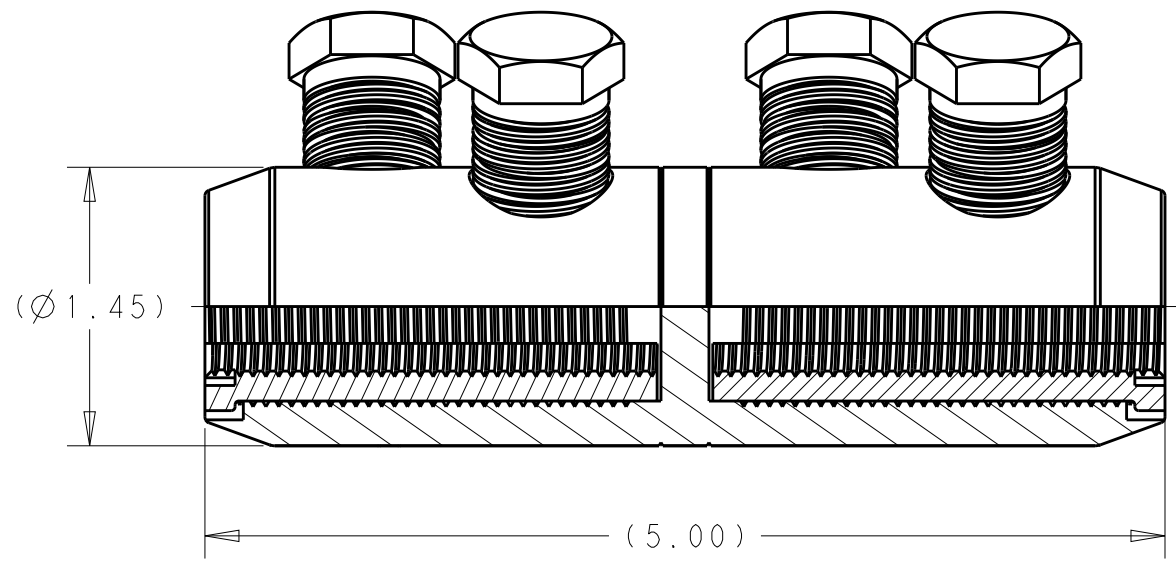
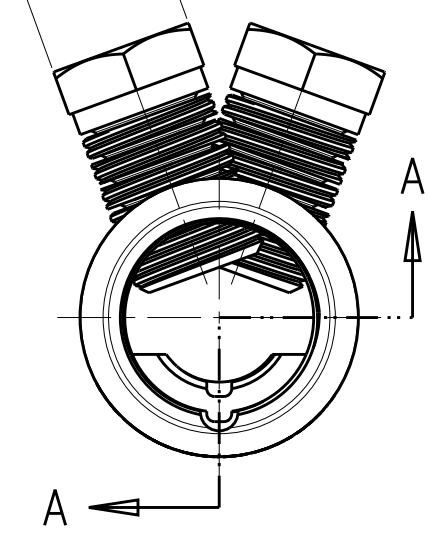


THIS DRAWING IS UNPUBLISHED. RELEASED FOR PUBLICATION 20  
 © COPYRIGHT 20 BY - ALL RIGHTS RESERVED.

LOC GA DIST 1

REVISIONS					
P	LTR	DESCRIPTION	DATE	DWN	APVD
	D	LC20-0190-08 / ECO-08-020395	15AUG2008	DM	BJ
	E	LC20-0088-14 / ECO-14-009363	25JUN2014	JG	BJ
	F	LC20-0023-15 / ECO-15-002732	20FEB2015	JG	BJ

(.75) TYP, A/F



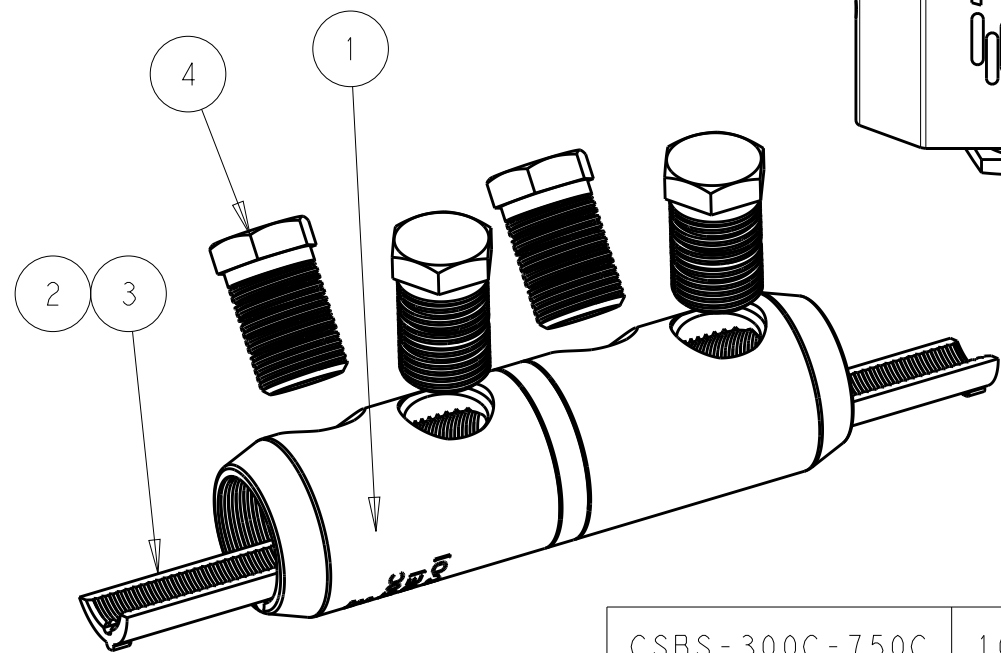
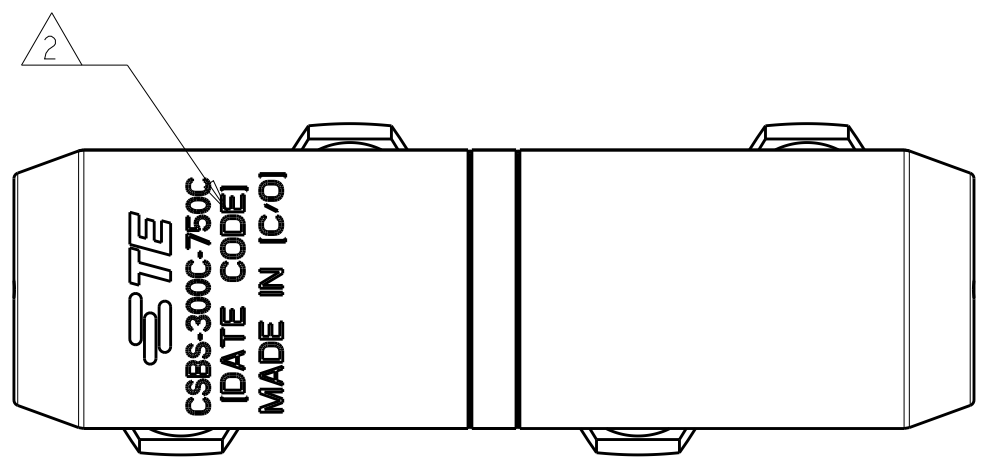
SECTION A-A

1. ACCOMMODATES:  
300 KCMIL CPT (Ø .570) TO 750 KCMIL (Ø .945) COPPER CONDUCTORS.

2 MARKING:

**STE**  
 CSBS-300C-750C  
 [DATE CODE]  
 MADE IN [COUNTRY OF ORIGIN]

3. INSERT SHALL BE REMOVED FOR CONDUCTOR SIZES 500 KCMIL CPT (Ø .736) AND LARGER.
4. ALL DIMENSIONS ARE FOR REFERENCE ONLY.
5. INSTALL BOLTS WITH 3/4 INCH HEX. SOCKET.



1	INSTALLATION INSTRUCTION SHEET, 408-10327	6
1	ABRASIVE TAPE, 1X24-120G	5
4	MULTI-SHEAR BOLT, BRASS, M18X1.5	4
A/R	CONTACT GREASE, NEUTRAL	3
2	INSERT, ETP COPPER	2
1	CONNECTOR BODY, ETP COPPER	1
-1	DESCRIPTION	ITEM NO
QTY		

CSBS-300C-750C	1099879-1
CATALOG NO.	PART NO.

THIS DRAWING IS A CONTROLLED DOCUMENT.

DIMENSIONS:	TOLERANCES UNLESS OTHERWISE SPECIFIED:
INCHES	
0 PLC	±
1 PLC	±
2 PLC	±
3 PLC	±
4 PLC	±
ANGLES	±
MATERIAL	FINISH
SEE BOM	NONE

THIS DRAWING IS A CONTROLLED DOCUMENT.

DWN D. ROBITAILLE 15 JAN 2003  
 CHK A. BULZA 31 JUL 2003  
 APVD D. LADIN 31 JUL 2003

**STE** TE Connectivity

NAME SHEARBOLT CONNECTOR, COPPER, SOLID OIL STOP, 300 KCMIL TO 750 KCMIL

SIZE	CAGE CODE	DRAWING NO	RESTRICTED TO
A3	00779	C-1099879	-

CUSTOMER DRAWING SCALE NTS SHEET 1 OF 1 REV F