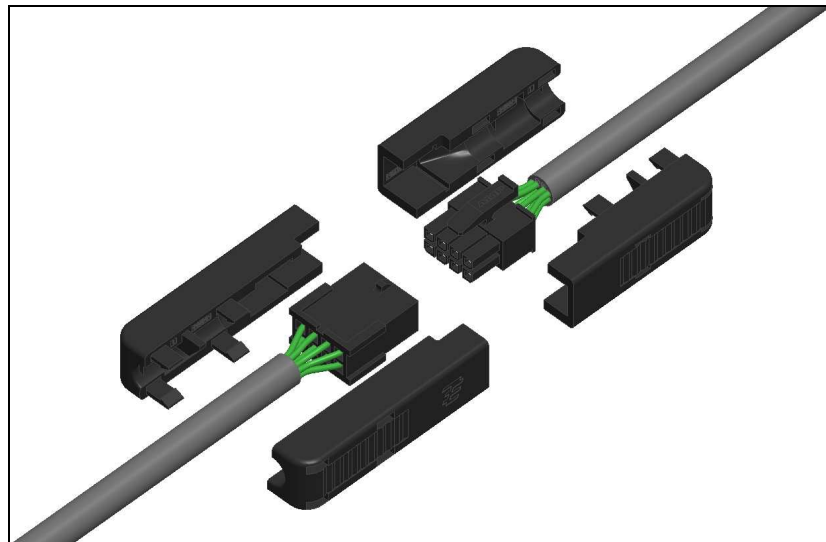
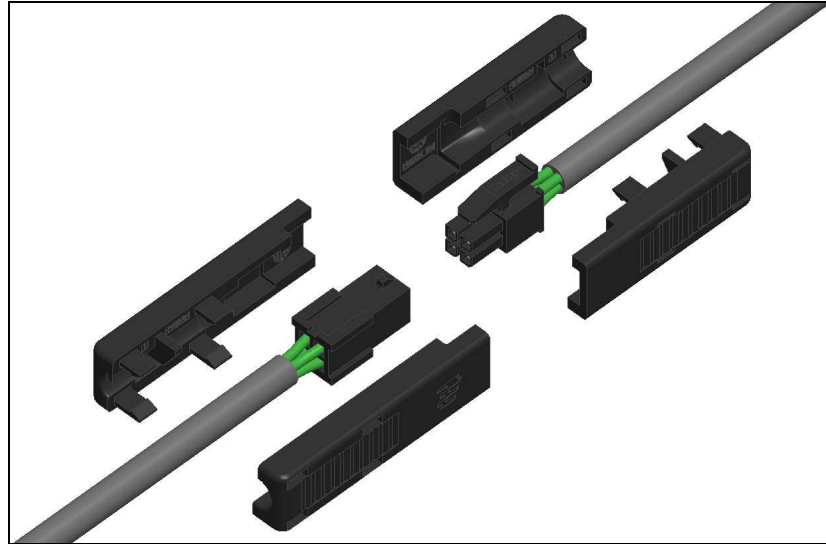


# 4/8 POS. COVERPARTS FOR MICRO MATE-N-LOK



**Product code: L486**

**G.P.L.: K50**

**Program: PRJ-10-000001318**

<b>A</b>	Released	D.C.	13JUN2012	J.C.	13JUN2012
<b>3</b>	Revised: included cable assembly P/N 293746-1	D.C.	26NOV2010	G.T.	26NOV2010
<b>2</b>	Revised: added polarized versions & corrected PCode	D.C.	08NOV2010	G.T.	08NOV2010
<b>1</b>	First issue	D.C.	09SEP2010	G.T.	09SEP2010
rev	rev. record	DR	Date	CHK	Date

DR.  
D. CHIARELLI

DATE APVD  
09SEP2010 G. TURCO

DATE  
09SEP2010

This specification is a controlled document.

This information is confidential and is disclosed to you on condition that no further disclosure is made by you to other than Tyco personnel without written authorization from Tyco Italia.

**Page 1 of 4**

\* Trademark of AMP Incorporated

**LOC I**

# 1. SCOPE

## 1.1 Content

This specification covers performances, tests and quality requirements for the: “4/8 POS. COVERPARTS FOR MICRO MATE-N-LOK” saleable in the following kits:

- 4 pos. coverparts (standard version) for Micro Mate-N-Lok Plug Housing P/N 794617-4: P/N 293734-1
- 4 pos. coverparts (polarized version 1) for Micro Mate-N-Lok Plug Housing P/N 794617-4: P/N 293734-2
- 4 pos. coverparts (polarized version 2) for Micro Mate-N-Lok Plug Housing P/N 794617-4: P/N 293734-3
- 4 pos. coverparts for Micro Mate-N-Lok Socket Housing P/N 794616-4: P/N 293735-1
- 8 pos. coverparts (standard version) for Micro Mate-N-Lok Plug Housing P/N 794617-8: P/N 293736-1
- 8 pos. coverparts (polarized version 1) for Micro Mate-N-Lok Plug Housing P/N 794617-8: P/N 293736-2
- 8 pos. coverparts (polarized version 2) for Micro Mate-N-Lok Plug Housing P/N 794617-8: P/N 293736-3
- 8 pos. coverparts for Micro Mate-N-Lok Socket Housing P/N 794616-8: P/N 293737-1

Micro Mate-N-Lok housings, included into the kits, are already existing and qualified as per Product Specification 108-1836. So, this document will apply on the following plastic parts only:

- 4 pos. coverpart “A” for Micro Mate-N-Lok Plug Housing P/N 794617-4: P/N **293726-1**
- 4 pos. coverpart “A” (polarized) for Micro Mate-N-Lok Plug Housing P/N 794617-4: P/N **293726-2**
- 4 pos. coverpart “B” for Micro Mate-N-Lok Plug Housing P/N 794617-4: P/N **293727-1**
- 4 pos. coverpart “B” (polarized) for Micro Mate-N-Lok Plug Housing P/N 794617-4: P/N **293727-2**
- 4 pos. coverpart “A” for Micro Mate-N-Lok Socket Housing P/N 794616-4: P/N **293728-1**
- 4 pos. coverpart “B” for Micro Mate-N-Lok Socket Housing P/N 794616-4: P/N **293729-1**
- 8 pos. coverpart “A” for Micro Mate-N-Lok Plug Housing P/N 794617-8: P/N **293730-1**
- 8 pos. coverpart “A” (polarized) for Micro Mate-N-Lok Plug Housing P/N 794617-8: P/N **293730-2**
- 8 pos. coverpart “B” for Micro Mate-N-Lok Plug Housing P/N 794617-8: P/N **293731-1**
- 8 pos. coverpart “B” (polarized) for Micro Mate-N-Lok Plug Housing P/N 794617-8: P/N **293731-2**
- 8 pos. coverpart “A” for Micro Mate-N-Lok Socket Housing P/N 794616-8: P/N **293732-1**
- 8 pos. coverpart “B” for Micro Mate-N-Lok Socket Housing P/N 794616-8: P/N **293733-1**

The present specification is also applicable for the following cable assembly:

- 8 pos. cable assembly for 8 pos. Micro Mate-N-Lok Plug Housing P/N 794617-8: P/N 293746-1.

## 1.2 Qualification

When test are performed the following specified specifications and standards shall be used. All inspections shall be performed using the applicable inspection plan and product drawing. This specification assures the performance, the tests and the quality of this product.

**2. APPLICABLE – REFERENCED DOCUMENTS**

The following document form a part of this specification to the extent specified herein.

Unless otherwise specified, the latest edition of the document applies.

In the event of conflict between requirements of this Specification and Product Inspection Drawings, Product Inspection Drawings shall take precedence.

In the event of conflict between requirements of this Specification and referenced documents, this Specification shall take precedence.

**2.1 Tyco Electronics documents**

- Tyco Electronics Product Drawings
- Tyco Electronics Customer Drawings
- Tyco Electronics Application Specification 114-20157
- Tyco Electronics Spec. 109-1      *General Requirements for Test Specifications*

**2.2 Other documents**

- IEC 60068-1                      *Environmental testing*
- IEC 60598-1                      *Luminaires - Part 1: general requirements and tests*
- IEC 60695-2-11                  *Fire Hazard Testing*
- IEC 60998-1                      *Connecting devices for low-voltage circuits for household and similar purposes*

**3. REQUIREMENTS**

**3.1 Design and Construction**

Product shall be of design, construction and physical dimensions specified on the applicable production drawings.

**3.2 Materials**

Materials used in the construction of this product shall be as specified on the applicable production drawings.

**3.3 Ratings**

3.3.1 Environmental parameters

Range Temperature: -20°C to +85°C

**3.4 Application**

The coverparts can be assembled, coupled as listed below, by hand or by pliers:

- P/N 293726-1 with P/N 293727-1 (ref. kit P/N 293734-1)
- P/N 293726-2 with P/N 293727-1 (ref. kit P/N 293734-2)
- P/N 293726-1 with P/N 293727-2 (ref. kit P/N 293734-3)
  
- P/N 293728-1 with P/N 293729-1 (ref. kit P/N 293735-1)
  
- P/N 293730-1 with P/N 293731-1 (ref. kit P/N 293736-1)
- P/N 293730-2 with P/N 293731-1 (ref. kit P/N 293736-2)
- P/N 293730-1 with P/N 293731-2 (ref. kit P/N 293736-3)
  
- P/N 293732-1 with P/N 293733-1 (ref. kit P/N 293737-1)

## 4. REQUIREMENTS AND TESTING PROCEDURES

Product is designed to meet the performance requirements according to the test conditions specified at §4.1.

### 4.1 Quality assurance description

#### SAMPLES PREPARATION

The samples for testing must be selected at random from the current production and in accordance with relevant inspection drawings. All samples must be stored for 1 day at 50% Relative Umidity. All used samples for testing must not be used again, unless otherwise specified.

#### SAMPLES COMPOSITION

Unless otherwise specified each group to be tested shall be composed at least by 3 samples MIN per version.

#### ENVIRONMENTAL TEST CONDITIONS

Unless otherwise specified, and according to IEC 60068-1, all tests shall be conducted at:

- Temperature: 25±10°C
- Relative humidity: 45÷75%
- Pressure: 860÷1060 mbar

### 4.2 Test requirements and Procedures Summary

1. PRODUCT EXAMINATION		
TEST	REQUIREMENT	PROCEDURE
1.1 Product Confirmation	The product must meet the requirements of related drawings.	Visual, dimensional and functional inspection, according to the Quality Inspection Plan.
1.2 Visual Examination	The product must not have visible marks of damage, break or defect before and after the execution of the tests.	(Acc. to IEC 60512-1-1 test 1a) Visual inspection
2. MECHANICAL REQUIREMENTS		
TEST	REQUIREMENT	PROCEDURE
2.1 Cable Retention Force	No physical damages. No longitudinal cable displacement > 2mm after the 25 <sup>th</sup> pull.	Acc. to IEC 60598-1 par. 5.2.10.3 60 N longitudinal cable pull, n°25 times subjected to pull; pulls applied without jerks, each time for 1s. Testing speed 25,4mm/min.
3. RESISTANCE TO HEAT AND FIRE		
TEST	REQUIREMENT	PROCEDURE
3.1 Glow wire	Glow Wire 650°C	Acc. to IEC 60695-2-11 Temperature: +650°C.

## 5. TEST SEQUENCES

TEST	DESCRIPTION	TEST GROUPS	
		A	B
1.1+1.2	Product confirmation + Visual examination	1,3	1,3
2.1	Cable Retention Force	2	
3.1	Glow wire test		2