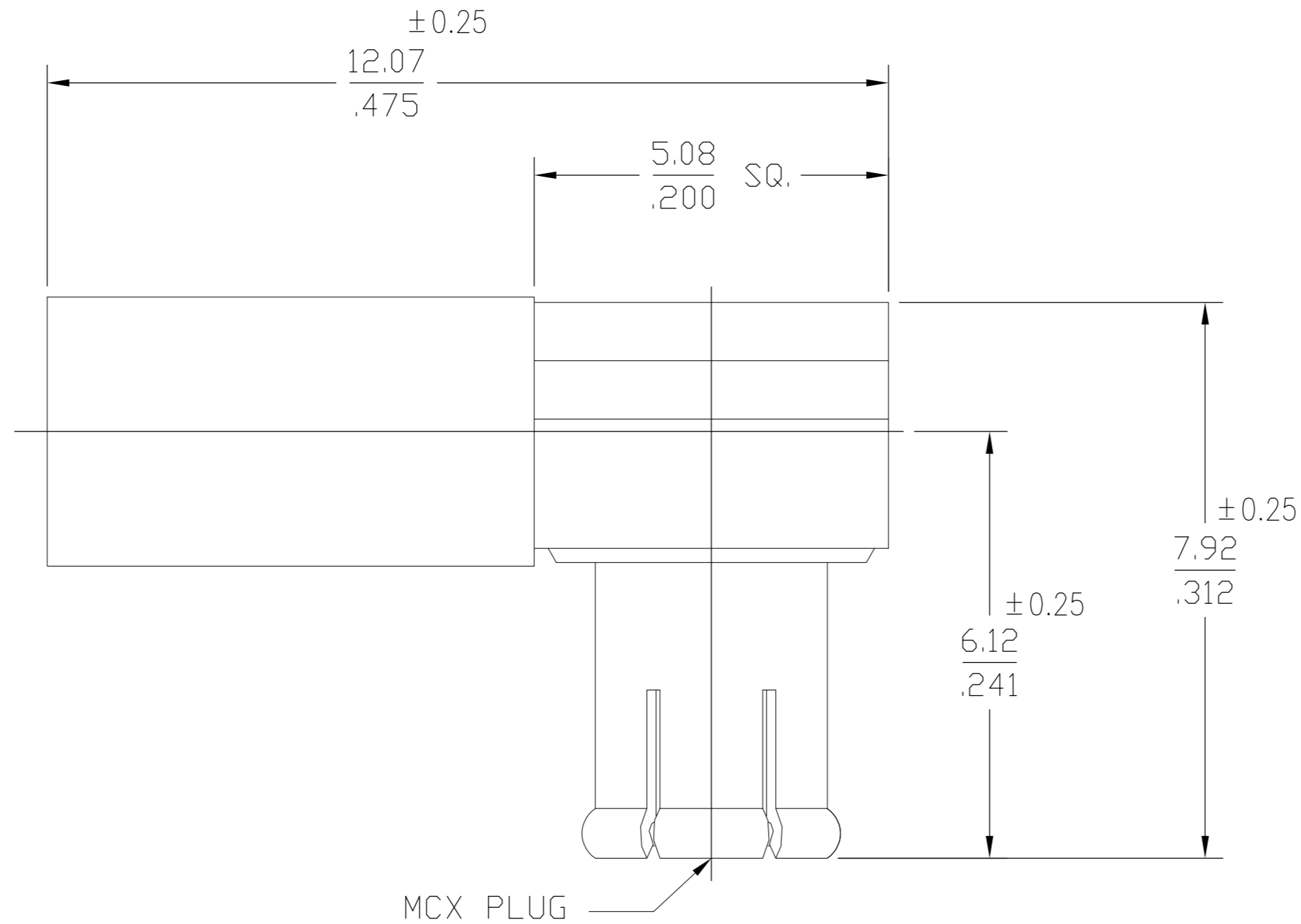
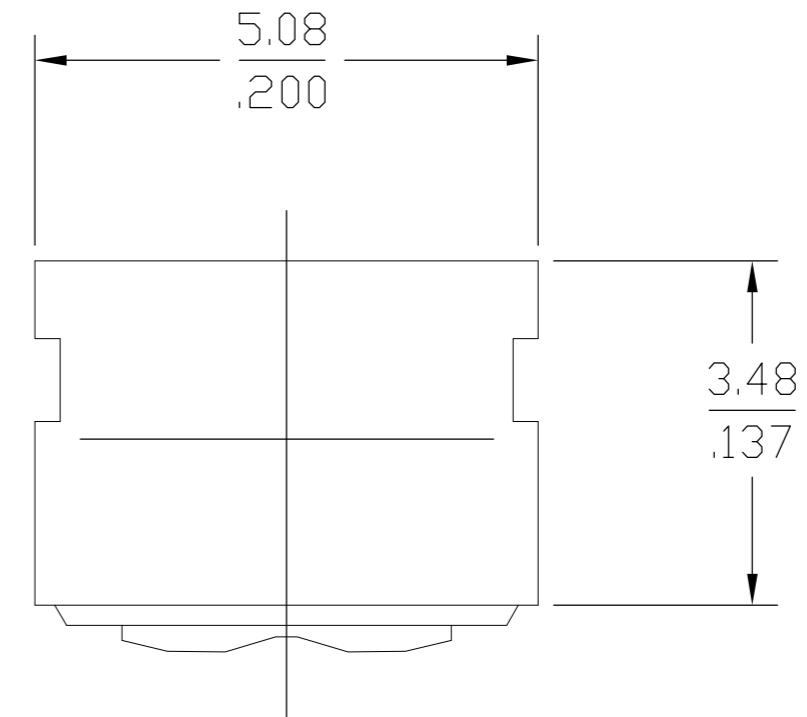


THIS DRAWING IS UNPUBLISHED. RELEASED FOR PUBLICATION
 © COPYRIGHT BY TYCO ELECTRONICS CORPORATION. ALL RIGHTS RESERVED.

LOC		DIST		REVISIONS			
AJ	00	P	LTR	DESCRIPTION	DATE	DWN	APVD
		B		REV PER ECO 07-027463	17DEC2007	DW	JL



1. SEE INSTRUCTION SHEET
408-4714



1060604-1
PART NUMBER

DESIGNED FOR USE WITH RD 316/U FLEX CABLE DOUBLE BRAIDED CABLE ENTRY DIAMETER MINIMUM
CONTACT .024 SLOT
HOUSING .067
FERRULE .137

XX.X = mm
.XXX = in

ELECTRICAL	MECHANICAL	ENVIRONMENTAL
Nominal Impedance (Ohms) 50	Force to Engage (lbs MAX) 3.4 (1.1 TYP)	TEMPERATURE RATING -65° TO +165°C
Frequency Range (GHz) DC to 6	& Disengage (lbs) 1.77 MIN 4.5 MAX	Vibration MIL-STD-202, Method 204, Condition B
Volt Rating (VRMS MAX) @ Sea Level 335	Center Contact Captivation Designed to Maintain MCX Interface When Mating	Thermal Shock MIL-STD-202, Method 102, Condition B
VSWR 1.25 MAX @ 4 GHz		Moisture Resistance MIL-STD-202, Method 106D, 10 Cycles, 96 Hours
1.35 MAX @ 6 GHz		Corrosion - MIL-STD-202, Method 101, Condition B
Insertion Loss .1dB MAX/1000 MHz		
Corona, 70,000 Ft (VRMS MIN) 250		
Dielectric Withstanding Voltage (VRMS MIN) @ Sea Level 1000		
Contact Resistance (Milliohms MAX) Center Contact 5.0		
Outer Contact 1.0		
Cable to Housing 1.0		
RF High Potential @ Sea Level (VRMS MIN @ 5 MHz) 670		
I.R.(Megohms MIN) 10,000		

HOUSING CAP CENTER CONTACT	BRASS PER QQ-B-626 COMP. 360	NICKEL PLATE PER QQ-N-290
DIELECTRIC	PTFE FLUOROCARBON PER ASTM-D-1457	N/A
CONTACT FINGERS	BERYLLIUM COPPER PER ASTM B 196, ALLOY C17300, CONDITION H	GOLD PLATE PER MIL-G-45204
FERRULE	COPPER OR BRASS ALLOY ROCKWELL F65 MAX	NICKEL PLATE PER QQ-N-290
COMPONENT	MATERIAL	FINISH
THIS DRAWING IS A CONTROLLED DOCUMENT.		
DIMENSIONS: mm	TOLERANCES UNLESS OTHERWISE SPECIFIED:	DWN TMD 1/16/95
0 PLC ± -	1 PLC ± -	CHK -
2 PLC ± 0.12 .005	3 PLC ± -	APVD -
4 PLC ± -	ANGLES ± 1°	PRODUCT SPEC -
MATERIAL -	FINISH -	APPLICATION SPEC -
Tyco Electronics Corporation Harrisburg, PA 17105-3608		NAME
MCX RIGHT ANGLE CABLE PLUG- CRIMP ATTACHMENT (5837-5010-10)		SIZE CAGE CODE DRAWING NO RESTRICTED TO
A2 00779 C=1060904-1		SCALE 1:1 SHEET 1 OF 1 REV B
CUSTOMER DRAWING		