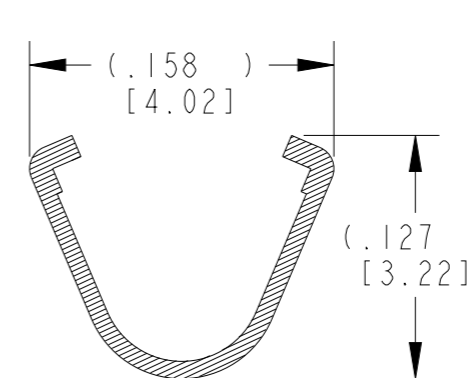
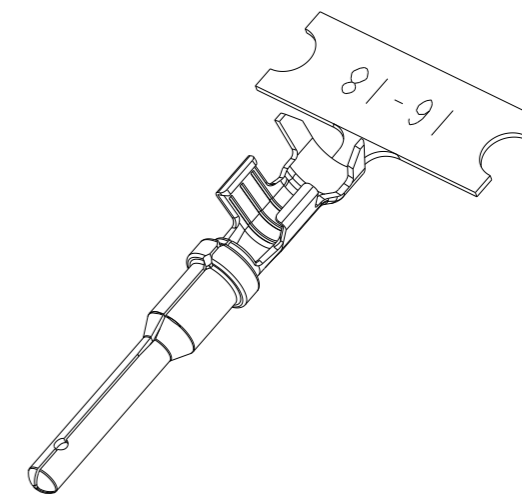
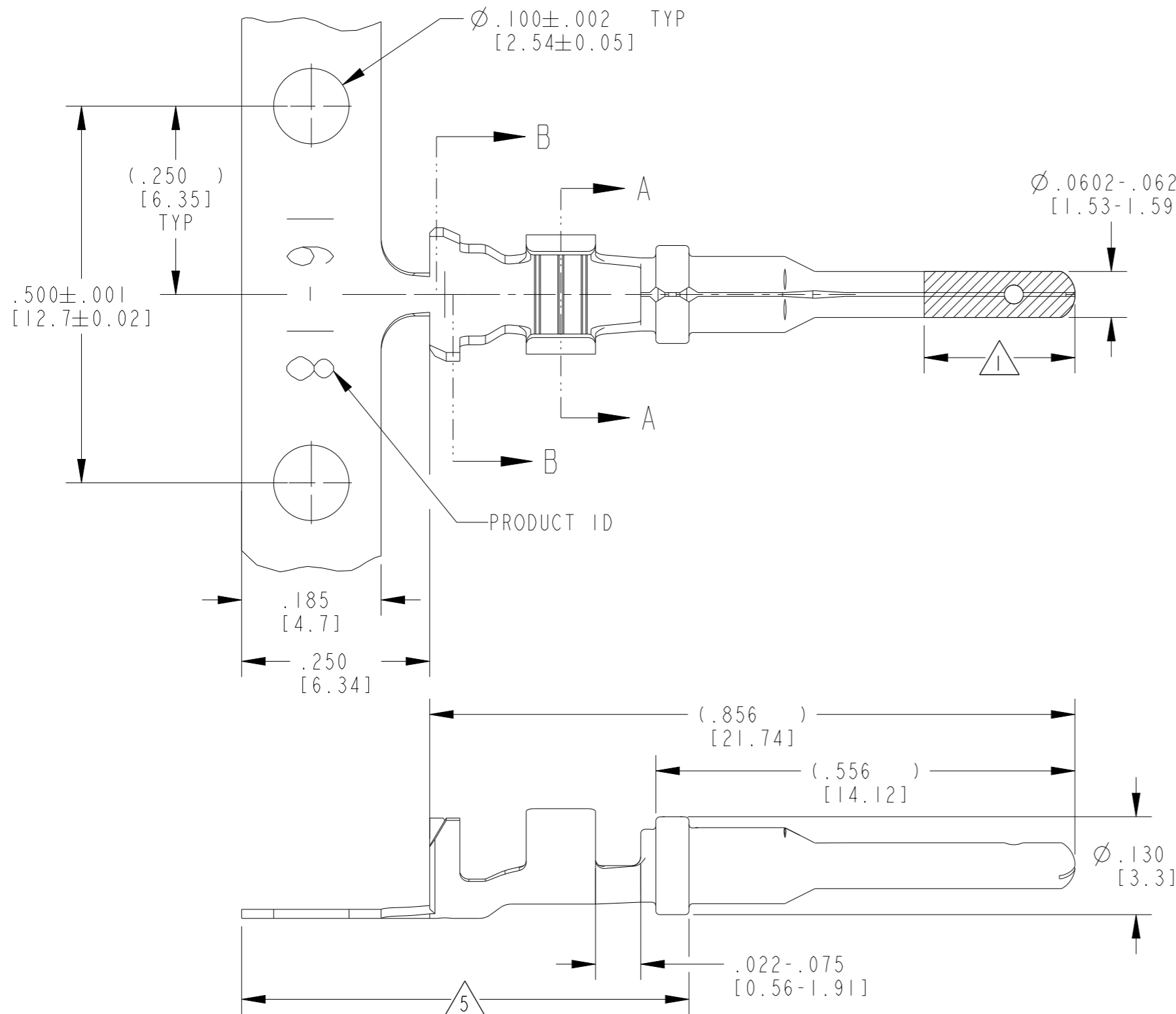
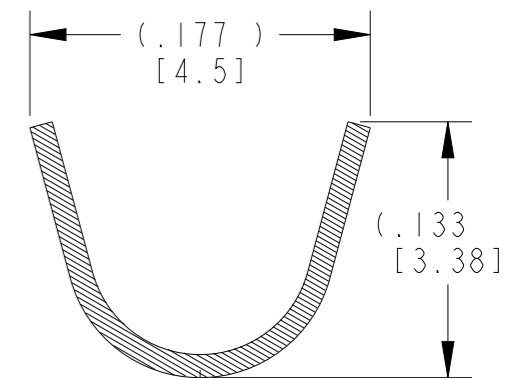


P	LTR	DESCRIPTION	DATE	DWN	APVD
A		REVISED PER E.O. P16997	08DEC2000	-	RDR
B		REVISED PER E.O. P19555	11JUL2007	-	RDR
C		REVISED PER E.O. P20396	25JUN2010	-	RDR
D		REVISED PER PCN-21-121539	04MAR2022	DRK	CB



**SECTION A-A**  
CONDUCTOR WINGS



**SECTION B-B**  
INSULATION WINGS

TE INTERNAL PN	DEUTSCH PN	PLATING
1060-16-0988	1060-16-0988	Selective Pd-Ni, Au/Ni/Cu overall

3 MATERIAL: .012 [0.30] THICK COPPER ALLOY

2. WIRE RANGE: 18 AWG TO 14 AWG [0.75-2.0 mm<sup>2</sup>]  
INSULATION RANGE:  $\varnothing .075 - .140$  [ $\varnothing 1.91 - 3.56$ ]

1 PALLADIUM-NICKEL PLATED REGION

NOTES: UNLESS OTHERWISE SPECIFIED

THIS DRAWING IS A CONTROLLED DOCUMENT.	
DIMENSIONS: INCHES [mm]	TOLERANCES UNLESS OTHERWISE SPECIFIED:
	0 PLC ±-
	1 PLC ±-
	2 PLC ±-
	3 PLC ±.025 [0.64]
	4 PLC ±-
	ANGLES ±-
MATERIAL	FINISH
3	SEE TABLE

DWN	J APOSTOL	03DEC2009
CHK	D MEYER	25JUN2010
APVD	R REED	25JUN2010
PRODUCT SPEC	108-151000	
APPLICATION SPEC	114-151000	
WEIGHT	0.33g	
CUSTOMER DRAWING		

		NAME		RESTRICTED TO
		STAMPED CONTACT PIN SIZE 16		
SIZE	CAGE CODE	DRAWING NO	-	
A3	4AFU8	1060-16-09XX	-	
SCALE		SHEET	OF	REV
6:1		1	1	D