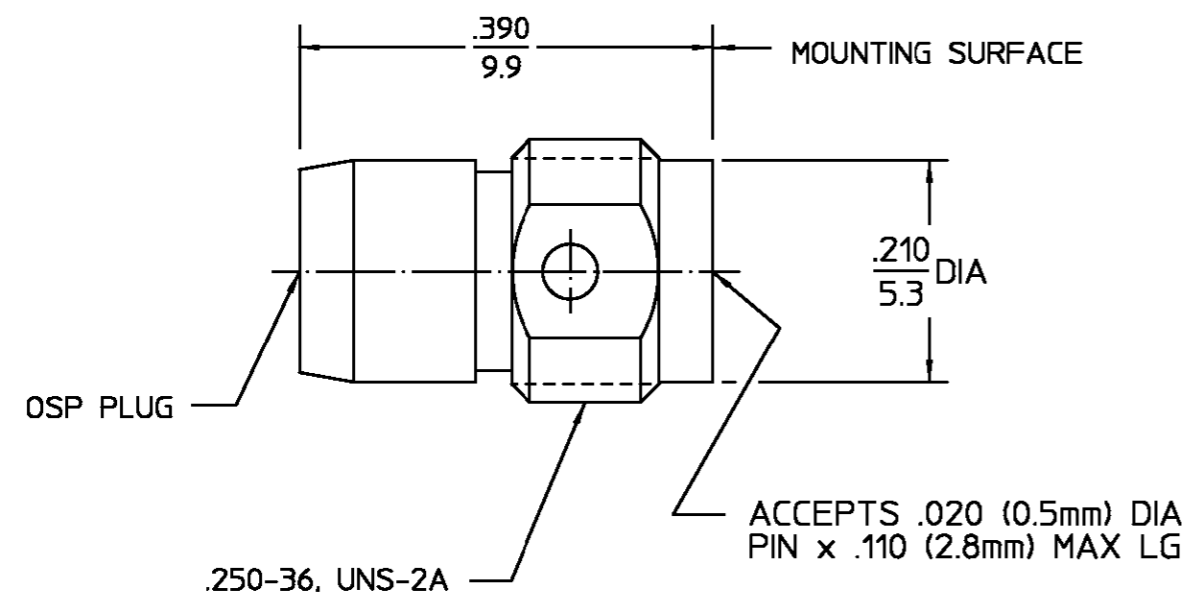


REVISIONS			
REV	DESCRIPTION	DATE	APPROVED
01	RELEASED	4/29/96	<i>D. Camello</i>



.XXX = in
XX.X = mm

ELECTRICAL	MECHANICAL	ENVIRONMENTAL
Nominal Impedance (Ohms) 50	Interface Dimensions Per OMNI-SPECTRA CATALOG	Temperature Rating -65°C To +125°C
Frequency Range (GHz) DC - 18.0	Recommended Mating Torque N/A	Vibration - MIL-STD-202, Method 204, Condition D, 20G's
Volt Rating (VRMS MAX) 335 @ Sea Level	Mating Characteristics:	Shock - MIL-STD-202, Method 213, Condition I
VSWR 1.04 + .006 F(GHz)	Insertion (MAX Lbs) N/A	Thermal Shock MIL-STD-202, Method 107, Condition B
Insertion Loss (dB MAX) .03√F(GHz)	Withdrawal (MIN Oz) N/A	Except High Temp 115°C
RF Leakage (dB MIN) -(90 - F(GHz))	Force To Engage (Lbs MAX) 3.0	Moisture Resistance - MIL-STD-202, Method 106
Corona, 70,000 Ft (VRMS MIN) 85	Force To Disengage (Lbs MAX) 1.5	Corrosion - MIL-STD-202, Method 101, Condition B, 5% salt spray
Dielectric Withstanding Voltage (VRMS MIN) 1000 @ Sea Level	Center Contact Captivation	
Contact Resistance (Milliohms MAX)	Axial (Lbs) 6.0	
Center Contact 3.0	Radial (In-Oz) 4.0	
Outer Contact 2.0	Weight (Grams) T.B.D.	
RF High Potential (VRMS MIN @ 5 MHz) 670 @ Sea Level		
I.R.(Megohms) 5000		

COMPONENT	MATERIAL	FINISH	
HOUSING	STAINLESS STEEL PER ASTM-A484 AND ASTM-A582, TYPE 303	PASSIVATE PER ASTM-A380	
DIELECTRIC	TFE FLUOROCARBON PER ASTM-D-1457	N/A	
CENTER CONTACT	BERYLLIUM COPPER PER ASTM B 196, ALLOY	GOLD PLATE PER MIL-G-45204	
UNLESS OTHERWISE SPECIFIED DIMENSIONS ARE IN INCHES TOLERANCE ON		<i>D. Camello</i> 4/29/96 AMP Incorporated 140 Fourth Avenue Waltham, MA 02451-7599	
FRAC.	DEC.		ANGLES
± 1/64	± .005	± °	AMP TITLE OSP FIELD REPLACEABLE PANEL FEEDTHROUGH PLUG RECEPTACLE - SOCKET TERM
DRAWN BY: <i>D. Camello</i> DATE: 4/29/96 CHECKED BY: <i>D. Camello</i> APP'D BY: <i>D. Camello</i> 4/29/96		NO. AP. 408-04604 (45-130)	
These drawings and specifications are the property of M/A-COM incorporated and shall not be reproduced or copied or used in whole or in part as the basis for the manufacture or sale of item(s) without written permission.		SIZE B CODE IDENT NO. 26805 SCALE 5:1	
		4557-5366-02 SHEET 1 OF 1	