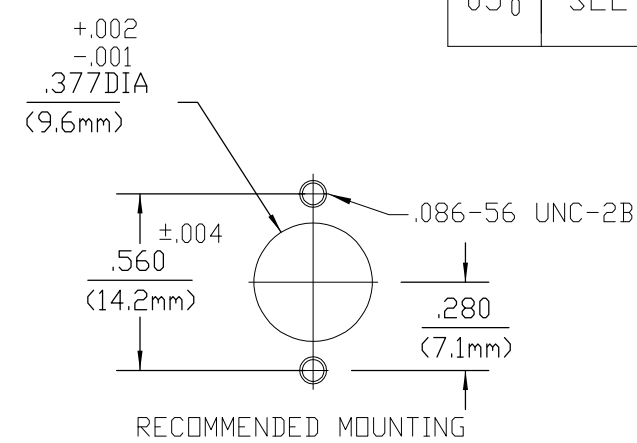



REVISIONS			
REV	DESCRIPTION	DATE	APPROVED
05 ₀	SEE ECN 93-0041-1	4/1/93	3/25/93



DESIGNED FOR USE WITH .085 DIA SEMI-RIGID CABLE CABLE ENTRY DIAMETER MINIMUM	
HOUSING	.089
CONTACT	.021

INNER HOUSING BUSHING	STAINLESS STEEL PER ASTM-A484 AND ASTM-A582, TYPE 303	GOLD PLATE PER MIL-G-45204 OVER NICKEL PLATE PER QQ-N-290
OUTER HOUSING SPRING WASHER	STAINLESS STEEL PER ASTM-A484 AND ASTM-A582, TYPE 303	PASSIVATE PER ASTM-A380
DIELECTRIC	TFE FLUOROCARBON PER ASTM-D-1457	N/A
CENTER CONTACT	BERYLLIUM COPPER PER ASTM B 196, ALLOY C17300, CONDITION H	GOLD PLATE PER MIL-G-45204 OVER COPPER PLATE PER MIL-C-14550
CONTACT SLEEVE	BERYLLIUM COPPER PER ASTM B 196, ALLOY C17300, CONDITION H	GOLD PLATE PER MIL-G-45204 OVER NICKEL PLATE PER QQ-N-290
CONTACT RING SHIM	BERYLLIUM COPPER PER ASTM B 194, ALLOY C17200, CONDITION H	GOLD PLATE PER MIL-G-45204 OVER COPPER PLATE PER MIL-C-14550
RETAINING RING	BERYLLIUM COPPER PER ASTM B 194, ALLOY C17200, CONDITION H	NICKEL PLATE PER QQ-N-290 OVER COPPER PLATE PER MIL-C-14550
SPRING WASHER	BERYLLIUM COPPER PER ASTM B 194, ALLOY C17200, CONDITION H	NICKEL PLATE PER QQ-N-290

ELECTRICAL	MECHANICAL	ENVIRONMENTAL
Nominal Impedance (Ohms) 50	Interface Dimensions DESC SPEC 85071	Temperature Rating -65° to +125°C
Frequency Range (GHz) DC to 22	Mating Characteristics:	Vibration MIL-STD-202, Method 204, Condition D
Volt Rating (VRMS MAX) @ Sea Level 450	Insertion (MAX Lbs) 3	Shock MIL-STD-202, Method 213, Condition I
VSWR 1.05+.005f(GHz) DC to 18 GHz	Withdrawal (MIN Oz) 1	Thermal Shock MIL-STD-202, Method 107, Condition B
1.05+.009f(GHz) 18 to 22 GHz	Force to Engage (In-Lbs MAX) & Disengage (In-Lbs MAX) 1.5	Moisture Resistance MIL-STD-202, Method 106
Insertion Loss (dB MAX) .03√f(GHz)	Center Contact Captivation:	Corrosion - MIL-STD-202, Method 101, Condition B, 5% Salt Spray
RF Leakage (dB MIN) (Interface Only, Fully Mated) -(90-f(GHz))	Axial (Lbs) 6	
Corona, 70,000 Ft (VRMS MIN) 335	Cable Retention:	
Dielectric Withstanding Voltage (VRMS MIN) @ Sea Level 1000	Axial Force (Lbs MIN) 30	
Contact Resistance (Milliohms MAX):	Torque (In-Oz MIN) 16	
Center Contact 2.0	Weight (Grams) 5.4	
Outer Contact 2.0		
Cable to Housing 0.5		
RF High Potential @ Sea Level (VRMS MIN @ 5 MHz) 670		
I.R.(Megohms MIN) 5000		

COMPONENT	MATERIAL	FINISH
UNLESS OTHERWISE SPECIFIED DIMENSIONS ARE IN INCHES TOLERANCE ON	DRAWN BY J.MCINNIS 11/18/82	 AMP Incorporated 140 Fourth Avenue Waltham, MA 02451-7599
FRAC. DEC. ANGLES ± 1/64 ±.005 ± 1°	CHECKED BY R.GIERAS 11/18/82	
	APP'D BY R.M.F. 11/18/82	
These drawings and specifications are the property of Omni Spectra incorporated and shall not be reproduced or copied or used in whole or in part as the basis for the manufacture or sale of item(s) without written permission.	USE ASS'Y PROCEDURE	TITLE DSP FLOATING FLANGE MOUNT CABLE JACK - DIRECT SOLDER ATTACHMENT
	408-08263 (45-008)	SIZE B
	ND. A.P. _____	CODE IDENT NO. 26805
		4506-7985-02
		REV 05 ₀
		SCALE 3:1
		SHEET 1 OF 1

CUSTOMER DRAWING

AMP PART # 1059456-1
SHEET 1 OF 1 REV A