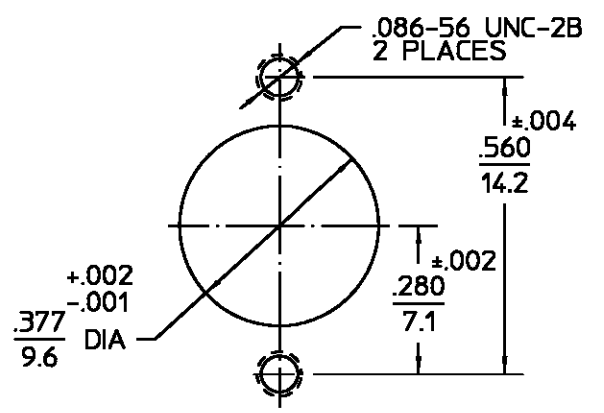


DESIGNED FOR USE WITH RD-178/U CABLE	
CABLE ENTRY DIAMETER MINIMUM	
HOUSING	.036
CONTACT	.014
FERRULE	.109

REVISIONS			
REV	DESCRIPTION	DATE	APPROVED
030	REVISED	03/01/94	AD



ELECTRICAL	MECHANICAL	ENVIRONMENTAL
Nominal Impedance (Ohms) <u>50</u>	Interface Dimensions <u>PER OMNI SPECTRA CATALOG</u>	Temperature Rating <u>-65° to +125°C</u>
Frequency Range (GHz) DC to <u>3</u>	Mating Characteristics:	Vibration MIL-STD-202, Method 204, Condition D
Volt Rating (VRMS MAX) @ Sea Level <u>170</u>	Insertion (MAX Lbs) <u>3</u>	Shock MIL-STD-202, Method 213, Condition I
VSWR <u>1.2 ±.02 f(GHz)</u>	Withdrawal (MIN Oz) <u>1</u>	Thermal Shock MIL-STD-202, Method 107, Condition B except High Temp shall be +85°C
Insertion Loss (dB MAX) <u>.06 √f(GHz)</u>	Force to Engage (In-Lbs MAX) <u>3</u> & Disengage (In-Lbs MAX) <u>15</u>	Moisture Resistance MIL-STD-202, Method 106
RF Leakage (dB MIN) (Interface Only, Fully Mated) <u>[-85-f(GHz)]</u>	Center Contact Captivation Axial (Lbs) <u>6</u>	Corrosion - MIL-STD-202, Method 101, Condition B
Corona, 70,000 Ft (VRMS MIN) <u>125</u>	Cable Retention Axial Force (Lbs MIN) <u>10</u>	
Dielectric Withstanding Voltage (VRMS MIN) @ Sea Level <u>500</u>	Torque (In-Oz MIN) <u>N/A</u>	
Contact Resistance (Milliohms MAX)	Weight (Grams) <u>TBD</u>	
Center Contact <u>2.0</u>		
Outer Contact <u>2.0</u>		
Cable to Housing <u>0.5</u>		
RF High Potential @ Sea Level (VRMS MIN @ 5 MHz) <u>335</u>		
LR.(Megohms MIN) <u>5000</u>		

COMPONENT	MATERIAL	FINISH
OUTER HOUSING	STAINLESS STEEL PER ASTM-A484 AND ASTM-A582, TYPE 303	PASSIVATE PER ASTM-A380
INNER HOUSING		
WASHER		
DIELECTRIC	TFE FLUOROCARBON PER ASTM-D-1457	N/A
CENTER CONTACT	BERYLLIUM COPPER PER ASTM B 196, ALLOY C17300, CONDITION H	GOLD PLATE PER MIL-G-45204 OVER
CONTACT RING		
CONTACT SLEEVE		
SPRING	STAINLESS STEEL	PASSIVATE PER ASTM-A380
RETAINING RING	BERYLLIUM COPPER PER ASTM B 194, ALLOY C17200, CONDITION H	NICKEL PLATE PER QQ-N-290
SPRING WASHER		
SHRINK TUBING	HEAT SHRINKABLE POLYOLEFIN COMPOUND MIL-I-23053/4	N/A
FERRULE	COPPER OR BRASS ALLOY ROCKWELL F65 MAXIMUM	GOLD PLATE PER MIL-G-45204 OVER

UNLESS OTHERWISE SPECIFIED DIMENSIONS ARE IN INCHES TOLERANCE ON	DRAWN BY	DATE	AMP Incorporated 140 Fourth Avenue Waltham, MA 02451-7599												
	FRAC.	DEC.		ANGLES											
± 1/64	±.005	± °													
These drawings and specifications are the property of Omni Spectra Incorporated and shall not be reproduced or copied or used in whole or in part as the basis for the manufacture or sale of item(s) without written permission.	APPD BY	DATE	<table border="1"> <tr> <td>SIZE</td> <td>CODE IDENT NO.</td> <td>TITLE</td> <td>REV</td> </tr> <tr> <td>B</td> <td>26805</td> <td>OSP 2 HOLE FLOATING FLANGE MOUNT CABLE JACK CRIMP ATTACHMENT</td> <td>030</td> </tr> <tr> <td>SCALE</td> <td>5:1</td> <td>4536-5014-02</td> <td>SHEET 1 OF 1</td> </tr> </table>	SIZE	CODE IDENT NO.	TITLE	REV	B	26805	OSP 2 HOLE FLOATING FLANGE MOUNT CABLE JACK CRIMP ATTACHMENT	030	SCALE	5:1	4536-5014-02	SHEET 1 OF 1
	SIZE	CODE IDENT NO.		TITLE	REV										
B	26805	OSP 2 HOLE FLOATING FLANGE MOUNT CABLE JACK CRIMP ATTACHMENT	030												
SCALE	5:1	4536-5014-02	SHEET 1 OF 1												
	USE ASS'Y PROCEDURE	NO. AP. <u>45-094</u>													