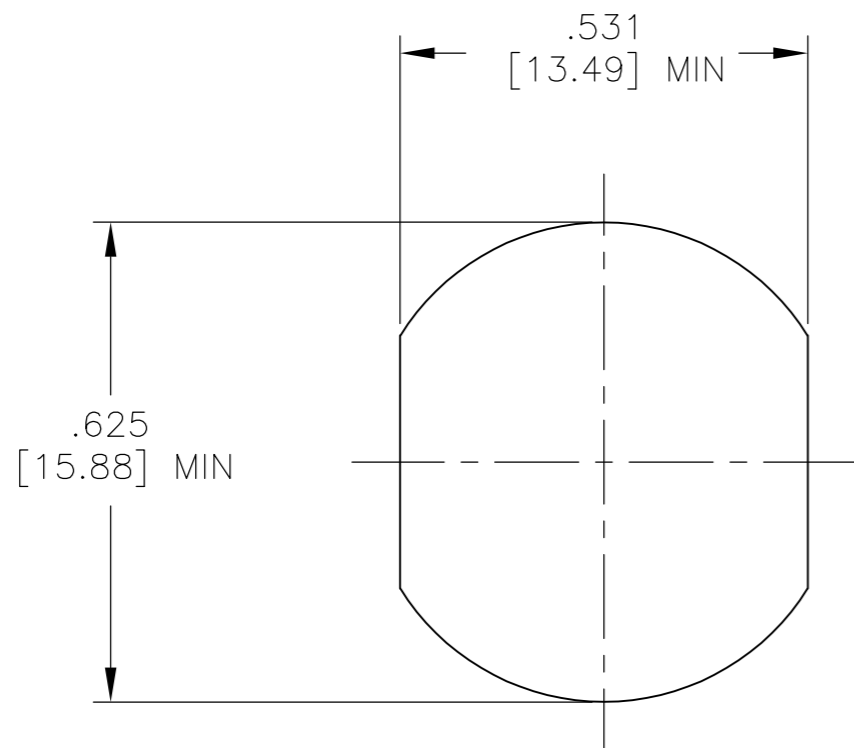


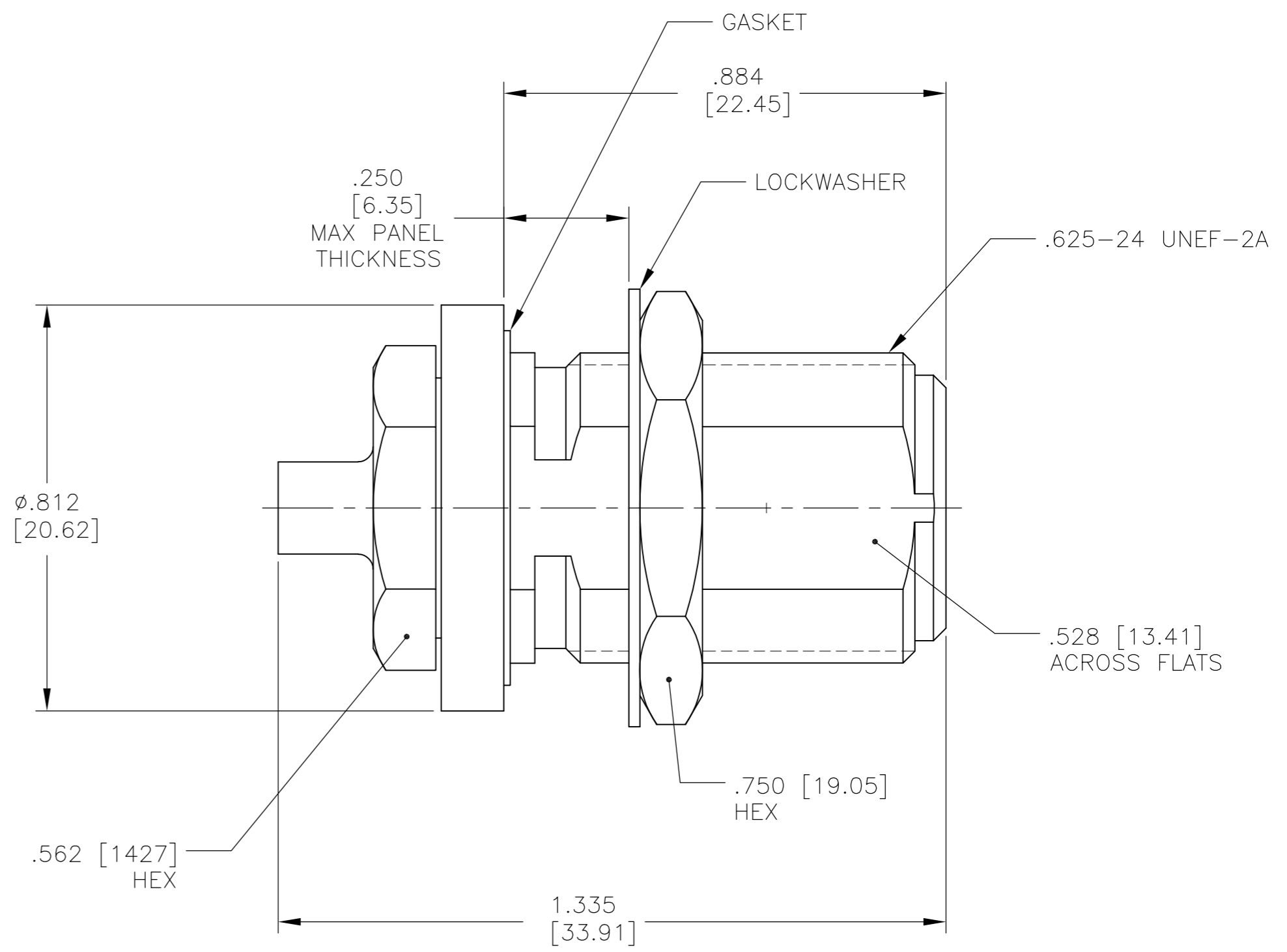
THIS DRAWING IS UNPUBLISHED.		RELEASED FOR PUBLICATION	
© COPYRIGHT - By -		ALL RIGHTS RESERVED.	
HOUSING	BRASS PER QQ-B-626 COMP. 360	GOLD PLATE PER ASTM-B488	
HOUSING MOUNTING NUT LOCKWASHER	STAINLESS STEEL PER ASTM-A484 AND ASTM- A582, TYPE 303	PASSIVATE PER SAE-AMS-2700	
DIELECTRIC	TFE FLUOROCARBON PER ASTM-D-1457	N/A	
CENTER CONTACT	BERYLLIUM COPPER PER ASTM B 196, ALLOY C17300, CONDITION H	GOLD PLATE PER ASTM-B488	
GASKET	SILICONE RUBBER PER ZZ-R-765	N/A	
"O" - RING	SILICONE RUBBER PER ZZ-R-765, CLASS 2B	N/A	
COMPONENT	MATERIAL	FINISH	

LOC	DIST	REVISIONS					
-	-	P	LTR	DESCRIPTION	DATE	DWN	APVD
		B		REV PER ECO 12-006209	3-30-12	CT	WM



**RECOMMENDED MOUNTING HOLE**

DESIGNED FOR USE WITH .141 DIA S/R CABLE CABLE ENTRY DIAMETER MINIMUM	
HOUSING	.142 [3.61]
CONTACT	.041 [1.04]



ELECTRICAL	MECHANICAL	ENVIRONMENTAL
Nominal Impedance (Ohms) <u>50</u>	Interface Dimensions MIL-STD-348A, Fig. 304.2	TEMPERATURE RATING -65°C TO +105°C
Frequency Range (GHz) DC to <u>11</u>	Recommended Mating Torque <u>12-15 In Lbs</u>	Vibration MIL-STD-1344, Method 2005, Condition IV, 30g Peak
Volt Rating (VRMS MAX) @ Sea Level <u>600</u>	Mating Characteristics: Insertion (MAX Lbs) <u>2.0</u>	Shock MIL-STD-1344, Method 2004, Condition G
VSWR <u>1.07 + .007(f)GHz</u>	Withdrawal (MIN Oz) <u>2.0</u>	Thermal Shock MIL-STD-1344, Method 1003, Test Condition A, EXCEPT HIGH TEMP 115°C
Insertion Loss (dB MAX) <u>.03 √(f)GHz</u>	Force to Engage and Disengage (In/Lbs MAX) <u>6.0</u>	Corrosion - MIL-STD-1344, Method 1001, Condition B
RF Leakage (dB MIN) <u>-90dB</u> Between 2 to 3 GHz	Center Contact Captivation Axial (Lbs) <u>6.0</u>	
Corona, 70,000 Ft (VRMS MIN) <u>375</u>	Radial (In/Oz) <u>N/A</u>	
Dielectric Withstanding Voltage (VRMS MIN) @ Sea Level <u>1500</u>	Cable Retention Axial Force (Lbs) <u>60 Lbs Min</u>	
Contact Resistance (Milliohms MAX) Center Contact <u>1.5</u>	Torque (In/Oz) <u>55 In Oz Min</u>	
Outer Contact <u>2.0</u>	Weight (Grams) <u>TBD</u>	
RF High Potential @ Sea Level (VRMS MIN @ 5 MHz) <u>1000</u>		
I.R.(Megohms MIN) <u>5000</u>		

1057159-1  
PART NUMBER

THIS DRAWING IS A CONTROLLED DOCUMENT.		DWN C.C.THOMAS 29MAR2012	TE Connectivity	
DIMENSIONS: INCHES		CHK W.MOYER 3-30-12	NAME	
TOLERANCES UNLESS OTHERWISE SPECIFIED:		APVD W.MOYER 3-30-12	BULKHEAD FEEDTHROUGH CABLE JACK ASSY N SERIES, DIRECT SOLDER ATTACHMENT	
0 PLC ± - 1 PLC ± - 2 PLC ± - 3 PLC ± .005 [0.13] 4 PLC ± - ANGLES ± 1°		PRODUCT SPEC 408-04911	SIZE A2	CAGE CODE 00779
MATERIAL SEE TABLE	FINISH SEE TABLE	APPLICATION SPEC -	DRAWING NO C=1057159	RESTRICTED TO -
CUSTOMER DRAWING		WEIGHT -	SCALE 4:1	SHEET 1 of 1
		REV B		