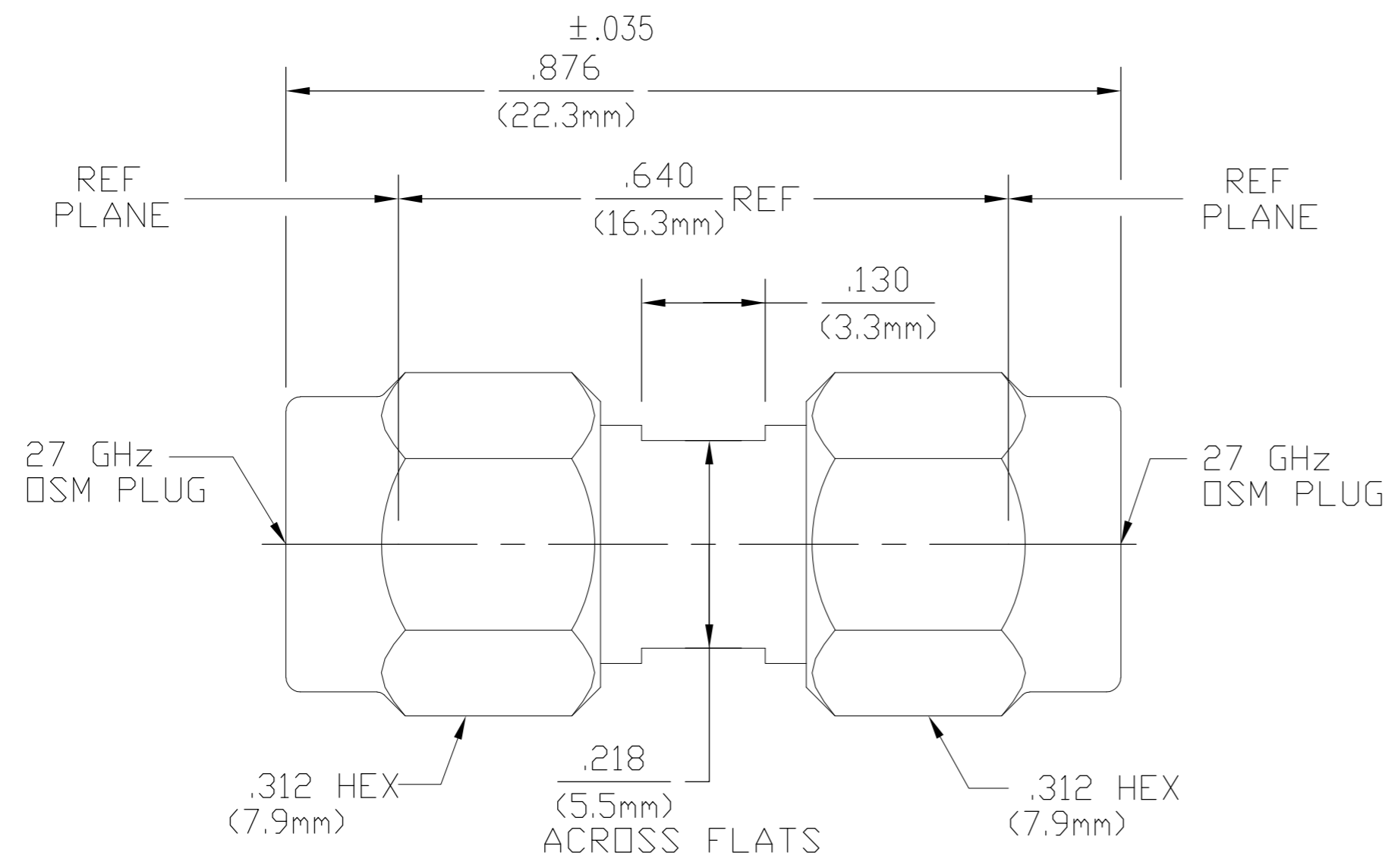


THIS DRAWING IS UNPUBLISHED. RELEASED FOR PUBLICATION
 © COPYRIGHT BY TYCO ELECTRONICS CORPORATION. ALL RIGHTS RESERVED.

LOC	DIST	REVISIONS			
P	LTR	DESCRIPTION	DATE	DWN	APVD
AJ	00	B	REV PER ECO 07-004710	3/2/2007	DW KW



1056336-1
 PART NUMBER

ELECTRICAL	MECHANICAL	ENVIRONMENTAL
Nominal Impedance (Ohms) 50	Interface Dimensions MIL-STD-348A, Fig. N/A	TEMPERATURE RATING -65°C TO +165°C
Frequency Range (GHz) DC to 27.0	Recommended Mating Torque 7 to 10 in-lbs	Vibration MIL-STD-202, Method 204, Condition D.
Volt Rating (VRMS MAX) @ Sea Level 335	Mating Characteristics: Insertion (MAX Lbs) N/A	Shock MIL-STD-202, Method 213, Condition I
VSWR 1.05 ±.005 F(GHZ)	Withdrawal (MIN Oz) N/A	Thermal Shock MIL-STD-202, Method 107, Condition C, Except High Temp
Insertion Loss (dB MAX) .06 √F(GHZ)	Force to Engage and Disengage (In-Lbs MAX) 2.0	Moisture Resistance MIL-STD-202, Method 106
RF Leakage (dB MIN) 60	Center Contact Captivation Axial (Lbs) 10.0	Corrosion - MIL-STD-202, Method 101, Condition B, 5% salt spray
Corona, 70,000 Ft (VRMS MIN) 250	Radial (In-Oz) 4.0	
Dielectric Withstanding Voltage (VRMS MIN) @ Sea Level 1,500	Cable Retention Axial Force (Lbs) N/A	
Contact Resistance (Milliohms MAX) Center Contact 4.0	Torque (In-Oz) N/A	
Outer Contact 2.0	Weight (Grams) N/A	
Cable to Housing N/A		
RF High Potential @ Sea Level (VRMS MIN @ 5 MHz) 670		
I.R.(Megohms MIN) 5,000		

COMPONENT	MATERIAL	FINISH
HOUSING COUPLING NUT	STAINLESS STEEL PER ASTM-A484 AND ASTM-A582, TYPE 303	PASSIVATE PER ASTM-A380
DIELECTRIC	TFE FLUOROCARBON PER ASTM-D-1457	N/A
CENTER CONTACT	BERYLLIUM COPPER PER ASTM B 196, ALLOY C17300, CONDITION H OR BRASS PER ASTM-B-16	GOLD PLATE PER MIL-G-45204 OVER COPPER PLATE PER MIL-C-14550
RETAINING RING	BERYLLIUM COPPER PER ASTM B 194, ALLOY C17200, CONDITION H	N/A
GASKET	SILICONE RUBBER PER ZZ-R-765	N/A

THIS DRAWING IS A CONTROLLED DOCUMENT.

DWN R.R.	9-7-79	 Tyco Electronics Corporation Harrisburg, PA 17105-3608
CHK RD SMITH	7-10-79	
APVD RME	7-11-79	
PRODUCT SPEC		
APPLICATION SPEC		NAME OSM HIGH FREQUENCY (27GHz) PLUG TO PLUG ADAPTER
MATERIAL	FINISH	SIZE A2 CAGE CODE 00779 DRAWING NO C=1056336 RESTRICTED TO
		WEIGHT - SCALE 10:1 SHEET 1 of 1 REV B

CUSTOMER DRAWING