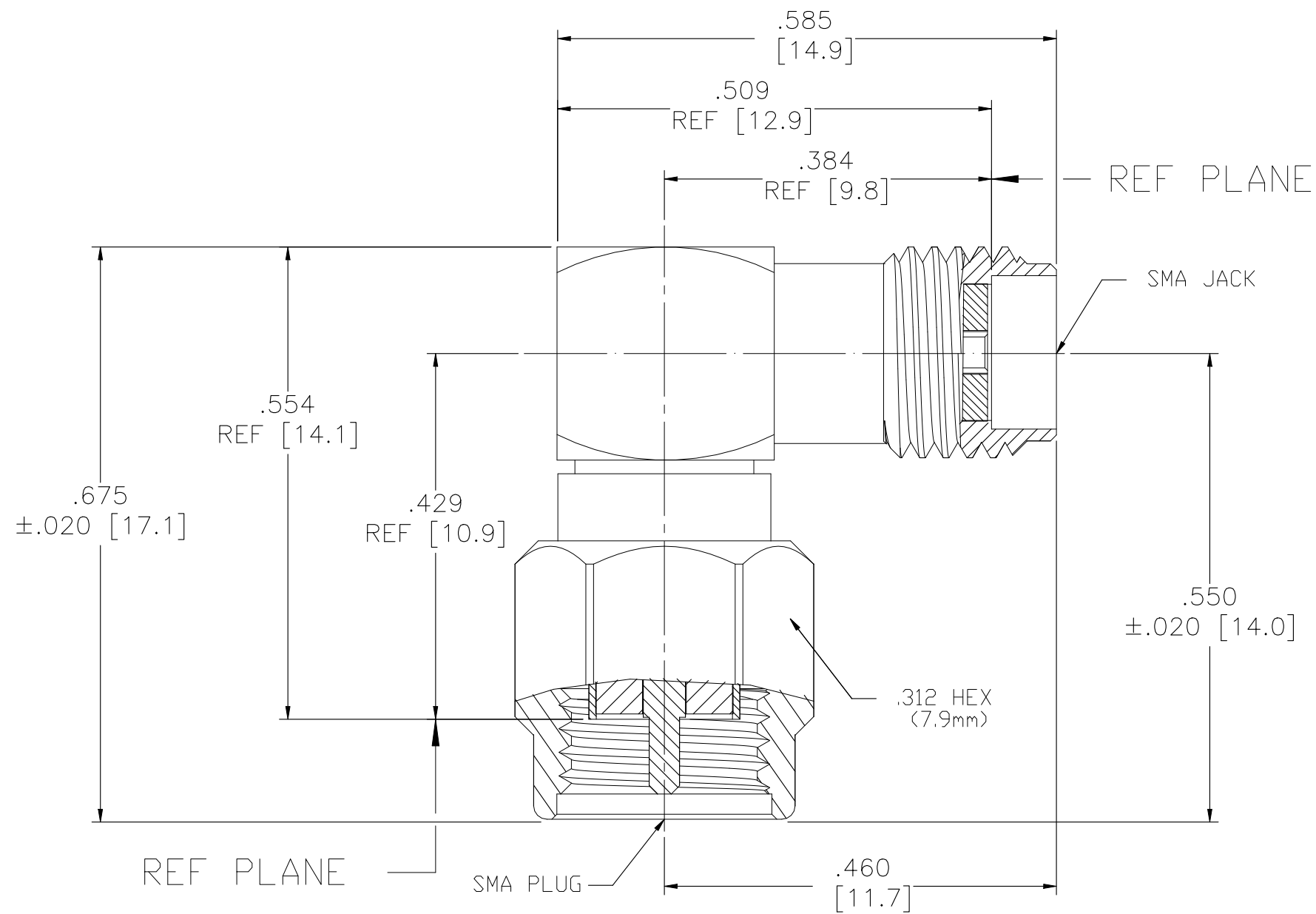


© - TE Connectivity. All Rights Reserved.

REVISIONS

P	LTR	DESCRIPTION	DATE	DWN	APVD
	B1	REVISED PER ECR-21-103794	03JUN2021	RS	WK



ELECTRICAL	
Nominal Impedance (Ohms)	50
Frequency Range (GHz) DC to	18
Volt Rating (VRMS MAX) @ Sea Level	335
VSWR	1.15 + .015(fGHz)
Insertion Loss (dB MAX) .06√f(GHz)	
RF Leakage (dB MIN) -90-f(GHz)	
Corona, 70,000 Ft (VRMS MIN)	250
Dielectric Withstanding Voltage (VRMS MIN) @ Sea Level	1000
Contact Resistance (Milliohms MAX) Center Contact	2
Outer Contact	2
Cable to Housing	N/A
RF High Potential @ Sea Level (VRMS MIN @ 5 MHz)	670
I.R.(Megohms MIN)	10,000

MECHANICAL	
Interface Dimensions MIL-STD-348A, Fig. 310.1..2	
Recommended Mating Torque	7 to 10
Mating Characteristics:	
Insertion (MAX Lbs)	3
Withdrawal (MIN Oz)	1
Force to Engage and Disengage (In-Lbs MAX)	2
Center Contact Captivation Axial (Lbs)	6
Radial (In-Oz)	4
Cable Retention Axial Force (Lbs)	N/A
Torque (In-Oz)	N/A
Weight (Grams)	TBD

ENVIRONMENTAL	
TEMPERATURE RATING	-65°C TO +125°C
Vibration MIL-STD-202, Method 204, Condition D	
Shock MIL-STD-202, Method 213, Condition I	
Thermal Shock MIL-STD-202, Method 107, Condition B, Except High Temp	
Moisture Resistance MIL-STD-202, Method 106	
Corrosion - MIL-STD-202, Method 101, Condition B, 5% salt spray	

.XXX = in
 XX.X = mm

THIS DRAWING IS A CONTROLLED DOCUMENT.

DIMENSIONS:	TOLERANCES UNLESS OTHERWISE SPECIFIED:
INCHES	
0 PLC	± -
1 PLC	± -
2 PLC	± -
3 PLC	± -
4 PLC	± -
ANGLES	± -
FINISH	

QUANTITY PER ASSY	PARTS LIST
1	PASSIVATE STAINLESS STEEL CAP 7
1	- SILICONE RUBBER GASKET 6
1	- BeCu RETAINING RING 5
1	PASSIVATE STAINLESS STEEL COUPLING NUT 4
1	PASSIVATE STAINLESS STEEL HOUSING 3
1	- PTFE INSULATION 2
1	Au BeCu CENTER CONTACT 1
-1	PLATING MATERIAL DESCRIPTION ITEM

DWN G.BEERS 8/18/81		TE Connectivity	
CHK RMF 8/21/81			
APVD JS 8/21/81		NAME	
PRODUCT SPEC		SMA RIGHT ANGLE PLUG TO JACK ADAPTER (2088-1230-02)	
APPLICATION SPEC		RESTRICTED TO	
WEIGHT -	SIZE A3	CAGE CODE 00779	DRAWING NO C-1055070
CUSTOMER DRAWING		SCALE 6:1	SHEET 1 OF 1
		REV B1	