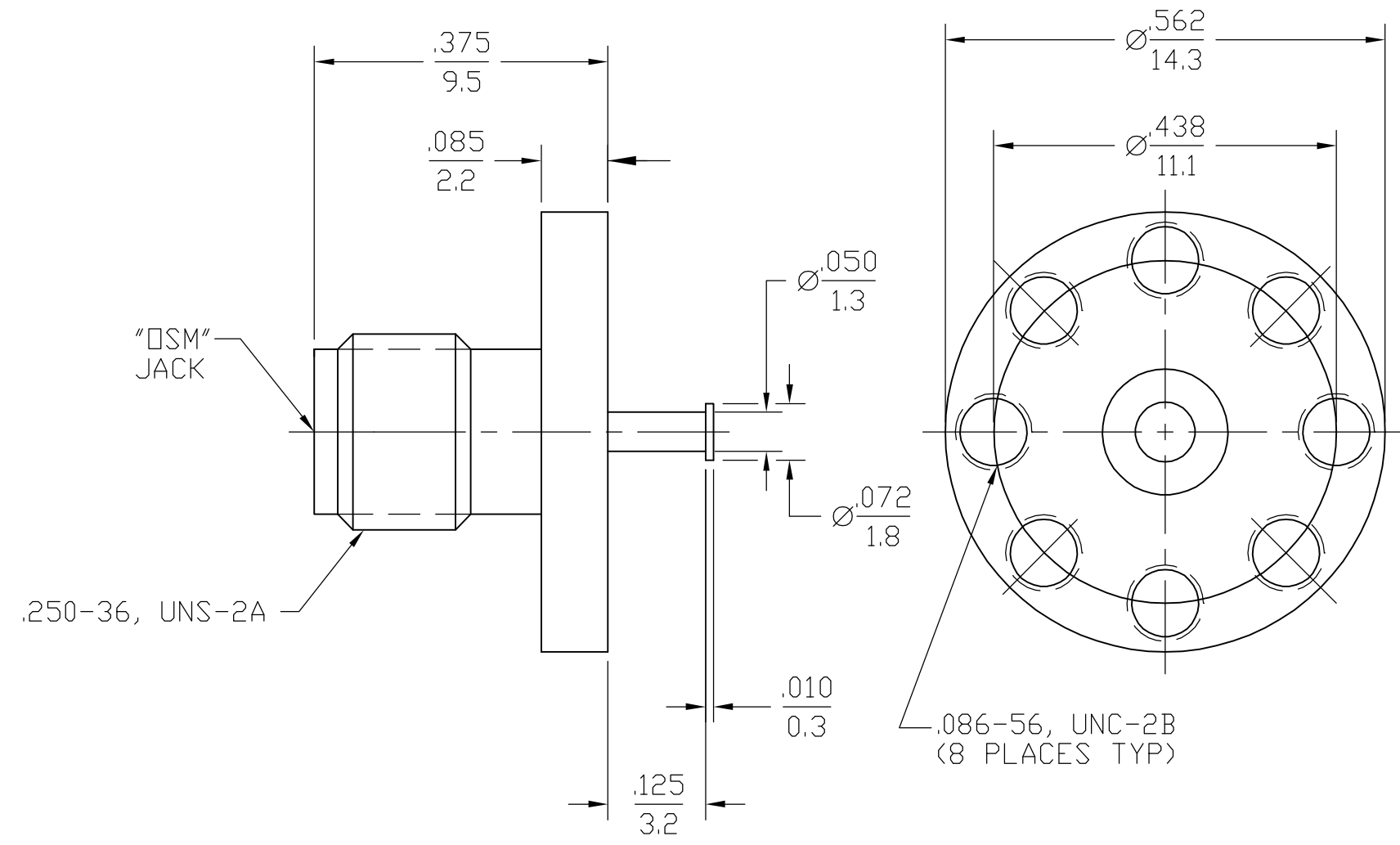


THIS DRAWING IS UNPUBLISHED. RELEASED FOR PUBLICATION
 © COPYRIGHT BY TYCO ELECTRONICS CORPORATION. ALL RIGHTS RESERVED.

LOC	DIST	REVISIONS			
P	LTR	DESCRIPTION	DATE	DWN	APVD
AJ	16	B1	REVISED PER ECO-05-008907	12SEP05	BM KW

- NON-CAPTIVATED CENTER CONTACT.
- DESIGNED FOR 1/4" THICK GROUND PLANE SPACING.



1053415-1
 PART NUMBER

HOUSING	STAINLESS STEEL PER ASTM-A484 AND ASTM-A582, TYPE 303	GOLD PLATE PER MIL-G-45204	THIS DRAWING IS A CONTROLLED DOCUMENT.		DWN BWC 6/7/67		Tyco Electronics Corporation Harrisburg, PA 17105-3608		
DIELECTRIC	TFE FLUOROCARBON PER ASTM-D-1457	N/A	DIMENSIONS: INCHES	TOLERANCES UNLESS OTHERWISE SPECIFIED:	CHK PRB 6/7/67		NAME OSM SURFACE LAUNCH JACK STRIPLINE TURRET TERMINAL		
CENTER CONTACT	BERYLLIUM COPPER PER ASTM-B-196 OR ASTM-B-197, ALLOY C17300, CONDITION H	GOLD PLATE PER MIL-G-45204			APVD DN 6/7/67	PRODUCT SPEC			
COMPONENT	MATERIAL	FINISH	MATERIAL	FINISH	APPLICATION SPEC	SIZE A3	CAGE CODE 00779	DRAWING NO C-1053415-1	RESTRICTED TO
					WEIGHT -	SCALE 5:1		SHEET 1 of 1	REV B1
					CUSTOMER DRAWING				