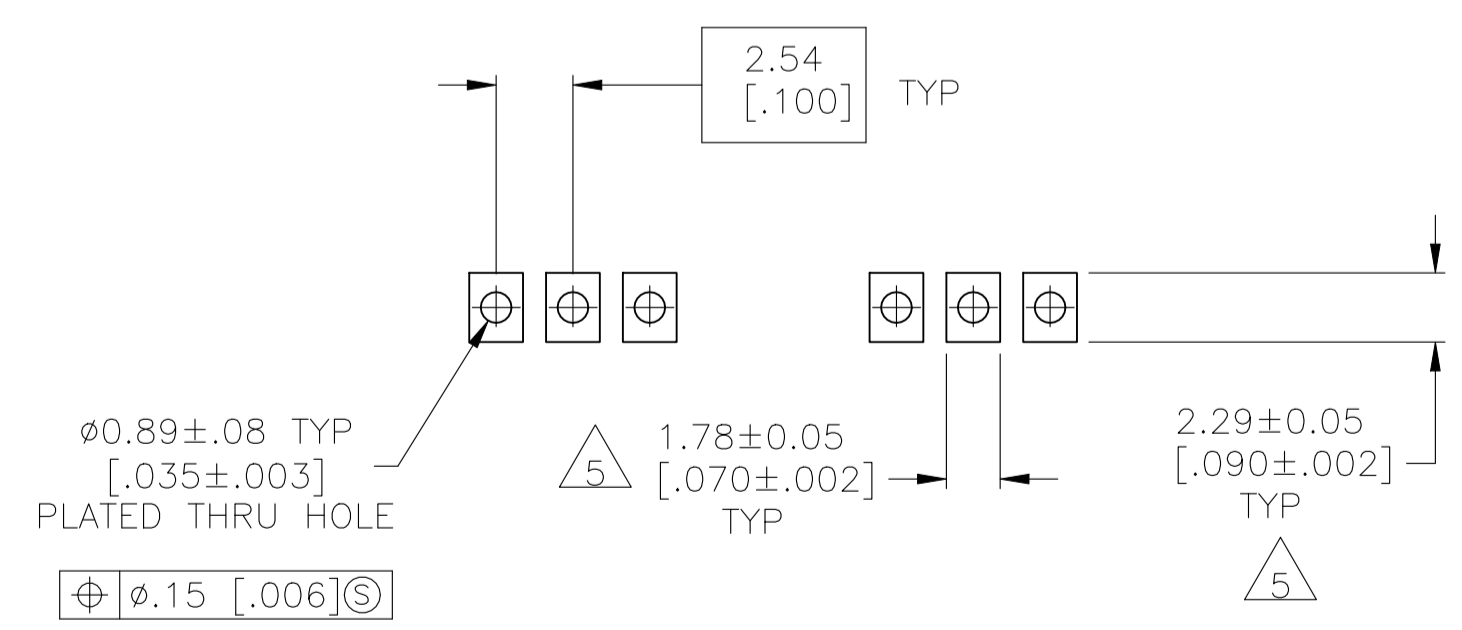
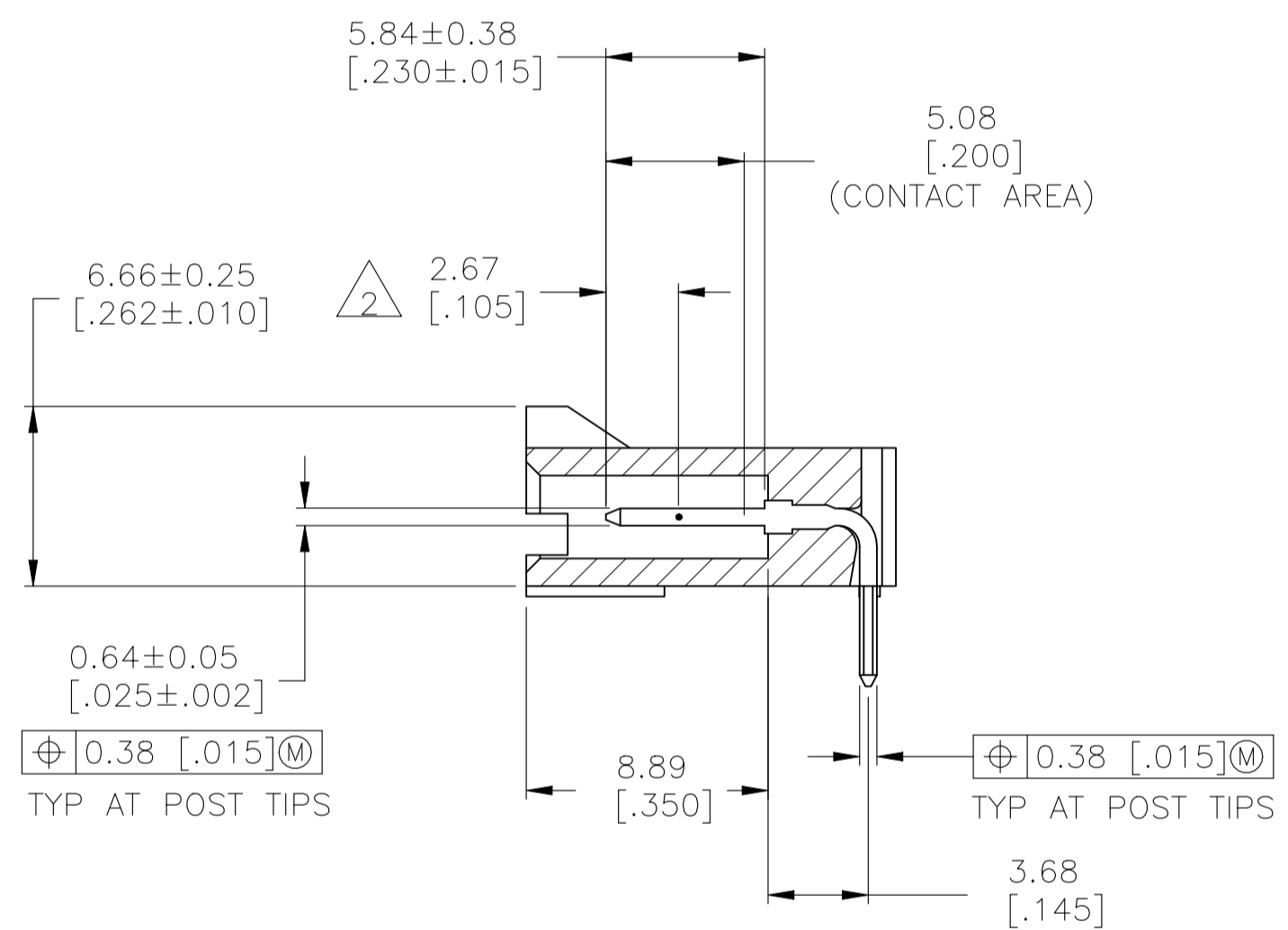
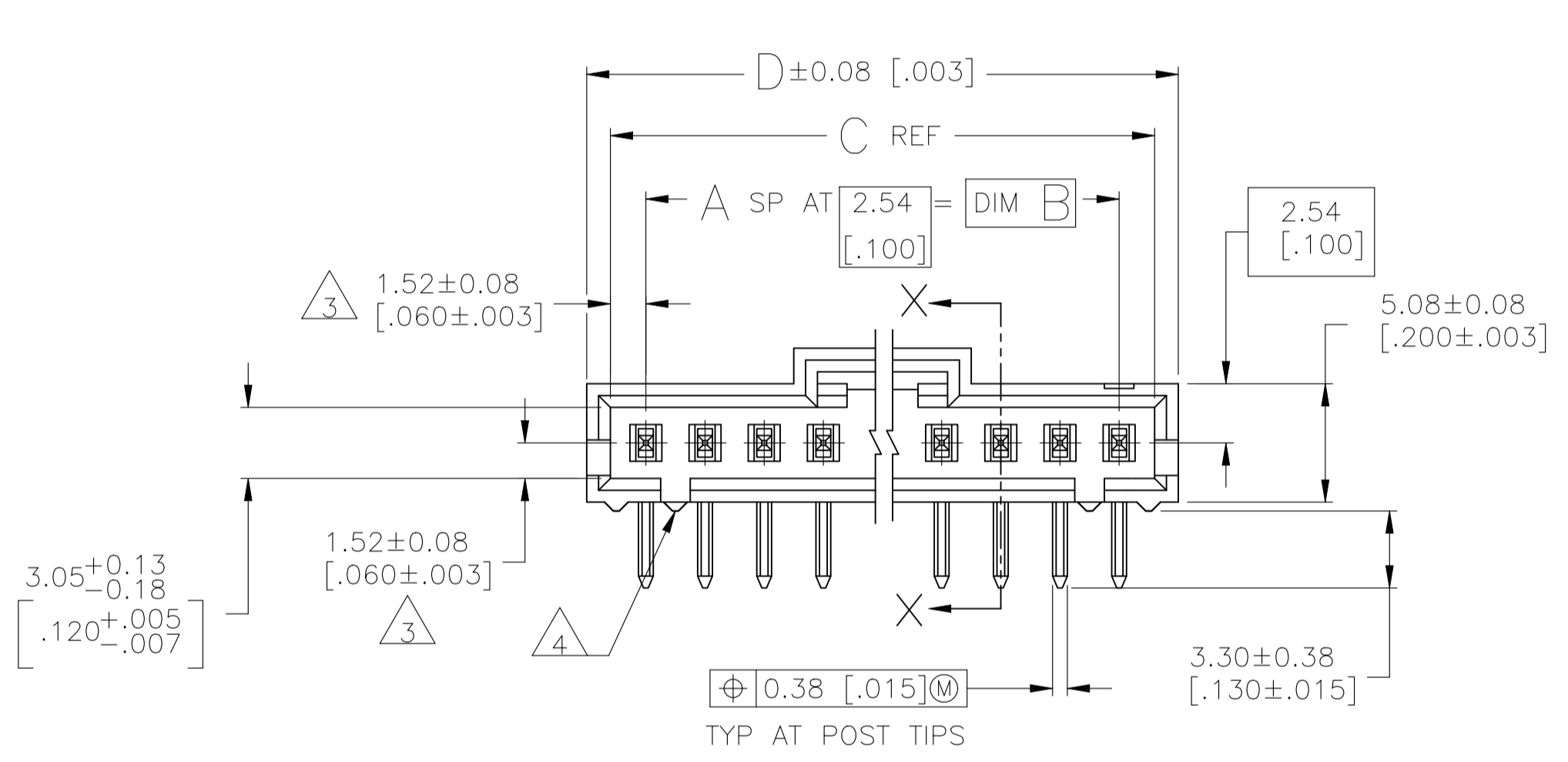
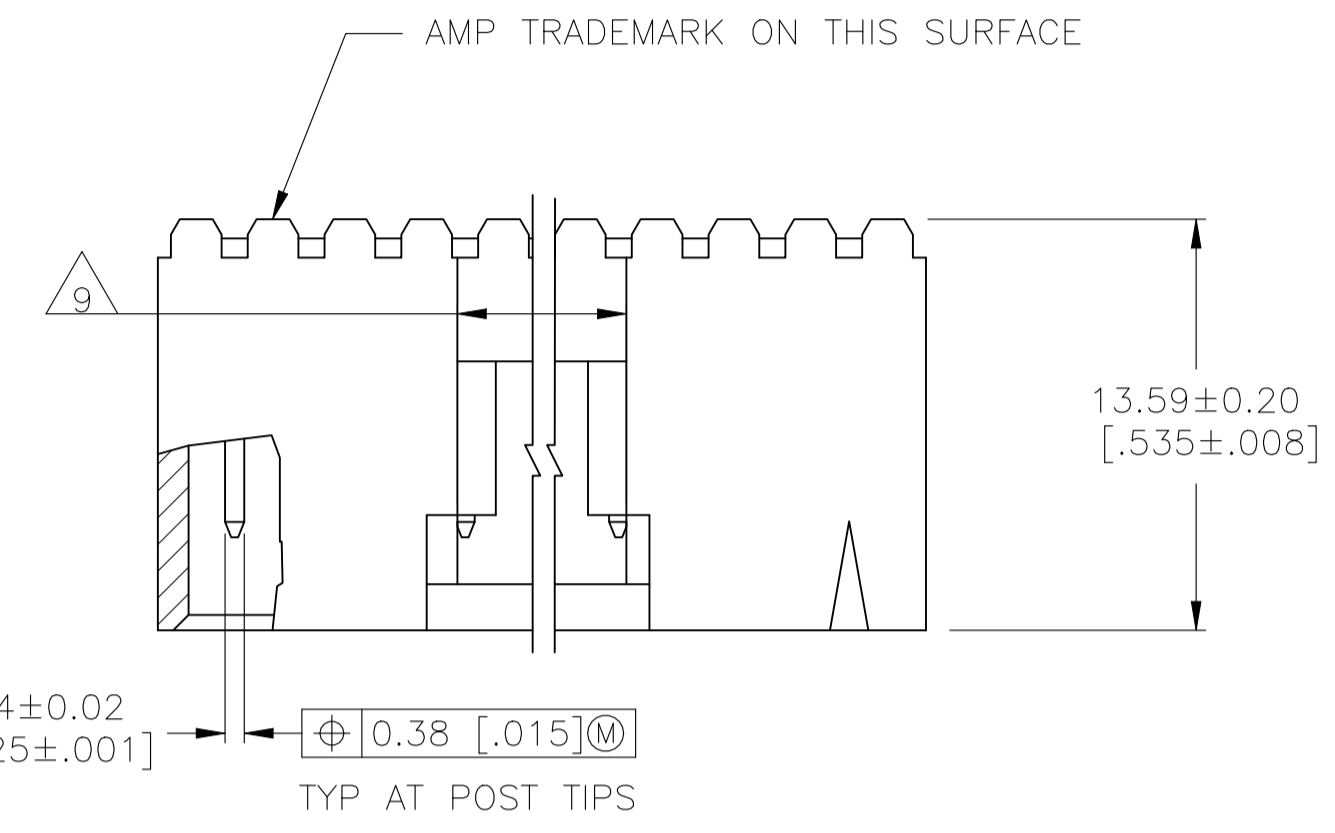


REVISIONS					
REV	DATE	DESCRIPTION	BY	CHK	APP'D
J1	29SEP2022	REVISED PER ECN-22-177079	RK	MF	

- 1 .00076[.000030] GOLD IN THE CONTACT AREA, .00254[.000100]-.00508[.000200] MATTE TIN-LEAD ON THE SOLDER TAIL, ALL OVER .00127[.000050] NICKEL
- 2 POINT OF MEASUREMENT FOR PLATING THICKNESS
- 3 THE NOTED DIMENSIONS APPLY FROM THE BASIC DIMENSION LINE (NOT THE POST CENTERLINE) TO THE SURFACE INDICATED
- 4 ON ASSEMBLIES WITH FOUR OR MORE POSITIONS, TWO POLARIZATION SLOTS.
ON ASSEMBLIES WITH TWO OR THREE POSITIONS, ONE POLARIZATION SLOT.
- 5 DIMENSIONS NOTED ARE FOR SOLDER STENCIL LAYOUT FOR USE WITH A 1.57±0.20 [.062±.008] THICK PRINTED CIRCUIT BOARD
- 6 MATERIAL: HOUSING - HIGH TEMPERATURE LCP
COLOR: BLACK
POSTS - BRASS
- 7 .00076[.000030] GOLD IN THE CONTACT AREA, .00254[.000100]-.00508[.000200] MATTE TIN ON THE SOLDER TAIL, ALL OVER .00127[.000050] NICKEL
- 8 OBSOLETE PARTS: OBSOLETE CIS STREAMLINING PER D.RENAUD/D.SINISI
- 9 0.25 [.010] RECESS PERMISSIBLE IN THIS AREA FOR MOLD SHUT OFF



RECOMMENDED PC BOARD MOUNTING DIMENSIONS
RECOMMENDED STENCIL THICKNESS = 0.25 [.010]

PLATING	D	C	B	A	NO OF POSN	PART NUMBER
7	2.595	2.520	2.400	24	25	7-104935-4
7	2.495	2.420	2.300	23	24	7-104935-3
7	2.395	2.320	2.200	22	23	7-104935-2
7	2.295	2.220	2.100	21	22	7-104935-1
7	2.195	2.120	2.000	20	21	7-104935-0
7	2.095	2.020	1.900	19	20	6-104935-9
7	1.995	1.920	1.800	18	19	6-104935-8
7	1.895	1.820	1.700	17	18	6-104935-7
7	1.795	1.720	1.600	16	17	6-104935-6
7	1.695	1.620	1.500	15	16	6-104935-5
7	1.595	1.520	1.400	14	15	6-104935-4
7	1.495	1.420	1.300	13	14	6-104935-3
7	1.395	1.320	1.200	12	13	6-104935-2
7	1.195	1.120	1.000	10	11	6-104935-1
7	1.095	1.020	.900	9	10	6-104935-0
7	.995	.920	.800	8	9	5-104935-9
7	.795	.720	.600	6	7	5-104935-8
7	.695	.620	.500	5	6	5-104935-7
7	.595	.520	.400	4	5	5-104935-6
7	7.49 [.295]	5.59 [.220]	2.54 [.100]	1	2	5-104935-5
7	32.89 [1.295]	30.99 [1.220]	27.94 [1.100]	11	12	5-104935-4
7	10.03 [.395]	8.13 [.320]	5.08 [.200]	2	3	5-104935-3
7	22.73 [.895]	20.83 [.820]	17.78 [.700]	7	8	5-104935-2
7	12.57 [.495]	10.67 [.420]	7.62 [.300]	3	4	5-104935-1
1	7.49 [.295]	5.59 [.220]	2.54 [.100]	1	2	104935-5
1	32.89 [1.295]	30.99 [1.220]	27.94 [1.100]	11	12	104935-4
1	10.03 [.395]	8.13 [.320]	5.08 [.200]	2	3	104935-3
1	22.73 [.895]	20.83 [.820]	17.78 [.700]	7	8	104935-2
1	12.57 [.495]	10.67 [.420]	7.62 [.300]	3	4	104935-1

8 SUPERSEDED BY 5-104935-1

THIS DRAWING IS A CONTROLLED DOCUMENT.

DIN E. BRANDBERG 27-JUL-95
CHK J. GESFORD 27-JUL-95
AP'D D. DUPLER 27-JUL-95

TE Connectivity

NAME: HEADER ASSY, AMPMODU MTE, RIGHT ANGLE, SINGLE ROW, .100CL, .025 SQ POSTS, WITH LATCH

SIZE: A1 CAGE CODE: 100779 DRAWING NO: 104935

WEIGHT: --

CUSTOMER DRAWING

SCALE: 4:1 SHEET 1 OF 1 REV J1