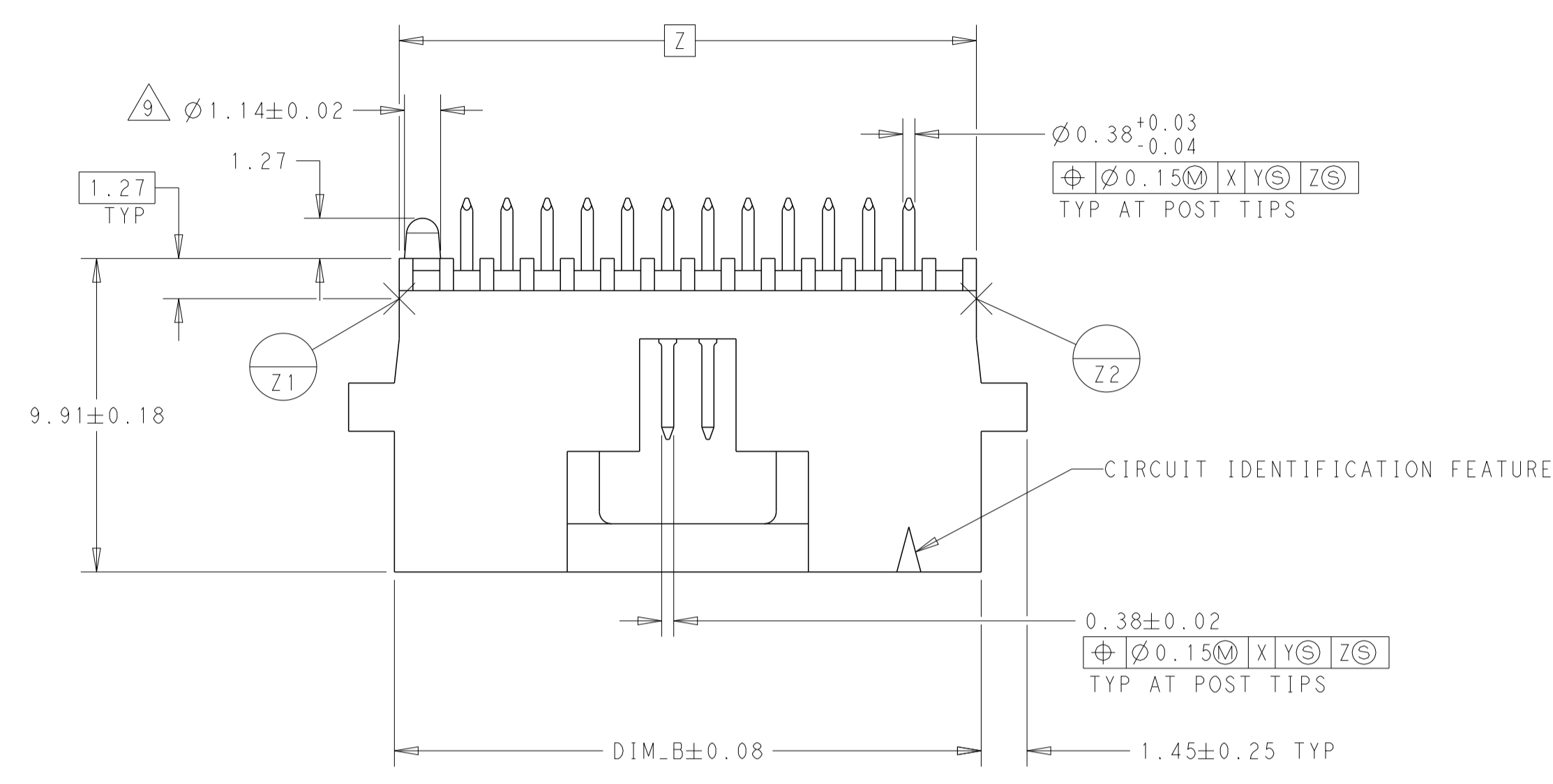
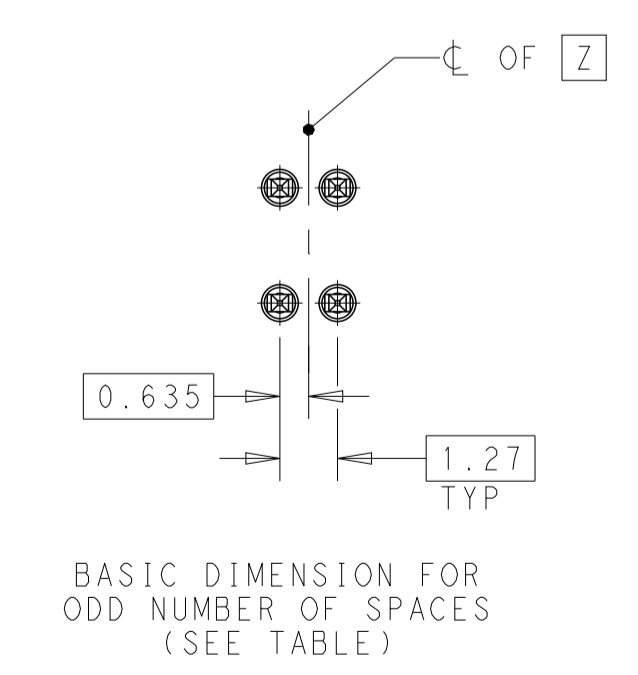
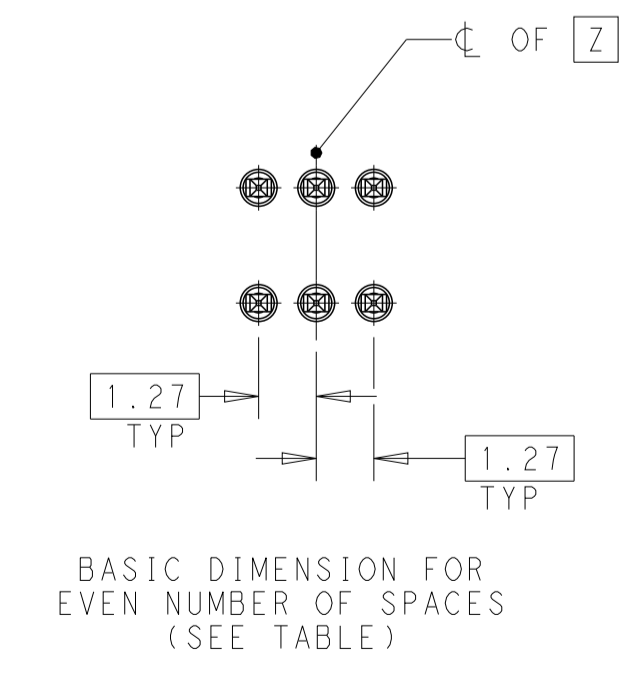
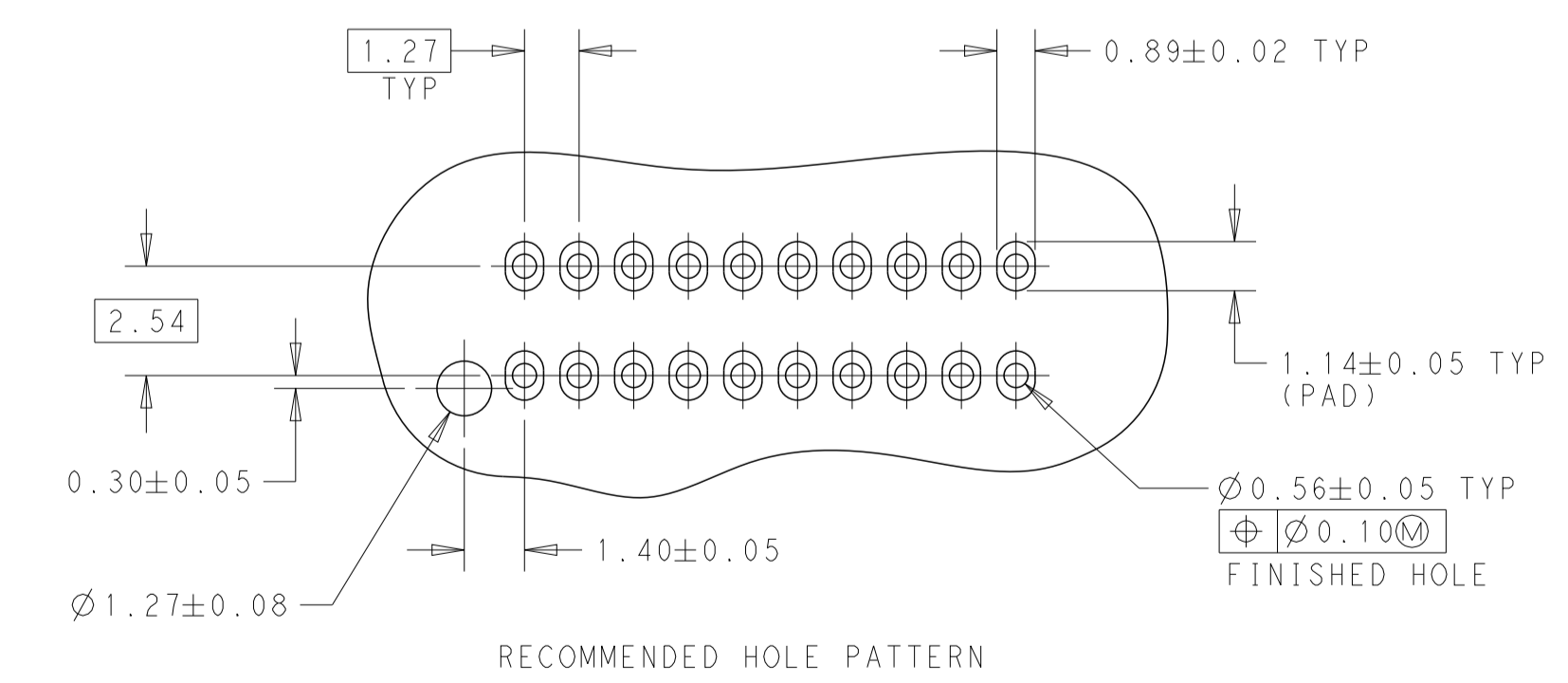
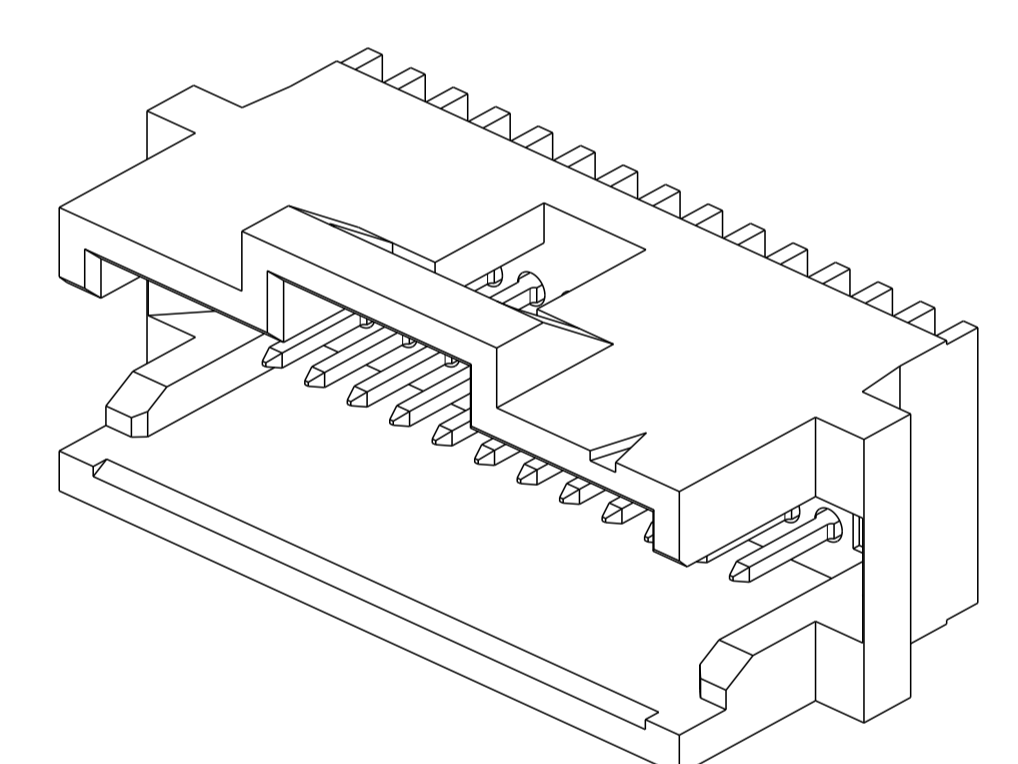
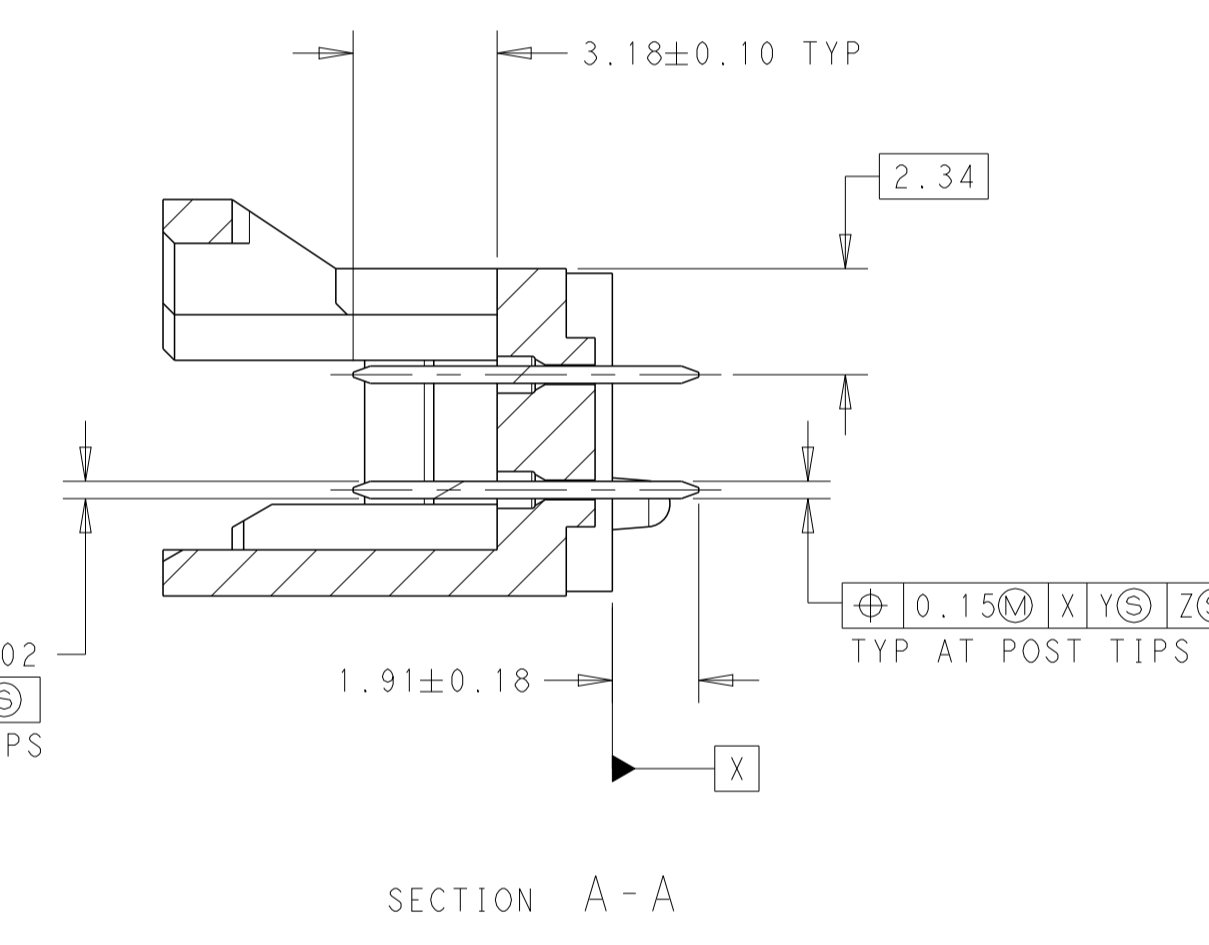
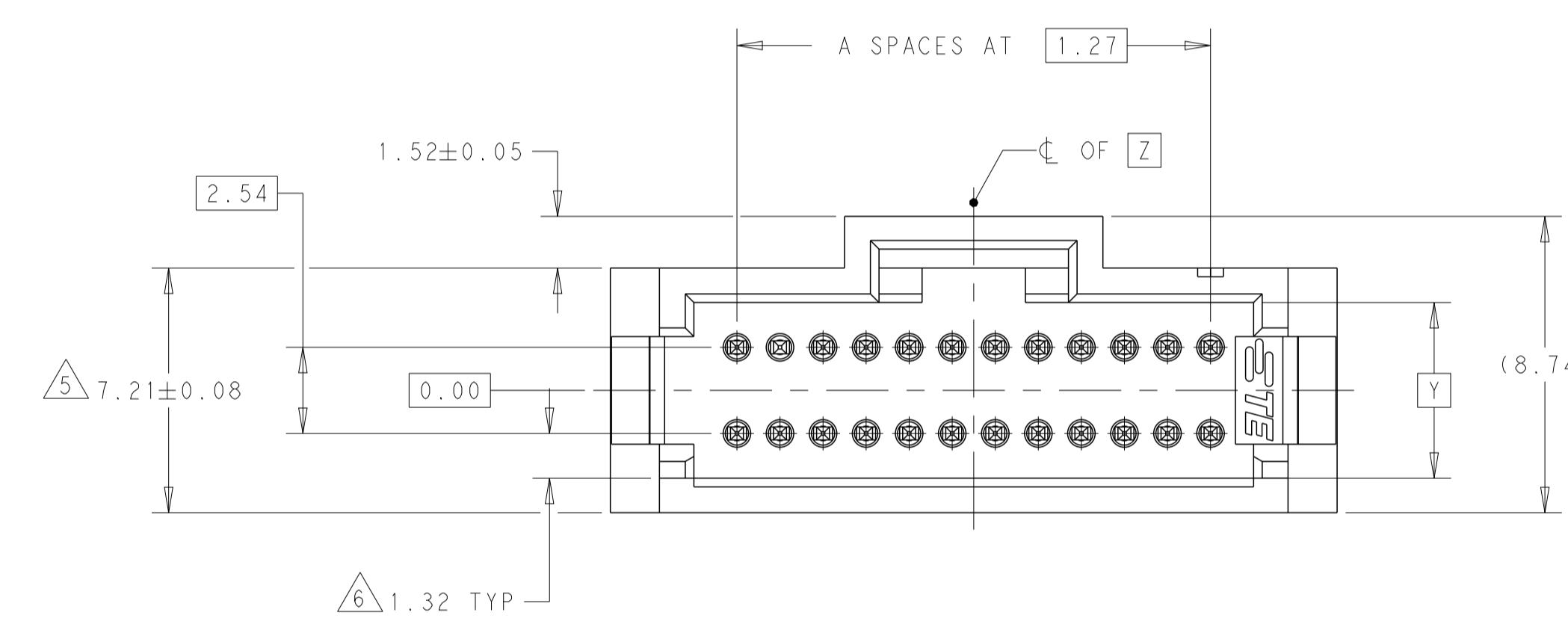


REVISIONS				
P	LTN	DESCRIPTION	DATE	APVD
L		REDRAWN/REVISED PER ECO-17-001755	21NOV2017	GR JO



- 1 HOUSING: FLAME RETARDANT LCP, COLOR-BLACK
- 2 CONTACTS: COPPER ALLOY
- 3 CONTACT AREA PLATED WITH 0.76µm MIN GOLD; SOLDER TAILS PLATED WITH 3.81µm MIN TIN-LEAD, ALL OVER 1.27µm MIN NICKEL
- 4 NOTE DELETED.
- 5 DIMENSION APPLIES AT BASE OF SHROUD.
- 6 THE NOTED DIMENSIONS APPLY AT THE INTERSECTION OF THE POST AND HOUSING.
- 7 NOTE DELETED.
- 8 SAME AS 104864-1 EXCEPT PACKAGED ON G-PAX REELS.
- 9 DIMENSION FOR DIAMETER OF PEG APPLIES AT INTERSECTION OF THE TOP OF RIBS AND BASE OF PEG.
- 10 CONTACT AREA PLATED WITH 0.76µm MIN GOLD; SOLDER TAILS PLATED WITH 3.81µm MIN TIN, ALL OVER 1.27µm MIN NICKEL.
- 11 FINISH: 0.03µm MIN GOLD ON GOLD PLATED AREA, 3.81µm MATTE TIN LEAD ON TIN PLATE AREA. UNDER PLATING SHOULD BE 1.27µm NICKEL ON ENTIRE CONTACT, GOLD AND TIN PLATING MAY NOT OVERLAP.
- 12 FINISH: 0.03µm MIN GOLD ON GOLD PLATED AREA, 3.81µm MATTE TIN ON TIN PLATE AREA. UNDER PLATING SHOULD BE 1.27µm NICKEL ON ENTIRE CONTACT, GOLD AND TIN PLATING MAY NOT OVERLAP.
- 13 NOTE DELETED.
- 14 NOTE DELETED.
- 15 NOTE DELETED.



12	19.81	12	26	7-104864-5
	23.25	14	30	7-104864-4
	49.02	35	72	7-104864-3
	-	-	-	7-104864-2
10	41.40	29	60	7-104864-1
	19.81	12	26	5-104864-5
	23.25	14	30	5-104864-4
	49.02	35	72	5-104864-3
	-	-	-	5-104864-2
	41.40	29	60	8 5-104864-1
FINISH	DIM_B	DIM_A	NO OF POSN	PART NUMBER

11	19.81	12	26	2-104864-5
	23.25	14	30	2-104864-4
	49.02	35	72	2-104864-3
	-	-	-	2-104864-2
3	41.40	29	60	2-104864-1
	19.81	12	26	104864-5
	23.25	14	30	104864-4
	49.02	35	72	104864-3
	-	-	-	104864-2
	41.40	29	60	8 104864-1
FINISH	DIM_B	DIM_A	NO OF POSN	PART NUMBER

THIS DRAWING IS A CONTROLLED DOCUMENT.

DIMENSIONS: mm

TOLERANCES UNLESS OTHERWISE SPECIFIED:

0 PLC	±0.3
1 PLC	±0.13
2 PLC	±0.13
3 PLC	±0.13
4 PLC	±0.13
ANGLES	±0.5°

MATERIAL: SEE TABLE

FINISH: SEE TABLE

OWN: G. RAMESH 21NOV2017
 CH: J. OLSON 21NOV2017
 APVD: J. OLSON 21NOV2017

NAME: HEADER ASSEMBLY, VERTICAL, SHROUDED, DUAL ROW W/SIDE AND END LATCHED, AMPMODU System 50

PRODUCT SPEC: 108-1093

APPLICATION SPEC: 114-25031

WEIGHT: -

SIZE: A100779

CAGE CODE: 104864

DRAWING NO: 104864

RESTRICTED TO: -

CUSTOMER DRAWING

SCALE: 6:1

SHEET: 1 OF 1

REV: L