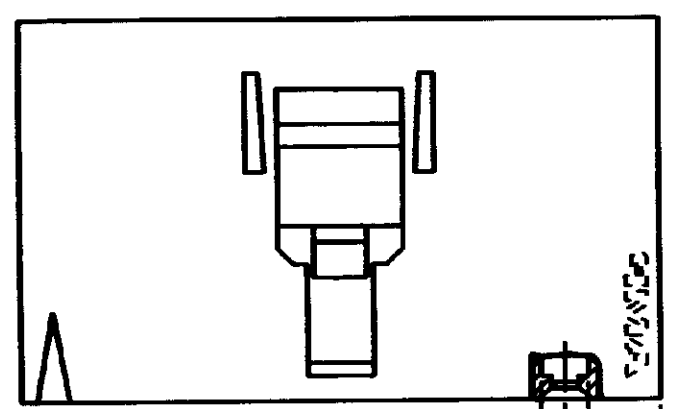
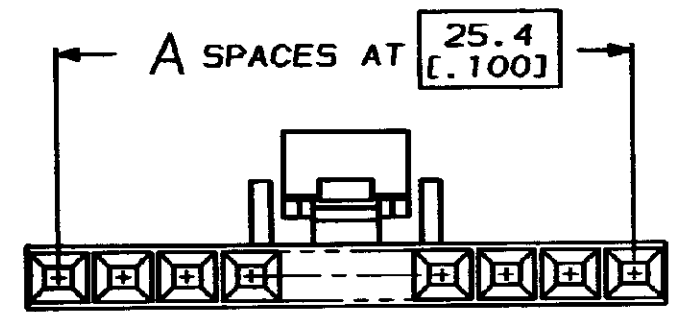


DRAWING MADE IN THIRD ANGLE PROJECTION
 THIS DRAWING IS UNPUBLISHED. RELEASED FOR PUBLICATION .19
 © COPYRIGHT 19 BY AMP INCORPORATED. ALL INTERNATIONAL RIGHTS RESERVED.

REV	LOC	DIST	P	F	ZONE	LTR	DESCRIPTION	DATE	APPD
34	AD	39				D	RELEASED -15, -24	01-90	KIH
						A	REV PER AD-4592	5-10-90	GA

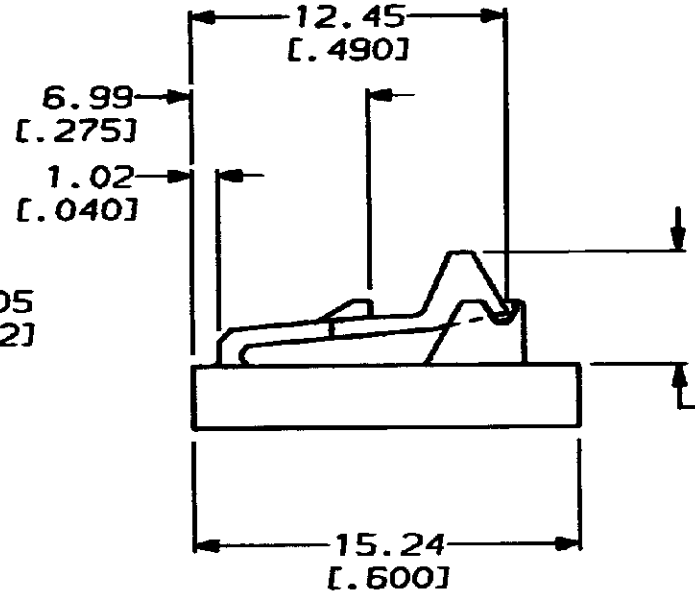


± 2.34 [.010] M
 TYP
 B $\pm .05$ [.002]



A SPACES AT 25.4 [.100]

2.49 $\pm .05$ [.098 $\pm .002$]



6.99 [.275]
 1.02 [.040]

12.45 [.490]

15.24 [.600]

4.50 ± 3.81 [.177 $\pm .015$]

OBsolete

63.450 [2.498]	24	25	2-104667-4
40.590 [1.598]	15	16	1-104667-5
B	A	NO OF POSN	PART NUMBER

METRIC

DO NOT SCALE PRINT. UNLESS SPECIFIED DIMENSIONS IN mm [INCHES]		PART NO	
TOLERANCES ON: 2 PLC DEC \pm - 3 PLC DEC \pm 1.27[.005] ANGLES \pm -		AMP INCORPORATED Harrisburg, Pa. 17105	
MATERIAL FLAME RETARDANT THERMOPLASTIC COLOR: BLACK		NAME RCPT ASSY, AMPHODU [®] MTE, SINGLE ROW, .100 ϕ , LATCHED & W/O POLARIZATION RIBS, FOR #22-#26 AWG WIRE SIZE	
FINISH	DR 01/08/90 KATE HELM CHK 1-31-90 SCOTT A. SHUEY APPD 2-1-90 CAROLYN SINISI APPD 2-1-90 RON FELIX PRODUCT SPEC 108-25034	SIZE C	CAGE CODE 00779
	APPLICATION SPEC 114-25026	SCALE 4:1	DRAWING NO 104667
	WEIGHT		SHEET 1 OF 1

CUSTOMER DRAWING

104667

A

D

C

B

A

D

C

B

A