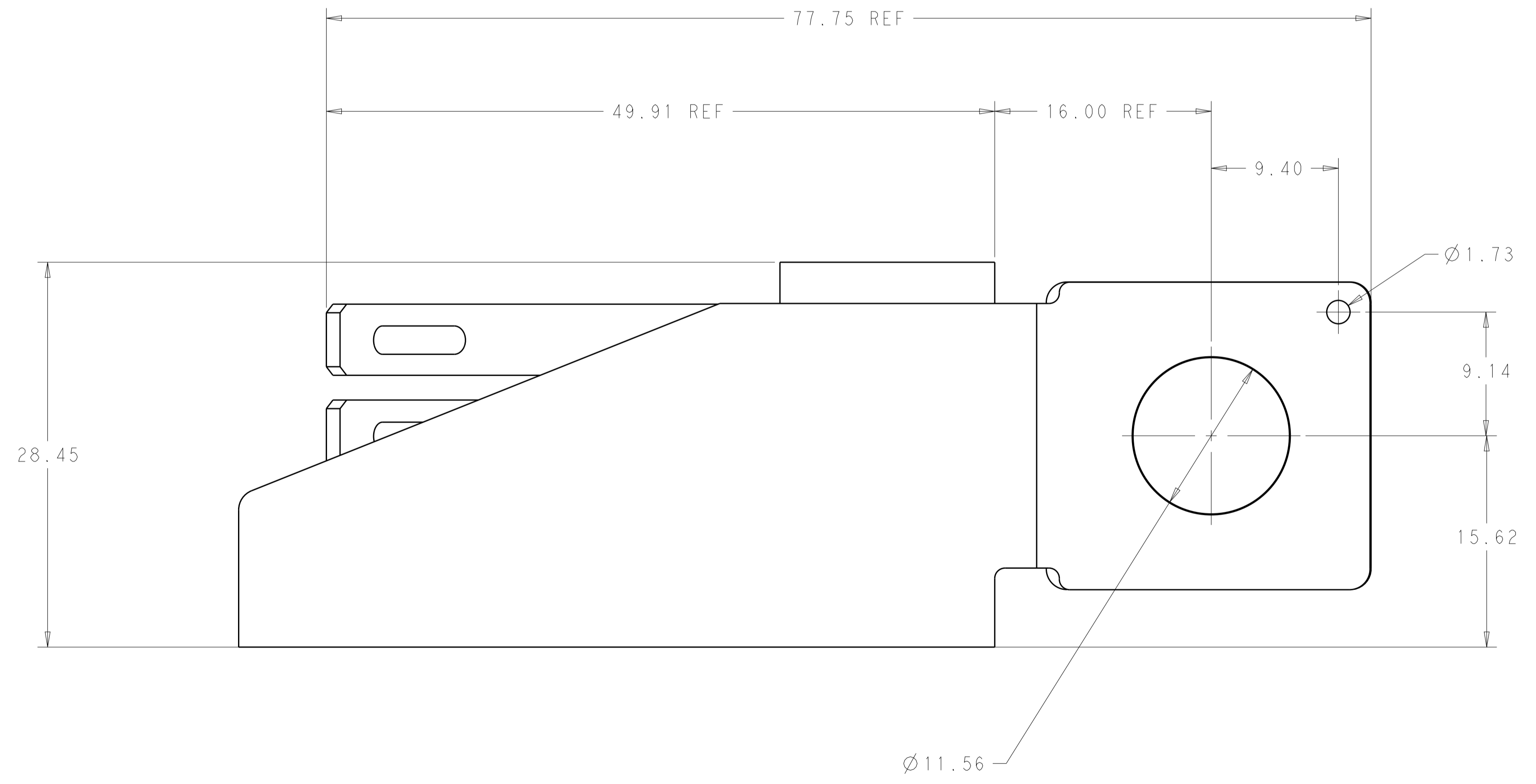
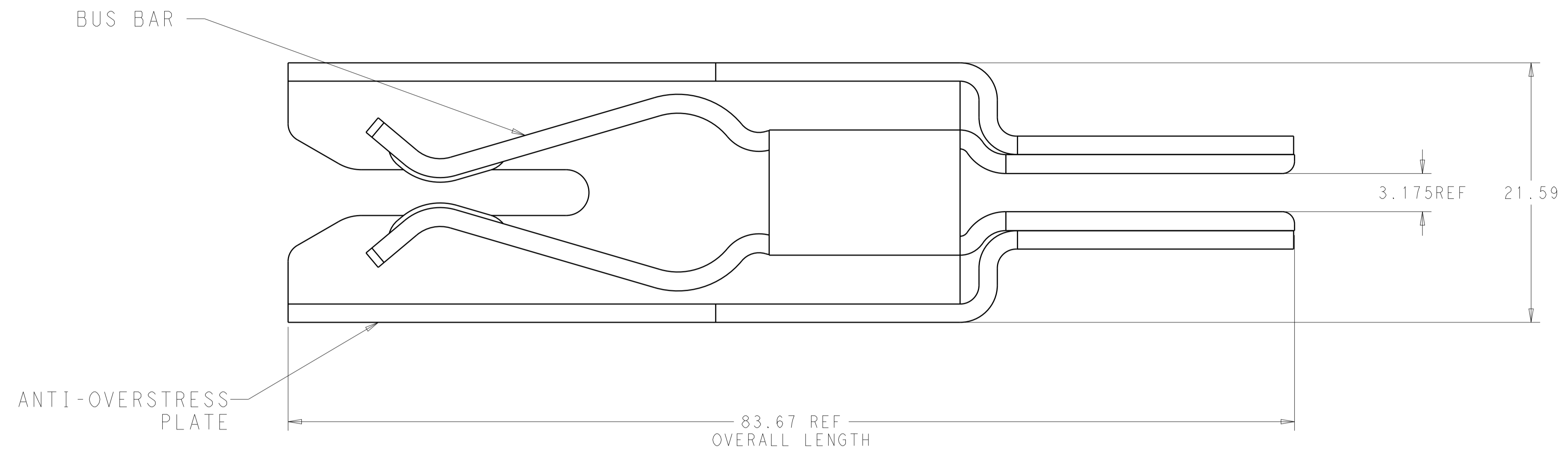


REVISIONS					
P.	LTN	DESCRIPTION	DATE	DMN	APVD
E		REVISION PER B6648	1992/04	MX	MX
E1		RELEASED IN NEW FORMAT	01MAY2016	ML	SZ
E2		REACTIVED	20JUL2020	ML	SZ

- ALL DIMENSIONS REFERENCE ONLY.
- MATERIAL:
BUS PLUG - HIGH CONNECTIVITY COPPER ALLOY
- FINISH:
SILVER PLATING OVER NICKEL PLATING ON CONTACT.
- COMPONENTS UNASSEMBLED IN A SEALED POLY BAG.
- MATED BUS BAR BOARD THICKNESS SHALL BE 3.175+/-0.05MM (.125+/-0.002 INCH)
DETAIL APPLICATION INFORMATION, PLEASE REFER TO APPLICATION SPEC 114-2111.



PLUGGABLE BUS BAR 125F2 POWER CONN	104501-1
DESCRIPTION	PART NUMBER

THIS DRAWING IS A CONTROLLED DOCUMENT.		DMN: MAC LIU 03FEB2016	TE Connectivity NAME: AMP PDS 125F2 BUS W/GUIDE PLUGGABLE BUS BAR POWER SERIES
DIMENSIONS: mm		CHK: SUNY ZHAO 03FEB2016	
TOLERANCES UNLESS OTHERWISE SPECIFIED:		APVD: SUNY ZHAO 03FEB2016	
0 PLC ±.8 1 PLC ±0.8 2 PLC ±0.50 3 PLC ±0.150 4 PLC ±. ANGLES ±.2°		PRODUCT SPEC: 108-1101 APPLICATION SPEC: 114-2111 WEIGHT: -	
MATERIAL:	FINISH:	CUSTOMER DRAWING	SIZE: A1 CAGE CODE: 00779 DRAWING NO: 104501 RESTRICTED TO: - SCALE: 1:1 SHEET 1 OF 1 REV: E2