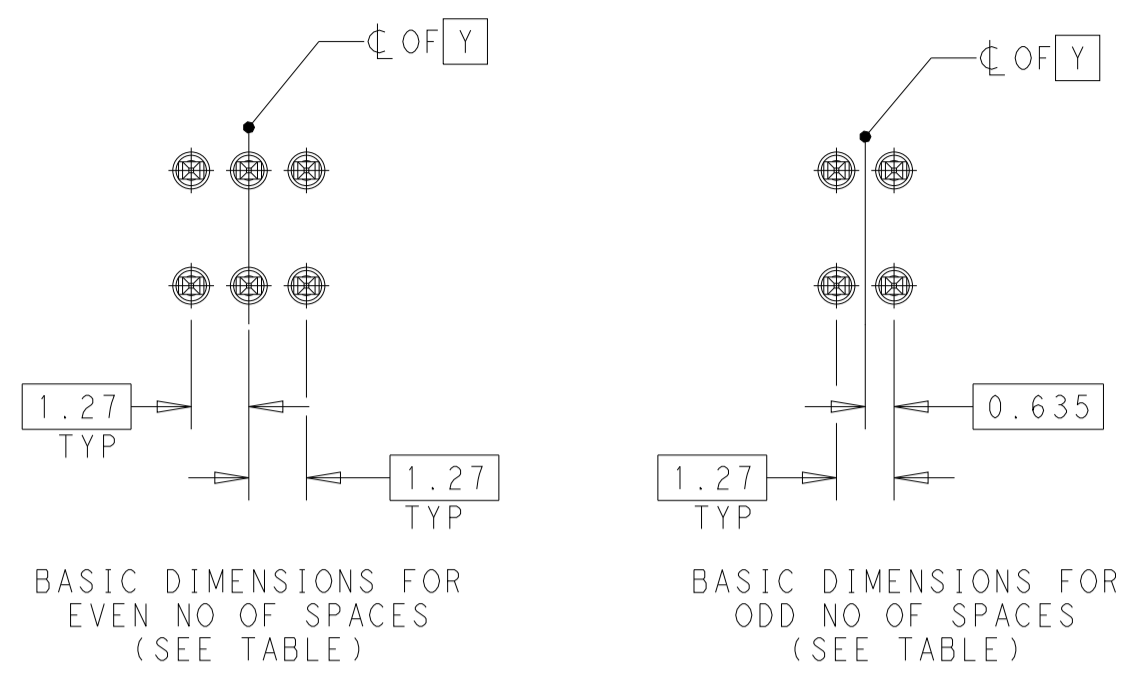
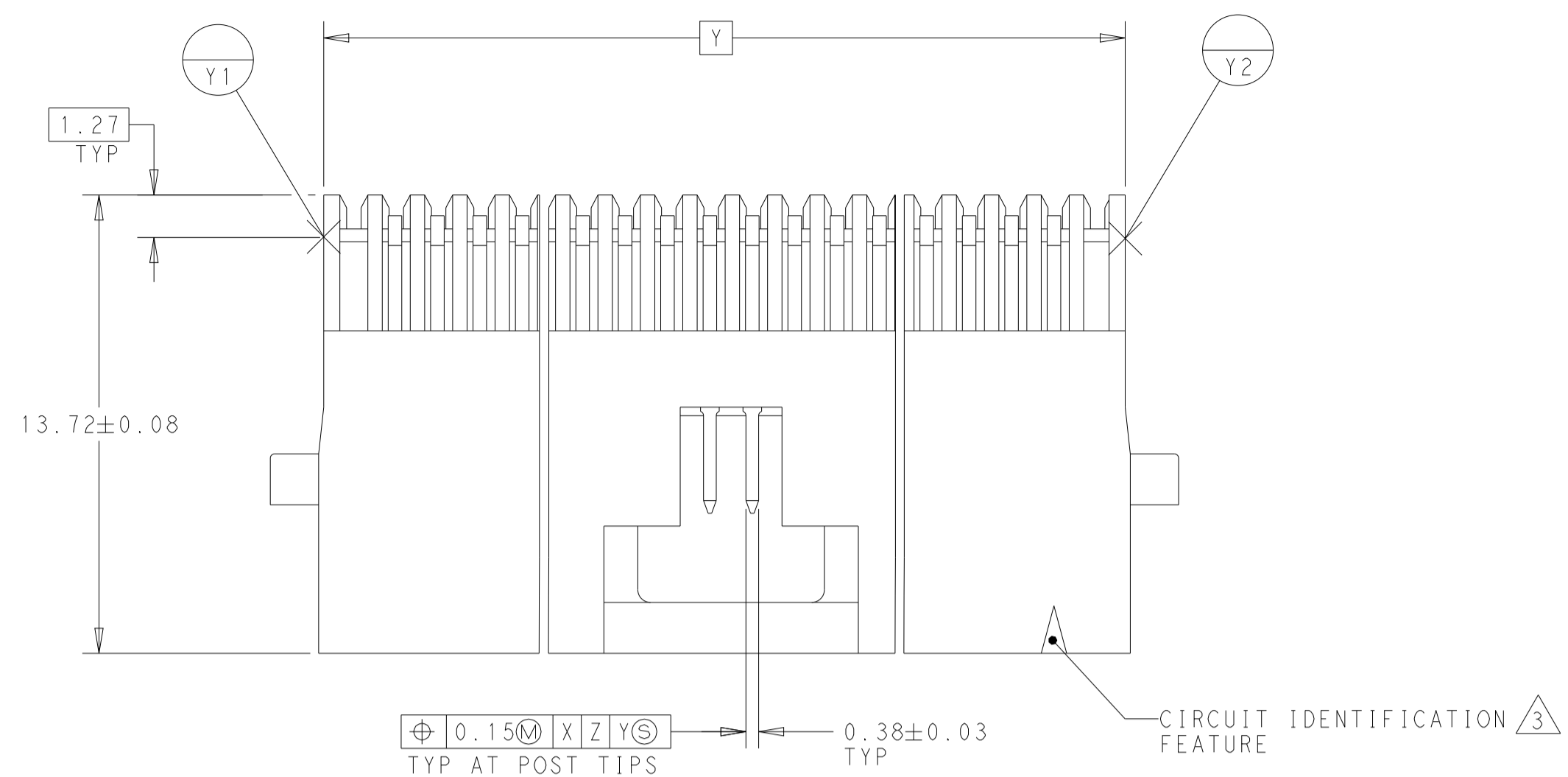
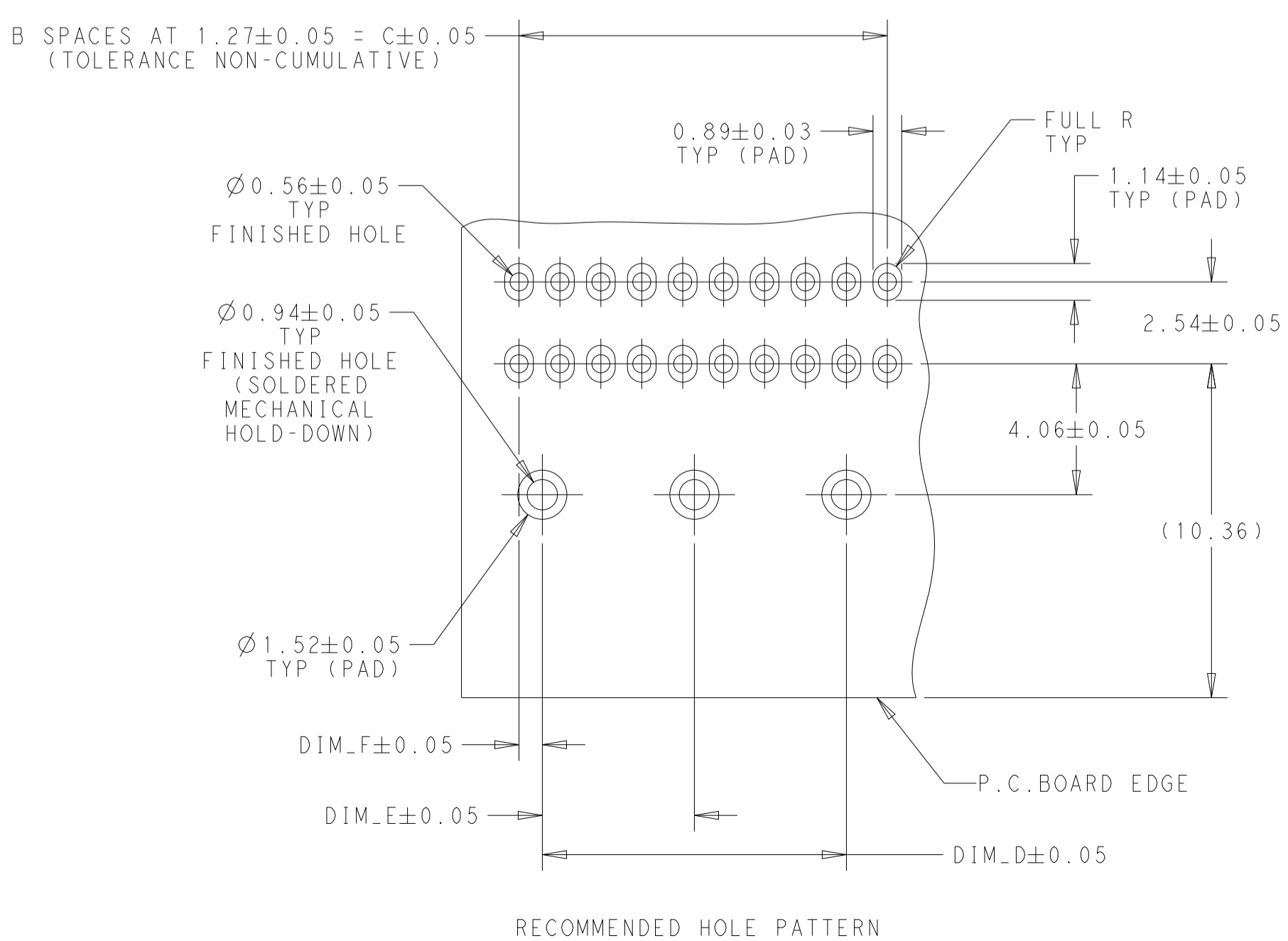
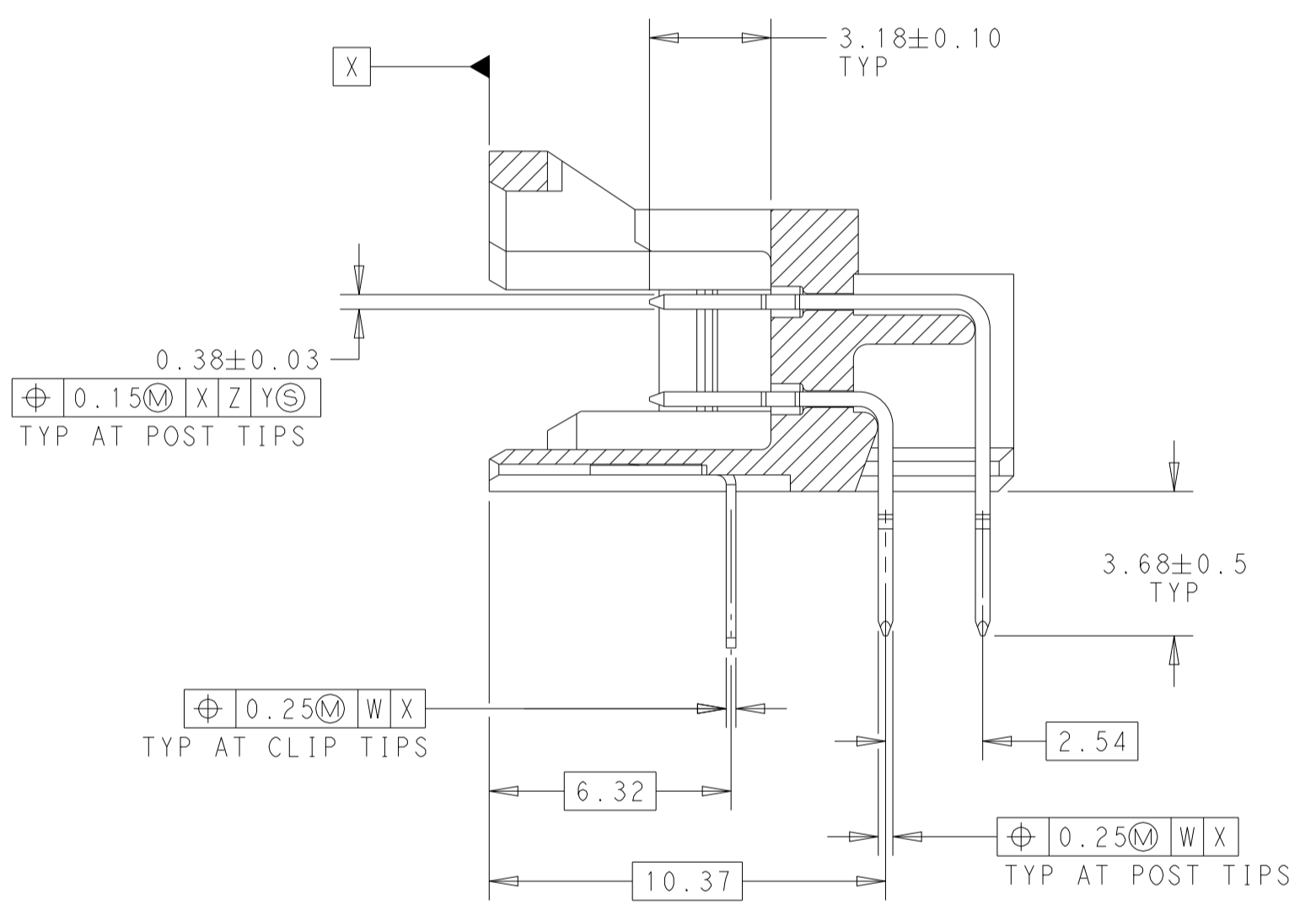
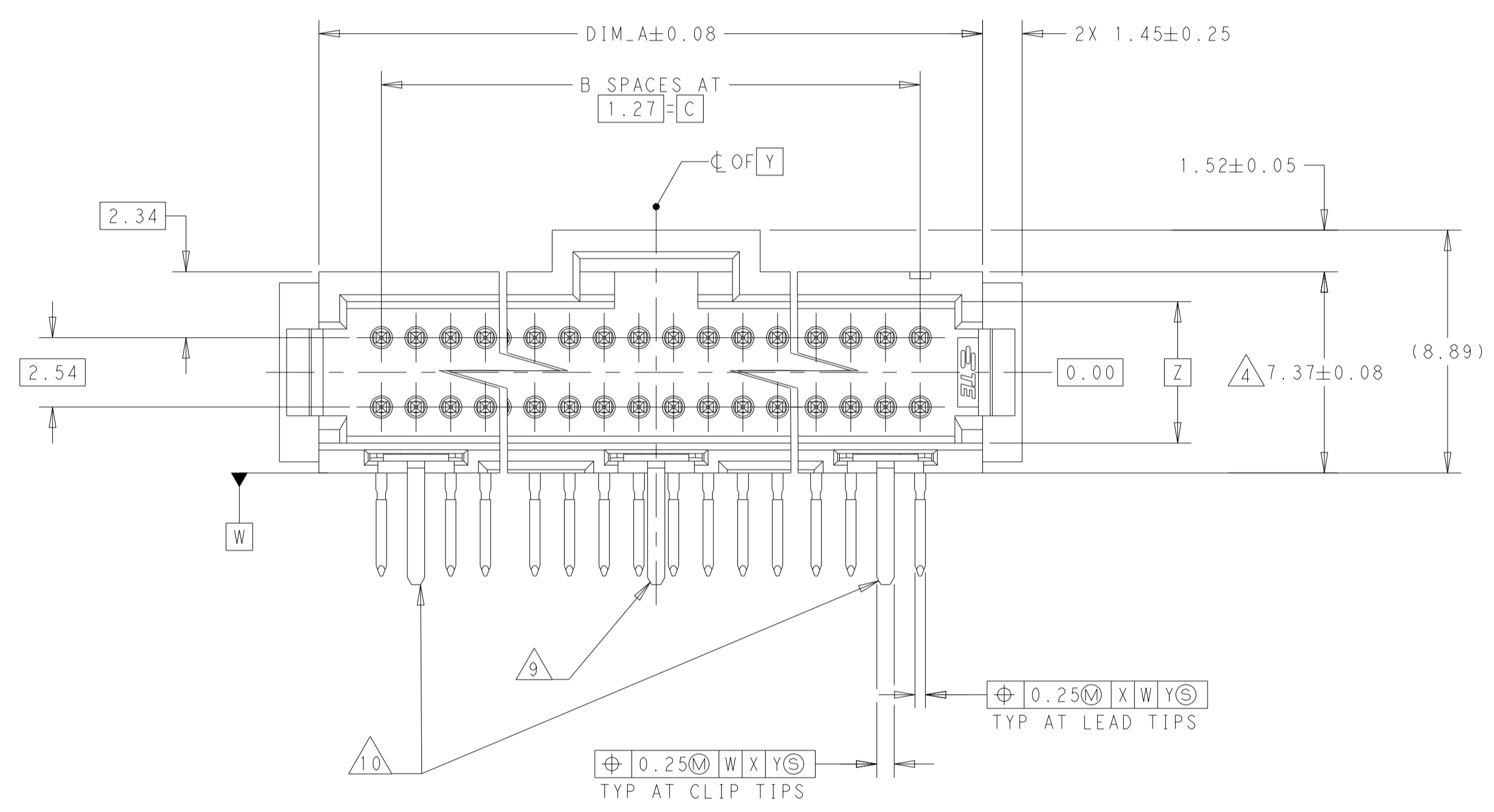


REVISIONS				
P	LTN	DESCRIPTION	DATE	OWN APVD
AA1		ECN-23-194687	19JAN2023	RK MF



- 1 CONTACT AREAS PLATED WITH 0.76μm GOLD, SOLDER TAILS PLATED WITH 3.81μm TIN-LEAD, ALL OVER 1.27μm NICKEL
2. NOTE DELETED.
- 3 CIRCUIT IDENTIFICATION FEATURE OMITTED ON 8, 10, 12, & 14 POSITION HEADER ASSEMBLIES
- 4 DIMENSIONS APPLIES AT BASE OF SHROUD
- 5 THE NOTED DIMENSIONS APPLY AT THE INTERSECTION OF THE POST AND HOUSING.
6. NOTE DELETED.
- 7 CONTACT AREAS PLATED WITH 0.76μm GOLD, SOLDER TAILS PLATED WITH 3.81μm TIN, ALL OVER 1.27μm NICKEL.
- 8 HOUSING: LCP, COLOR: BLACK  
POST: COPPER ALLOY
- 9 HOLD DOWN FEATURES LOCATED AS SHOWN FOR 8 THRU 14 & 60 THRU 100 POSN ASSEMBLIES (SEE TABLE)
- 10 HOLD DOWN FEATURES LOCATED AS SHOWN FOR 16 THRU 100 POSN ASSEMBLIES (SEE TABLE)
- 11 FINISH: 0.03μm MIN GOLD ON GOLD PLATED AREA, 3.81μm MATTE TIN LEAD ON TIN PLATED AREA. UNDER PLATING SHOULD BE 1.27μm NICKEL ON ENTIRE CONTACT.
- 12 FINISH: 0.03μm MIN GOLD ON GOLD PLATED AREA, 3.81μm MATTE TIN ON TIN PLATE AREA. UNDER PLATING SHOULD BE 1.27μm NICKEL ON ENTIRE CONTACT.
13. NOTE DELETED.
14. NOTE DELETED.



12	2.54	-	-	5.08	4	9.65	10	8-104477-2
	1.27	-	12.7	15.24	12	19.81	26	8-104477-1
	1.27	5.72	11.43	13.97	11	18.54	24	8-104477-0
	1.27	17.15	34.29	36.83	29	41.40	60	7-104477-9
	3.18	-	-	6.35	5	10.92	12	7-104477-8
	1.27	29.85	59.69	62.23	49	66.80	100	7-104477-7
	1.27	23.5	46.99	49.53	39	54.10	80	7-104477-6
	1.27	-	27.94	30.48	24	35.05	50	7-104477-5
	1.27	-	21.59	24.13	19	28.70	40	7-104477-4
	1.27	-	15.24	17.78	14	22.35	30	7-104477-3
	1.27	-	8.89	11.43	9	16.00	20	7-104477-2
	1.27	20.96	41.91	44.45	35	49.02	72	7-104477-1
11	2.54	-	-	5.08	4	9.65	10	6-104477-2
	1.27	-	12.7	15.24	12	19.81	26	6-104477-1
	1.27	5.72	11.43	13.97	11	18.54	24	6-104477-0
	1.27	17.15	34.29	36.83	29	41.40	60	5-104477-9
	3.18	-	-	6.35	5	10.92	12	5-104477-8
	1.27	29.85	59.69	62.23	49	66.80	100	5-104477-7
	1.27	23.5	46.99	49.53	39	54.10	80	5-104477-6
	1.27	-	27.94	30.48	24	35.05	50	5-104477-5
	1.27	-	21.59	24.13	19	28.70	40	5-104477-4
	1.27	-	15.24	17.78	14	22.35	30	5-104477-3
	1.27	-	8.89	11.43	9	16.00	20	5-104477-2
	1.27	20.96	41.91	44.45	35	49.02	72	5-104477-1
8	2.54	-	-	5.08	4	9.65	10	4-104477-2
	1.27	-	12.7	15.24	12	19.81	26	4-104477-1
	1.27	5.72	11.43	13.97	11	18.54	24	4-104477-0
	1.27	17.15	34.29	36.83	29	41.40	60	3-104477-9
	3.18	-	-	6.35	5	10.92	12	3-104477-8
	1.27	29.85	59.69	62.23	49	66.80	100	3-104477-7
	1.27	23.5	46.99	49.53	39	54.10	80	3-104477-6
	1.27	-	27.94	30.48	24	35.05	50	3-104477-5
	1.27	-	21.59	24.13	19	28.70	40	3-104477-4
	1.27	-	15.24	17.78	14	22.35	30	3-104477-3
	1.27	-	8.89	11.43	9	16.00	20	3-104477-2
	1.27	20.96	41.91	44.45	35	49.02	72	3-104477-1

FINISH	DIM_F	DIM_E	DIM_D	DIM_C	B SPACES	DIM_A	NO OF POSN	PART NUMBER
11	2.54	-	-	5.08	4	9.65	10	3-104477-2
	1.27	-	12.7	15.24	12	19.81	26	3-104477-1
	1.27	5.72	11.43	13.97	11	18.54	24	3-104477-0
	1.27	17.15	34.29	36.83	29	41.40	60	2-104477-9
	3.18	-	-	6.35	5	10.92	12	2-104477-8
	1.27	29.85	59.69	62.23	49	66.80	100	2-104477-7
	1.27	23.5	46.99	49.53	39	54.10	80	2-104477-6
	1.27	-	27.94	30.48	24	35.05	50	2-104477-5
	1.27	-	21.59	24.13	19	28.70	40	2-104477-4
	1.27	-	15.24	17.78	14	22.35	30	2-104477-3
	1.27	-	8.89	11.43	9	16.00	20	2-104477-2
	1.27	20.96	41.91	44.45	35	49.02	72	2-104477-1
1	2.54	-	-	5.08	4	9.65	10	1-104477-2
	1.27	-	12.7	15.24	12	19.81	26	1-104477-1
	1.27	5.72	11.43	13.97	11	18.54	24	1-104477-0
	1.27	17.15	34.29	36.83	29	41.40	60	104477-9
	3.18	-	-	6.35	5	10.92	12	104477-8
	1.27	29.85	59.69	62.23	49	66.80	100	104477-7
	1.27	23.5	46.99	49.53	39	54.10	80	104477-6
	1.27	-	27.94	30.48	24	35.05	50	104477-5
	1.27	-	21.59	24.13	19	28.70	40	104477-4
	1.27	-	15.24	17.78	14	22.35	30	104477-3
	1.27	-	8.89	11.43	9	16.00	20	104477-2
	1.27	20.96	41.91	44.45	35	49.02	72	104477-1

THIS DRAWING IS A CONTROLLED DOCUMENT.

APVD: J. OLSON, ZONOV2017

DATE: 20NOV2017

NAME: J. OLSON, ZONOV2017

PRODUCT SPEC: 108-1093

APPLICATION SPEC: 114-25031

WEIGHT: -

CUSTOMER DRAWING

SCALE: 6:1

SHEET: 1 OF 1

REV: AA1

TE Connectivity

HEADER ASSEMBLY, RIGHT ANGLE, DOUBLE ROW, W/SIDE & END LATCHES, AMPMODU System 50

SIZE: A1

100779

104477