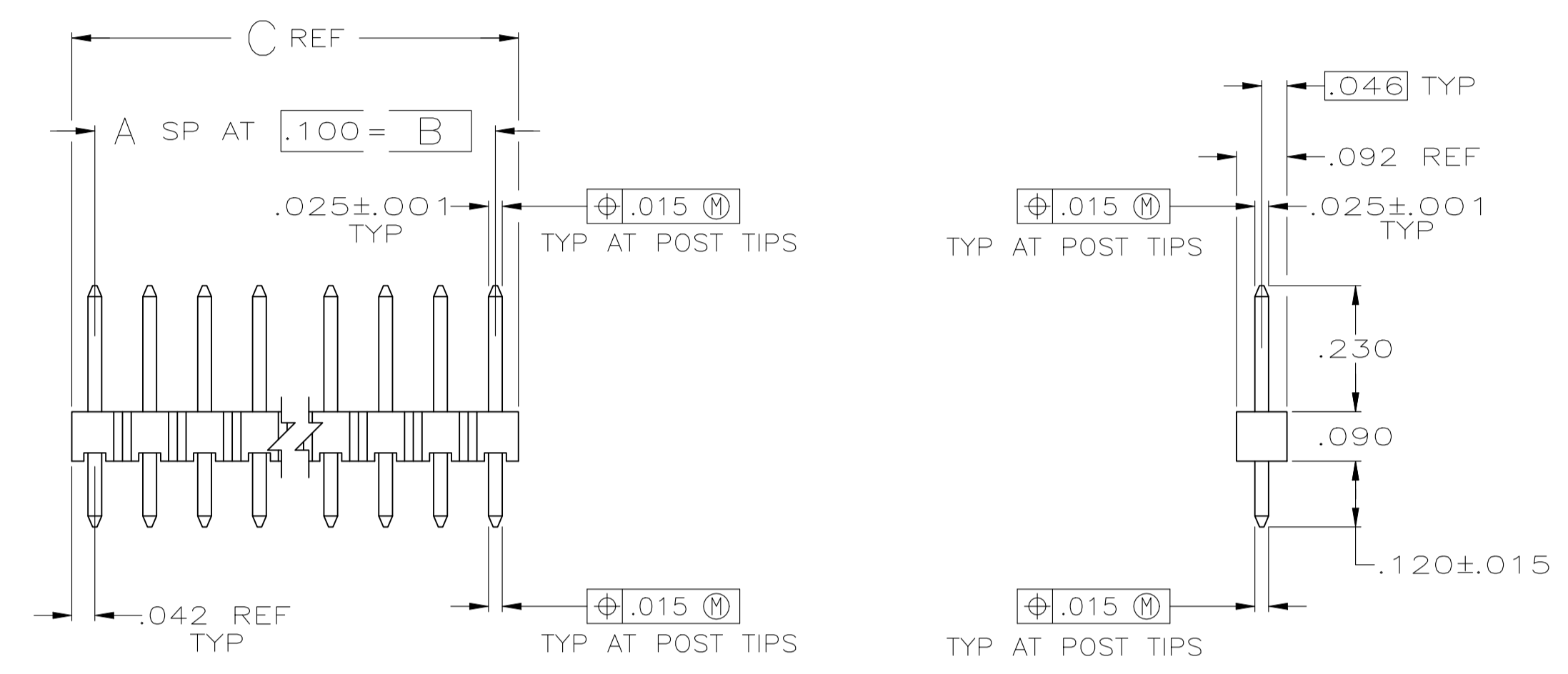
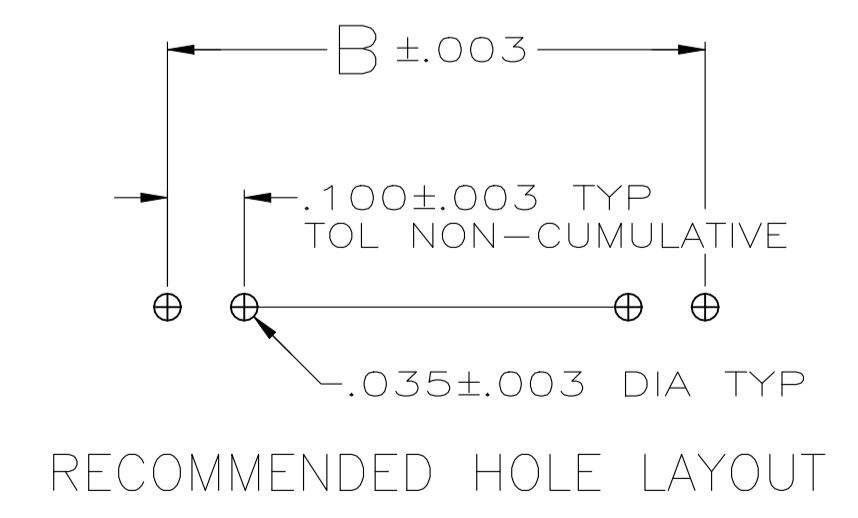


REVISIONS					
P	LTR	DESCRIPTION	DATE	DN	APVO
T1	REVISED PER	ECN-22-186741	23JAN2023	RK	MF



- 1 TRUE POSITION TOLERANCE OF THE POST TIPS APPLIES WHEN THE HEADERS ARE HELD FLAT AGAINST THE PRINTED CIRCUIT BOARD
- 2 ASSEMBLY MAY BE BROKEN TO THE DESIRED NUMBER OF POSITIONS
- 3 PARTS PACKAGED IN TUBES.
- 4 .000100-.000200 MATTE TIN-LEAD OVER .000050 NICKEL.
- 5 .000100-.000200 BRIGHT TIN OVER .000050 NICKEL.
- 6 PRELIMINARY PART - NOT RELEASED FOR PRODUCTION.
- 7 HOUSING MATERIAL: FLAME RETARDANT THERMOPLASTIC; COLOR-BLACK.
- 8 OBSOLETE PARTS: OBSOLETE CIS STREAMLINING PER D.RENAUD/D.SINISI



△	△	.484	.400	4	5	5-103327-4
△	△	3.584	3.500	35	36	5-103327-3
△	△	1.584	1.500	15	16	5-103327-2
△	△	.384	.300	3	4	5-103327-1
△	△	1.384	1.300	13	14	5-103327-0
△	△	3.984	3.900	39	40	4-103327-9
△	△	.984	.900	9	10	4-103327-8
△	△	.784	.700	7	8	4-103327-7
△	△	.584	.500	5	6	4-103327-6
△	△	.284	.200	2	3	4-103327-5
△	△	.184	.100	1	2	4-103327-4
△	△	.084	—	—	—	4-103327-3
△	△	1.184	1.100	11	12	4-103327-2
△	△	1.084	1.000	10	11	4-103327-1
△	△	3.984	3.900	39	40	4-103327-0
△	△	3.884	3.800	38	39	3-103327-9
△	△	3.784	3.700	37	38	3-103327-8
△	△	3.684	3.600	36	37	3-103327-7
△	△	3.584	3.500	35	36	3-103327-6
△	△	3.484	3.400	34	35	3-103327-5
△	△	3.384	3.300	33	34	3-103327-4
△	△	3.284	3.200	32	33	3-103327-3
△	△	3.184	3.100	31	32	3-103327-2
△	△	3.084	3.000	30	31	3-103327-1
△	△	2.984	2.900	29	30	3-103327-0
△	△	2.884	2.800	28	29	2-103327-9
△	△	2.784	2.700	27	28	2-103327-8
△	△	2.684	2.600	26	27	2-103327-7
△	△	2.584	2.500	25	26	2-103327-6
△	△	2.484	2.400	24	25	2-103327-5
△	△	2.384	2.300	23	24	2-103327-4
△	△	2.284	2.200	22	23	2-103327-3
△	△	2.184	2.100	21	22	2-103327-2
△	△	2.084	2.000	20	21	2-103327-1
△	△	1.984	1.900	19	20	2-103327-0
△	△	1.884	1.800	18	19	1-103327-9
△	△	1.784	1.700	17	18	1-103327-8
△	△	1.684	1.600	16	17	1-103327-7
△	△	1.584	1.500	15	16	1-103327-6
△	△	1.484	1.400	14	15	1-103327-5
△	△	1.384	1.300	13	14	1-103327-4
△	△	1.284	1.200	12	13	1-103327-3
△	△	1.184	1.100	11	12	1-103327-2
△	△	1.084	1.000	10	11	1-103327-1
△	△	.984	.900	9	10	1-103327-0
△	△	.884	.800	8	9	103327-9
△	△	.784	.700	7	8	103327-8
△	△	.684	.600	6	7	103327-7
△	△	.584	.500	5	6	103327-6
△	△	.484	.400	4	5	103327-5
△	△	.384	.300	3	4	103327-4
△	△	.284	.200	2	3	103327-3
△	△	.184	.100	1	2	103327-2
△	△	.084	—	—	1	103327-1

PLATING	C	B	A	NO OF POSN	PART NUMBER

THIS DRAWING IS A CONTROLLED DOCUMENT.		DIN J.MARTINELLI 10/15/92	
DIMENSIONS: INCHES		CIR JOHN KNITTLE 23NOV92	
TOLERANCES UNLESS OTHERWISE SPECIFIED:		APVO B.FLINCHBAUGH 23NOV92	
0 PLC ± -	1 PLC ± -	NAME ASSY. HEADER, B/A, MOD II, SINGLE ROW, .100 C/L, VERTICAL WITH .025 SQUARE POSTS	
2 PLC ± -	3 PLC ± .005	APPLICATION SPEC	
4 PLC ± -	ANGLES ± -	SIZE A1	CAGE CODE 00779
MATERIAL POST: COPPER ALLOY	FINISH SEE TABLE	WEIGHT -	DRAWING NO. 103327
CUSTOMER DRAWING		SCALE 4:1	SHEET 1 OF 1