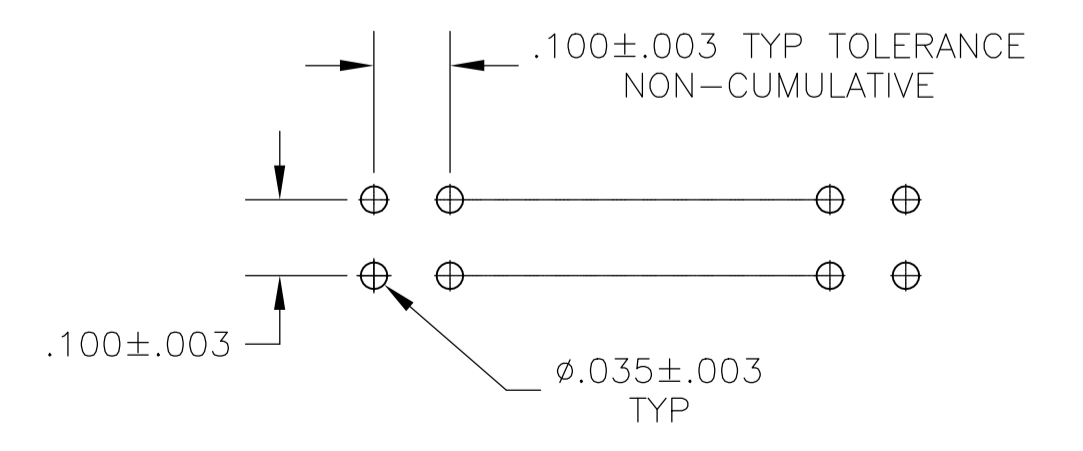
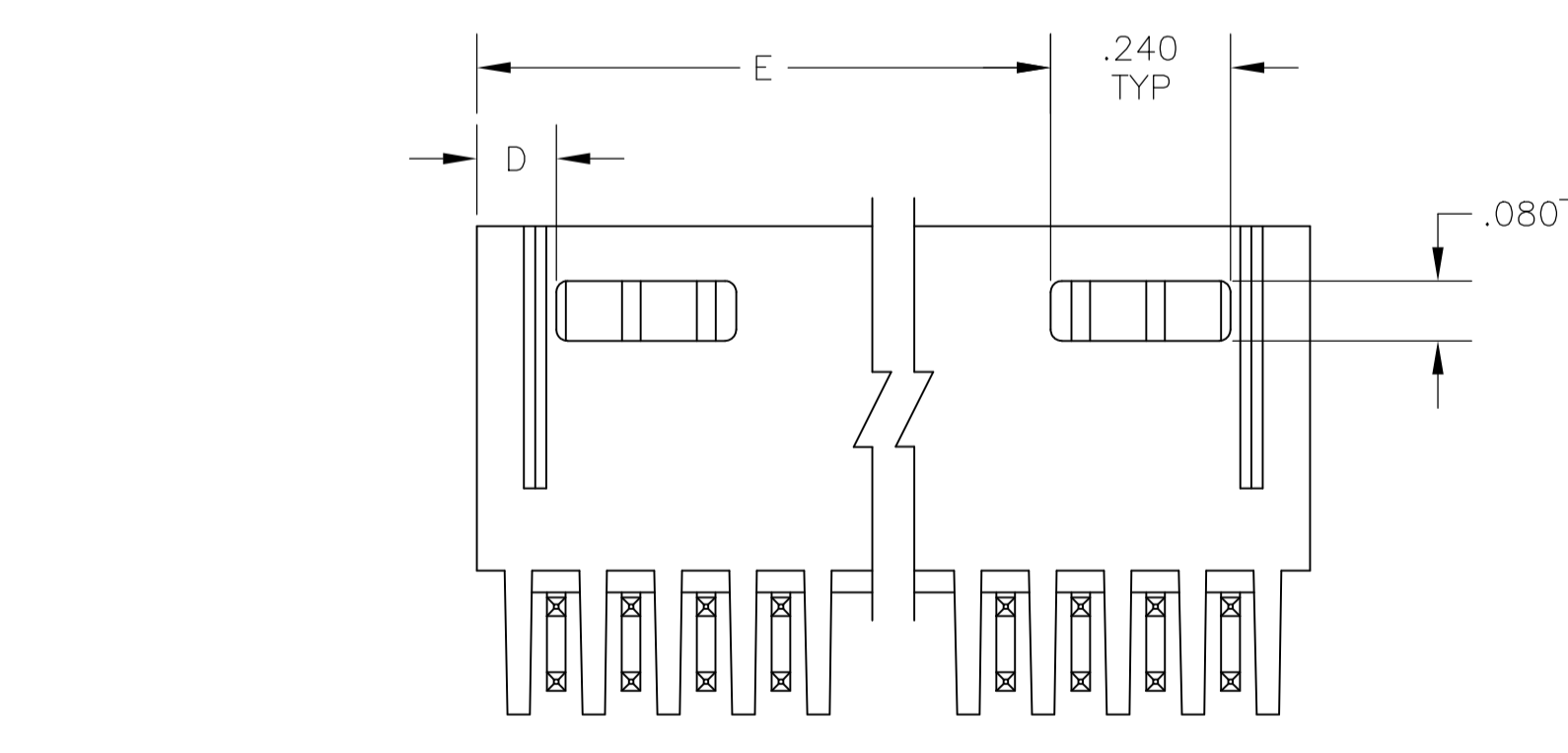
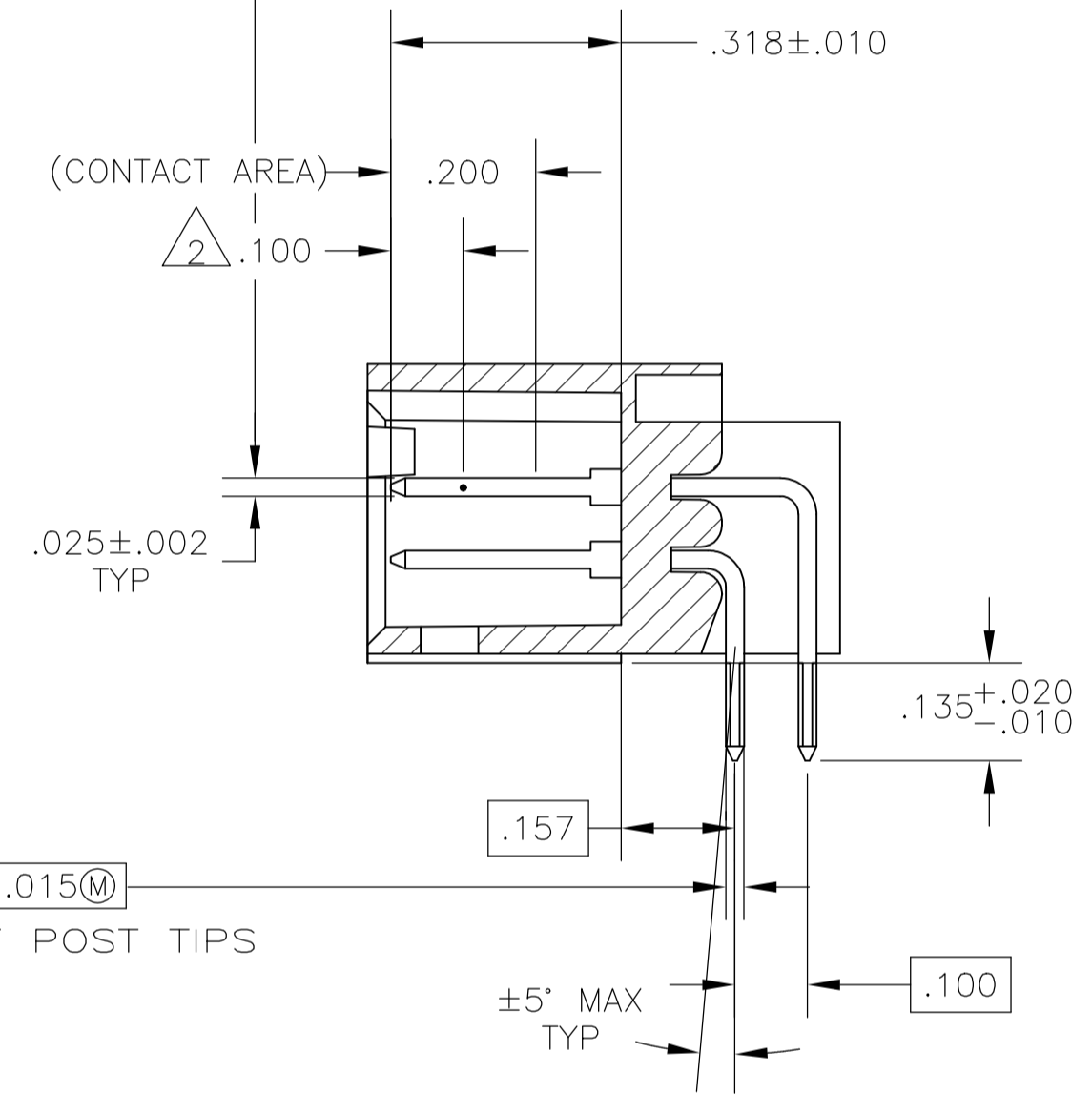
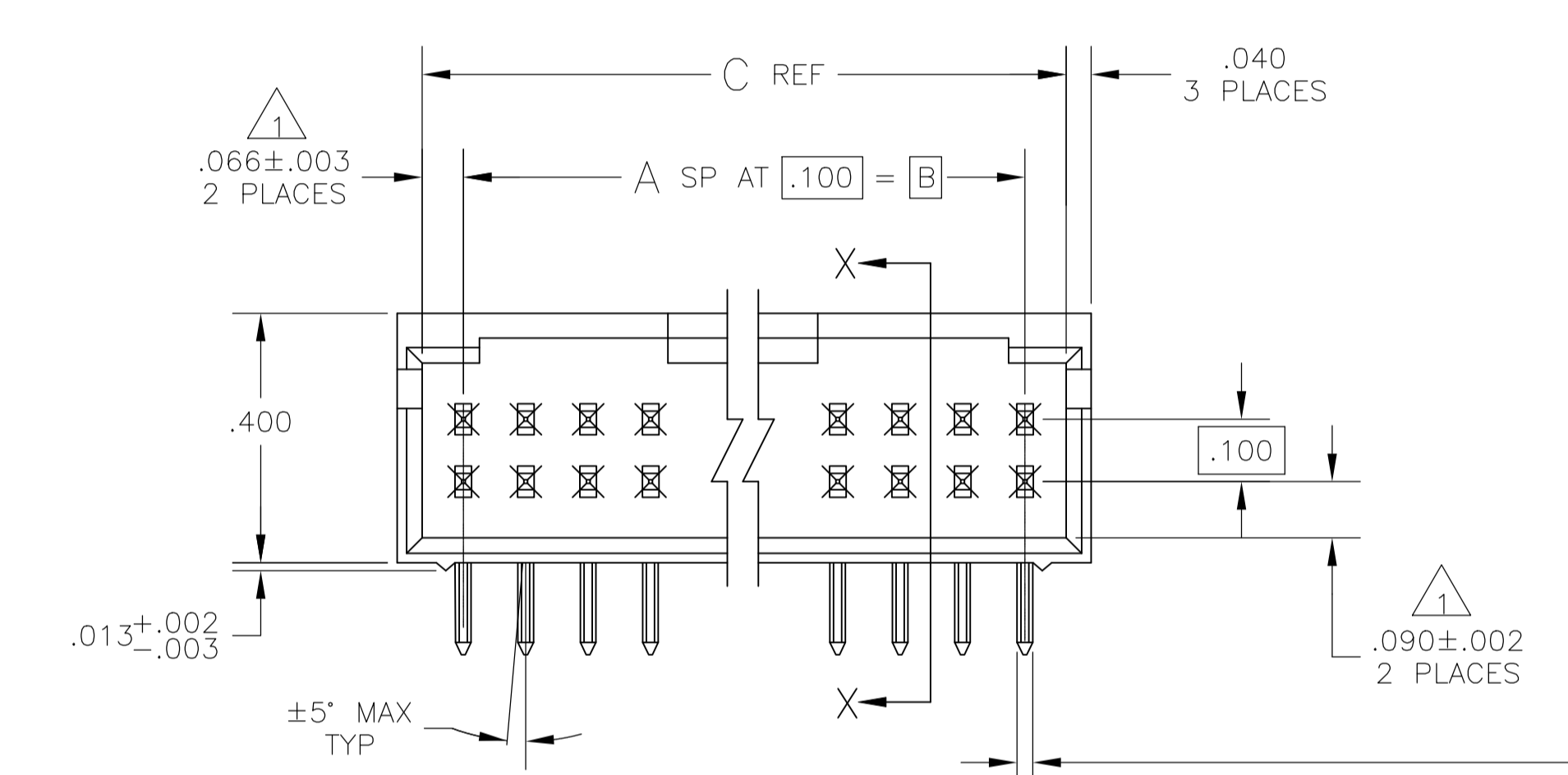
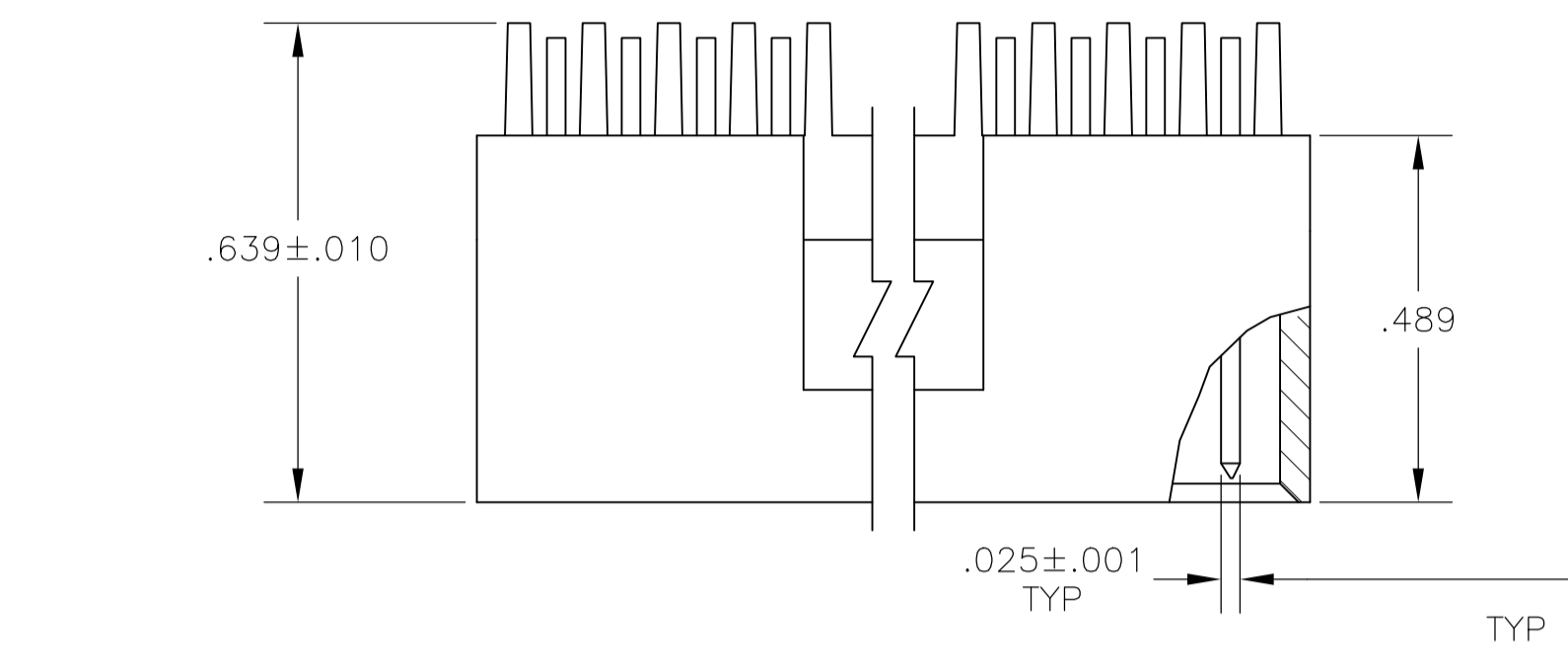


REVISIONS				
P	LTR	DESCRIPTION	DATE	APPD
K3		PART STATUS UPDATED IN PART LIST TABLE	19FEB2018	SD PS

- 1 THE NOTED DIMENSION APPLIES AT THE INTERSECTION OF THE POST AND HOUSING
- 2 POINT OF MEASUREMENT FOR PLATING THICKNESS.
- 3 PACKAGED IN SINGLE TUBES
- 4 POSTS: .000030 GOLD IN CONTACT AREA .000100-.000200 MATTE TIN LEAD ON SOLDER TAIL, ALL OVER .000050 NICKEL
- 5 POSTS: .000030 GOLD IN CONTACT AREA .000100-.000200 MATTE TIN ON SOLDER TAIL, ALL OVER .000050 NICKEL
- 6 OBSOLETE PARTS: OBSOLETE CIS STREAMLINING PER D.RENAUD/D.SINISI



RECOMMENDED HOLE LAYOUT

PLATING	E	D	C	B	A	NO OF POSN	ASSEMBLY PART NUMBER
6	3	6	6	6	6	6	8-103166-6
6	6	6	6	6	6	6	8-103166-5
6	6	6	6	6	6	6	8-103166-4
6	6	6	6	6	6	6	8-103166-3
6	6	6	6	6	6	6	8-103166-2
6	6	6	6	6	6	6	8-103166-1
6	6	6	6	6	6	6	8-103166-0
6	6	6	6	6	6	6	7-103166-9
6	6	6	6	6	6	6	7-103166-8
6	6	6	6	6	6	6	7-103166-7
6	6	6	6	6	6	6	7-103166-6
6	6	6	6	6	6	6	7-103166-5
6	6	6	6	6	6	6	7-103166-4
6	6	6	6	6	6	6	7-103166-3
6	6	6	6	6	6	6	7-103166-2
6	6	6	6	6	6	6	7-103166-1
6	6	6	6	6	6	6	7-103166-0
6	6	6	6	6	6	6	6-103166-9
6	6	6	6	6	6	6	6-103166-8
6	6	6	6	6	6	6	6-103166-7
6	6	6	6	6	6	6	6-103166-6
6	6	6	6	6	6	6	6-103166-5
6	6	6	6	6	6	6	6-103166-4
6	6	6	6	6	6	6	6-103166-3
6	6	6	6	6	6	6	6-103166-2
6	6	6	6	6	6	6	6-103166-1
6	6	6	6	6	6	6	6-103166-0
6	6	6	6	6	6	6	5-103166-9
6	6	6	6	6	6	6	5-103166-8
6	6	6	6	6	6	6	5-103166-7
6	6	6	6	6	6	6	5-103166-6
6	6	6	6	6	6	6	5-103166-5
6	6	6	6	6	6	6	5-103166-4
6	6	6	6	6	6	6	5-103166-3
6	6	6	6	6	6	6	5-103166-2
6	6	6	6	6	6	6	5-103166-1
6	6	6	6	6	6	6	5-103166-0
6	6	6	6	6	6	6	3-103166-6
6	6	6	6	6	6	6	3-103166-5
6	6	6	6	6	6	6	3-103166-4
6	6	6	6	6	6	6	3-103166-3
6	6	6	6	6	6	6	3-103166-2
6	6	6	6	6	6	6	3-103166-1
6	6	6	6	6	6	6	3-103166-0
6	6	6	6	6	6	6	2-103166-9
6	6	6	6	6	6	6	2-103166-8
6	6	6	6	6	6	6	2-103166-7
6	6	6	6	6	6	6	2-103166-6
6	6	6	6	6	6	6	2-103166-5
6	6	6	6	6	6	6	2-103166-4
6	6	6	6	6	6	6	2-103166-3
6	6	6	6	6	6	6	2-103166-2
6	6	6	6	6	6	6	2-103166-1
6	6	6	6	6	6	6	2-103166-0
6	6	6	6	6	6	6	1-103166-9
6	6	6	6	6	6	6	1-103166-8
6	6	6	6	6	6	6	1-103166-7
6	6	6	6	6	6	6	1-103166-6
6	6	6	6	6	6	6	1-103166-5
6	6	6	6	6	6	6	1-103166-4
6	6	6	6	6	6	6	1-103166-3
6	6	6	6	6	6	6	1-103166-2
6	6	6	6	6	6	6	1-103166-1
6	6	6	6	6	6	6	1-103166-0
6	6	6	6	6	6	6	103166-9
6	6	6	6	6	6	6	103166-8
6	6	6	6	6	6	6	103166-7
6	6	6	6	6	6	6	103166-6
6	6	6	6	6	6	6	103166-5
6	6	6	6	6	6	6	103166-4
6	6	6	6	6	6	6	103166-3
6	6	6	6	6	6	6	103166-2
6	6	6	6	6	6	6	103166-1

THIS DRAWING IS A CONTROLLED DOCUMENT.

DIMENSIONS: INCHES	TOLERANCES UNLESS OTHERWISE SPECIFIED:	0 PLC ± .005	1 PLC ± .005	2 PLC ± .005	3 PLC ± .005	4 PLC ± .005	ANGLES ± .005
--------------------	--	--------------	--------------	--------------	--------------	--------------	---------------

MATERIAL: HOUSING: PLATE RETARDANT THERMOPLASTIC; COLOR: BLACK; POSTS: PHOS BRONZE; FINISH: SEE TABLE

TE Connectivity
HDR ASSY, MOD II, SHROUDED, 4 SIDES, DBL ROW, .100X.100 WITH .025 SQ POSTS

SCALE: 4:1 SHEET 1 OF 1 REV: K3